



Rio "B" - Universal adapter

This floodlight's special design represents an effective complement to the decoration of the interior in which it is installed.

Ideal for commercial premises where lighting is used for many hours a day, or in areas characterised by high-quality, stable-colour functional and accent lighting.

Housing: in die-cast aluminium.

Reflector: in die-cast polished aluminium, high efficiency and anti-glare.

Standard supply: Supplied with universal adapter in track mounted versions.

Coating: Power-coated with a UV-resistant polyester epoxy paint.

Regulations: Manufactured in accordance with EN 60598-1-CEI 34.21 standards. Degrees of protection in accordance with EN60529 standards.

Luminous flux maintenance 80%: 50.000h (L80B20).

Power factor >0.9

Photobiological safety class: exempt group EN62471.

On request: version with CASAMBI advanced home automation lighting control system (max. 40W).

On request: version CLD CELLD-DIG (DALI)

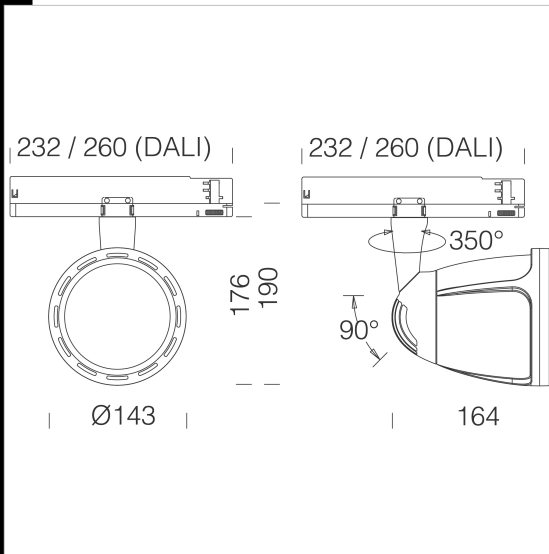
Download

DXF 2D

- rlob.dxf

Montaggi

- RIO rev5.pdf



Code	Gear	Kg	Lumen Output-K-CRI	WTot	Colour
22106110-00	CLD CELL	1.85	LED COB-3286lm-3000K-45°-CRI>95	40 W	WHITE
22106130-00	CLD CELL	1.85	LED COB-3286lm-3000K-45°-CRI>95	40 W	BLACK
22106170-00	CLD CELL	1.16	LED COB-3286lm-3000K-45°-CRI>95	40 W	SILVER
22106111-00	CLD CELL	1.85	LED COB-3466lm-4000K-45°-CRI>95	40 W	WHITE
22106131-00	CLD CELL	1.85	LED COB-3466lm-4000K-45°-CRI>95	40 W	BLACK
22106171-00	CLD CELL	1.85	LED COB-3466lm-4000K-45°-CRI>95	40 W	SILVER

The reported luminous flux is the flux emitted by the light source with a tolerance of ± 10% compared to the indicated value. The W tot column indicates the total wattage absorbed by the system without exceeding 10% of the indicated