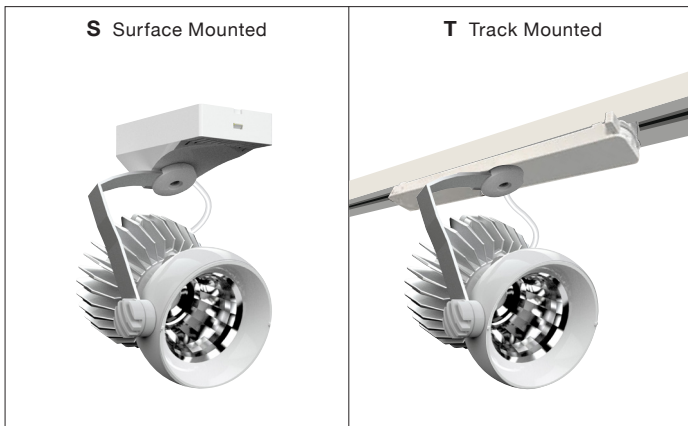


KSP6

Spotlight



SPOTLIGHT OPTIONS



TECHNICAL

Total Energy Consumption P_L (W) – Refer LED Performance Guide	
Weight – Surface Mounted (integral driver)	1200gms
Weight – Track Mounted	1120gms
IEC 60598 – parts 1 and 2	Complies
AS/NZS60598 – parts 1 and 2	Complies
IP Rating	IP20

STANDARD DIMMING OPTIONS AVAILABLE

Surface Spotlight	Track Spotlight
D1 DALI (250mA–700mA)	D1 DALI (350mA–1050mA)
D3 Analogue Dim (250mA–700mA)	D9 Casambi (350mA–700mA available on request)
D4 Phase Cutting (250mA–500mA)	
D6 Push Dim (250mA–700mA)	

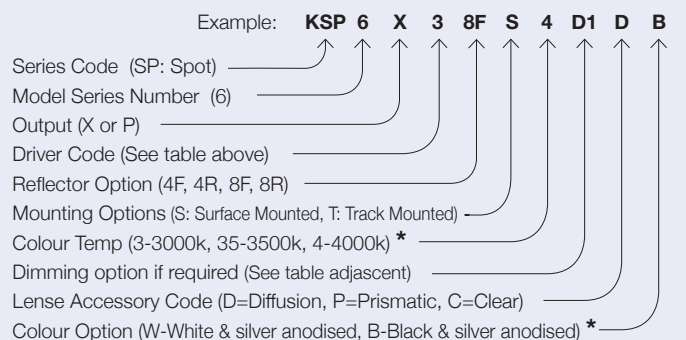
LED PERFORMANCE GUIDE – KSP6 Series

Wide Beam Option (8) – Narrow Beam Option (4) may vary $\pm 2\%$
X = 90CRI, 2 step SDCM **P** = 80CRI, 3 step SDCM **LED** Life Hrs $\geq 75,000$ @ L90/B10

Watts (W)	Driver current (mA)	Colour Temp 3 (3000k) 35 (3500k) 4 (4000k)	Output Lumens		Efficacy lm/W (delivered)		R9 Value	
			X (KSP6X)	P (KSP6P)	X (KSP6X)	P (KSP6P)	X (KSP6X)	P (KSP6P)
10	2 (250)	3	1099	1111	116	117	55	15
		35	1099	N/A	116	N/A	55	N/A
		4	1112	1313	117	138	55	15
14	3 (350)	3	1512	1529	108	109	55	15
		35	1512	N/A	108	N/A	55	N/A
		4	1530	1807	109	129	55	15
20	5 (500)	3	2127	2150	110	111	55	15
		35	2127	N/A	110	N/A	55	N/A
		4	2152	2542	112	132	55	15
28	7 (700)	3	2961	2992	110	111	55	15
		35	2961	N/A	110	N/A	55	N/A
		4	2995	3538	111	131	55	15
35*	9 (900)	3	3608	3647	103	104	55	15
		35	3608	N/A	103	N/A	55	N/A
		4	3650	4311	104	123	55	15
41*	10 (1050)	3	4171	4216	104	105	55	15
		35	4171	N/A	104	N/A	55	N/A
		4	4220	4985	106	125	55	15

– Figures may be extrapolated / interpolated from data at other currents and may vary $\pm 2.5\%$
 – Output Lumens : Delivered lumen output from downlight, including thermal, electrical and optic losses.
 * Track mounted version ONLY





ORDERING CODE FORMAT

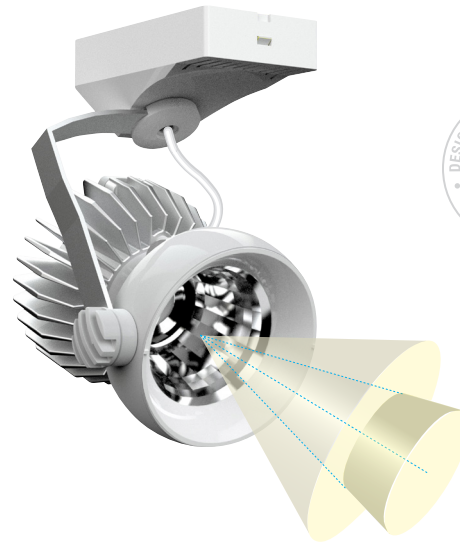


* Other colours available on request

Options




REFLECTOR OPTIONS Can be fitted to chassis after installation

<p>4F</p>  <p>30° Beam Angle</p> <p>Narrow Beam – Flush Reflector</p>	<p>4R</p>  <p>30° Beam Angle</p> <p>Narrow Beam – Recessed Reflector</p>
<p>8F</p>  <p>70° Beam Angle</p> <p>Wide Beam – Flush Reflector</p>	<p>8R</p>  <p>70° Beam Angle</p> <p>Wide Beam – Recessed Reflector</p>



COLOUR OPTIONS

White as standard (default)

		
W	B	S*
White	Black	Special

(*Other colours available on request)

Lens Accessories (Can be fitted to chassis after installation)

P Prismatic

D Diffusion

C Clear

Flush Lenses (Other colours available on request)

P Prismatic

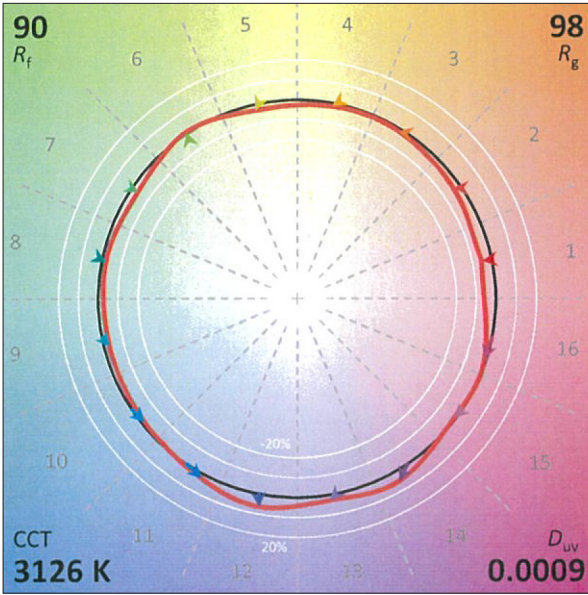
D Diffusion

C Clear

Recessed Lenses (Other colours available on request)

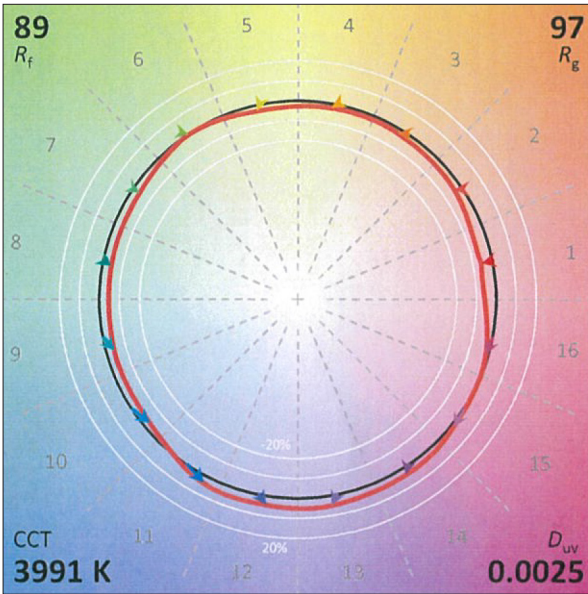
TM30 Colour Rendition Report

Excel 3000k



CIE 13.3-1995 (CRI)	
R_a	92
R_g	58

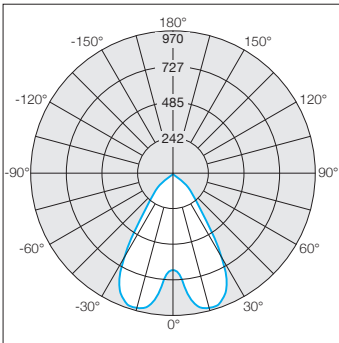
Excel 4000k



CIE 13.3-1995 (CRI)	
R_a	90
R_g	55

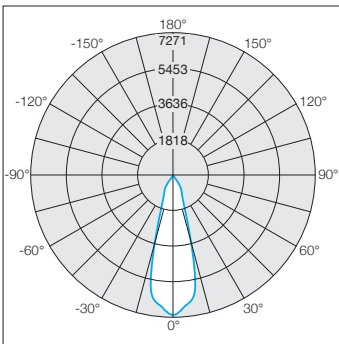
Photometrics

KSP6X28R4 Recessed Wide Beam



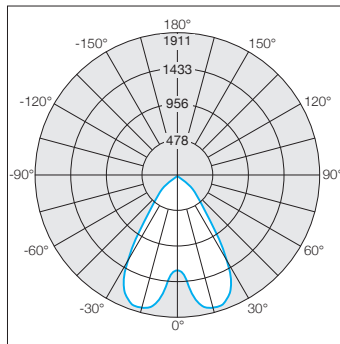
Total Energy Consumption P_t (W) 10W
Total Lumen Output 1099 Lm (116Lm/W)
4000k

KSP6X54R4 Recessed Narrow Beam



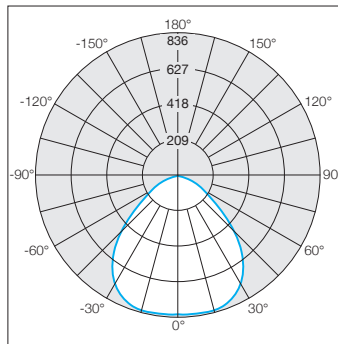
Total Energy Consumption P_t (W) 19W
Total Lumen Output 1943 Lm (101Lm/W)
4000k

KSP6X58R4 Recessed Wide Beam



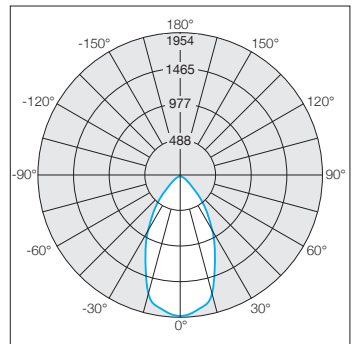
Total Energy Consumption P_t (W) 19W
Total Lumen Output 2152 Lm (112Lm/W)
4000k

KSP6X58R4D Recessed Wide Diffusion



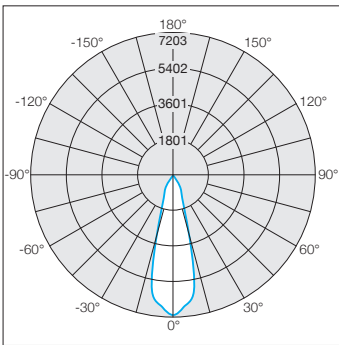
Total Energy Consumption P_t (W) 19W
Total Lumen Output 1832 Lm (97Lm/W)
4000k

KSP6X58R4P Recessed Wide Prismatic



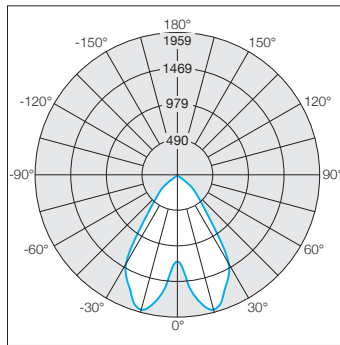
Total Energy Consumption P_t (W) 19W
Total Lumen Output 1711 Lm (89Lm/W)
4000k

KSP6X54F4 Flush Narrow Beam



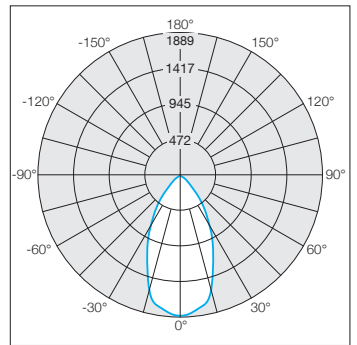
Total Energy Consumption P_t (W) 19W
Total Lumen Output 1994 Lm (104Lm/W)
4000k

KSP6X58F4 Flush Wide Beam



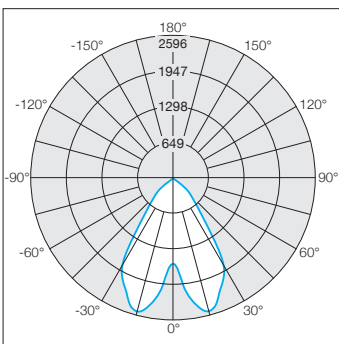
Total Energy Consumption P_t (W) 19W
Total Lumen Output 2120 Lm (110Lm/W)
4000k

KSP6X58F4P Flush Wide Prismatic



Total Energy Consumption P_t (W) 19W
Total Lumen Output 1776 Lm (92Lm/W)
4000k

KSP6X78R4 Recessed Wide Beam



Total Energy Consumption P_t (W) 28W
Total Lumen Output 2995 Lm (111Lm/W)
4000k