

**NEW QUARTO DI SFERA LED**  
COD: E8541-LBC

Use:  
Outside, led

Installation:  
Wall mounted

Body/structure:  
EN AB-47100 Die-cast aluminium body

Coating:  
Polyester powder coating with special treatment for outdoor use (sandblasting, pickling, n.3 washings, epoxy powder coating and surface finish in polyester powder).

Colour:  
Black

Optic/reflector:  
99,8% pure aluminium reflector

Equipment:  
Silicon rubber gaskets

Glass/diffuser:  
Frosted tempered glass

Gland:  
Silicon rubber cable gland PG11

Control gear:  
Integrated LED diodes ballast, stabilized output current 700mA dc

Voltage: 220-240V 50/60Hz

Beam: Simmetric flood beam

Power factor correction: Yes

Insulation class: Insulation class 1

Weight: 4,500 kg

Glow wire: 850 °C

Lamp included: YES

LED Type: SMD LED

Luminaire wattage: 39 W

Luminaire luminous flux: 3149.7 lm

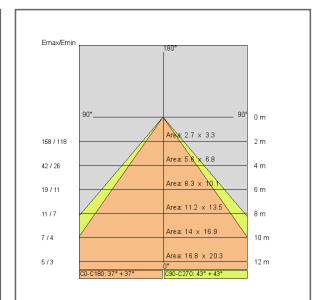
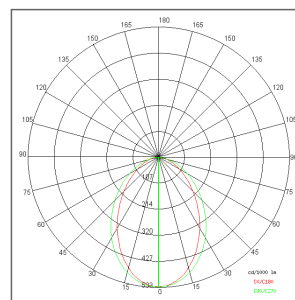
LED rated life: 50000 hours L80 B50

Colour temperature: 3000K

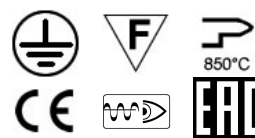
CRI: 80

Chromacy constancy: 4 SDCM

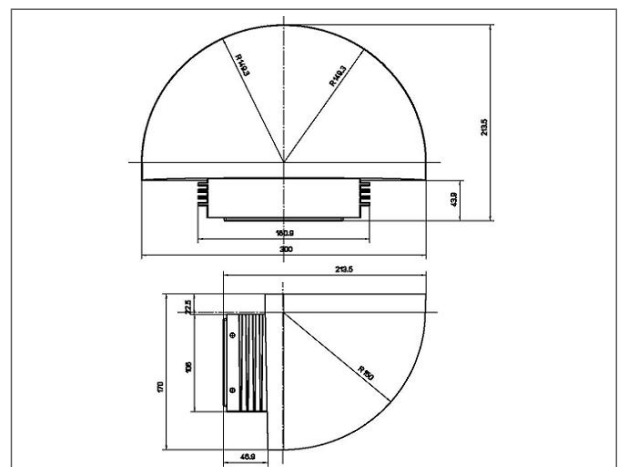
Review board: 2017-08-11



LAMP: 1 x LED 35 W 3150 lm



IK 6 IP 65 A+ RG0



**NEW QUARTO DI SFERA LED**  
COD: E8541-LBI

Use:  
Outside, led

Installation:  
Wall mounted

Body/structure:  
EN AB-47100 Die-cast aluminium body

Coating:  
Polyester powder coating with special treatment for outdoor use (sandblasting, pickling, n.3 washings, epoxy powder coating and surface finish in polyester powder).

Colour:  
Black

Optic/reflector:  
99,8% pure aluminium reflector

Equipment:  
Silicon rubber gaskets

Glass/diffuser:  
Frosted tempered glass

Gland:  
Silicon rubber cable gland PG11

Control gear:  
Integrated LED diodes ballast, stabilized output current 700mA dc

Voltage: 220-240V 50/60Hz

Beam: Simmetric flood beam

Power factor correction: Yes

Insulation class: Insulation class 1

Weight: 4,500 kg

Glow wire: 850 °C

Lamp included: YES

LED Type: SMD LED

Luminaire wattage: 39 W

Luminaire luminous flux: 3499.7 lm

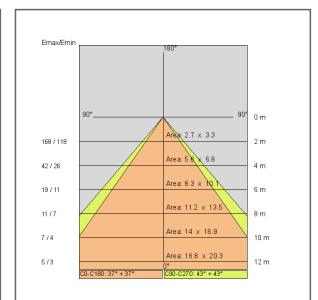
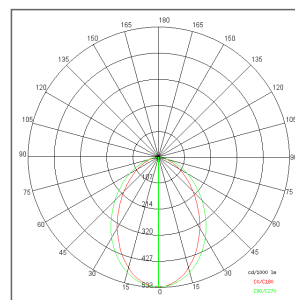
LED rated life: 50000 hours L80 B50

Colour temperature: 6000K

CRI: 80

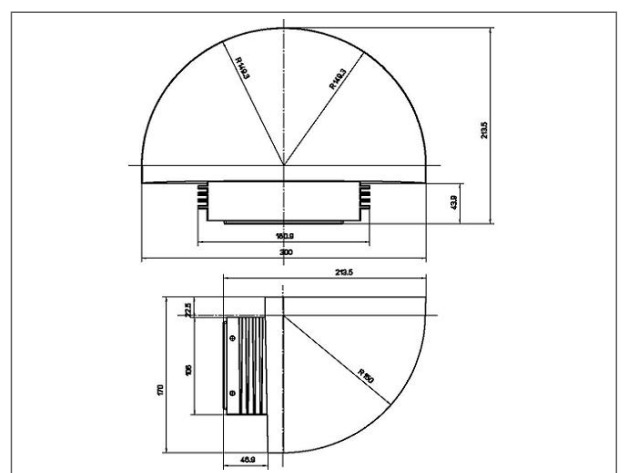
Chromacy constancy: 4 SDCM

Review board: 2017-08-11



LAMP: 1 x LED 35 W 3500 lm

IK 6 IP 65 A+ RG0



**NEW QUARTO DI SFERA LED**  
COD: E8541-LBN

Use:  
Outside, led

Installation:  
Wall mounted

Body/structure:  
EN AB-47100 Die-cast aluminium body

Coating:  
Polyester powder coating with special treatment for outdoor use (sandblasting, pickling, n.3 washings, epoxy powder coating and surface finish in polyester powder).

Colour:  
Black

Optic/reflector:  
99,8% pure aluminium reflector

Equipment:  
Silicon rubber gaskets

Glass/diffuser:  
Frosted tempered glass

Gland:  
Silicon rubber cable gland PG11

Control gear:  
Integrated LED diodes ballast, stabilized output current 700mA dc

Voltage: 220-240V 50/60Hz

Beam: Simmetric flood beam

Power factor correction: Yes

Insulation class: Insulation class 1

Weight: 4,500 kg

Glow wire: 850 °C

Lamp included: YES

LED Type: SMD LED

Luminaire wattage: 39 W

Luminaire luminous flux: 3499.7 lm

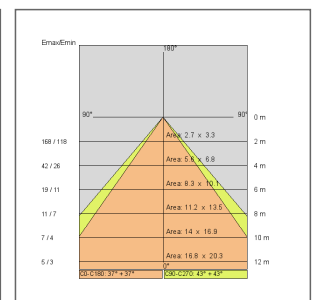
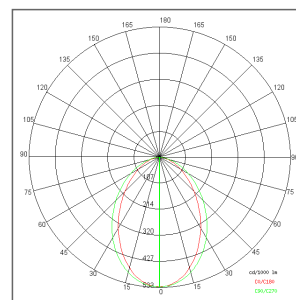
LED rated life: 50000 hours L80 B50

Colour temperature: 4000K

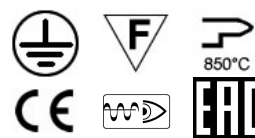
CRI: 80

Chromacy constancy: 4 SDCM

Review board: 2017-08-11



LAMP: 1 x LED 35 W 3500 lm



IK 6 IP 65 A+ RG0

