



BRITELINE LED RAPTOR 2

THE BENCHMARK IN SPORTS FLOODLIGHTING

Bringing together performance, optical control and innovative design, the new Raptor 2 from Sylvania provides better spill control, less windage, and increased performance resulting in lower luminaire requirements.

PERFORMANCE SUMMARY

- Designed in Australia for Australian and New Zealand conditions
- High lumen efficacy over 125lms/w
- Precision reflector systems, designed to control spill light
- Asymmetric distribution, with three beam options
- Available in CCT 5700K CRI 70
- Remote driver assembly, 240V and 415v. 0-10V, DALI and new Hybrid Control Gear
- Die-cast aluminium body, UV stabilized powder coated for durability
- Colour: black heatsink with grey frame
- Optimal reliability with 5 year warranty



Where innovation comes to light



BRITELINE LED RAPTOR 2 (cont.)

SPECIFICATIONS

Electrical Characteristics:

- Input voltage 240V/415V – 50Hz/60Hz
- Power factor: 0.9
- System wattage: 4 module 1200W
- Dimming: 0-10V, DALI and 50% switch DIM for Hybrid Gear
- Class I rating
- Surge protection : 10kV

Mechanical Characteristics:

- Die-cast LM6 aluminium frame and heat sink, UV stabilized powder coated for durability
- Galvanised trunnion arm for under and over slinging
- Floodlight body sealed to IP66
- IP66 wiring junction box with 25mm gland
- All exposed cabling has bird proof conduit
- Supplied with bird spikes
- Weight: 28.3Kgs
- Windage: 0.17 (at tilt of 13°)

Optical Characteristics:

- Precision optical reflector system
- Asymmetrical distribution A1 Narrow, A2 Medium, A3 Wide
- CCT: 5700K, CRI 70
- LED: PCBA

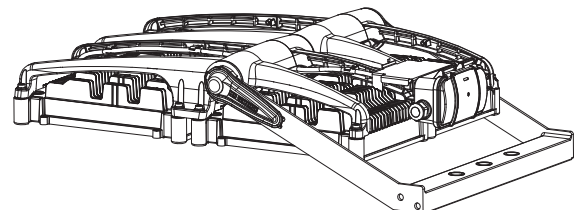
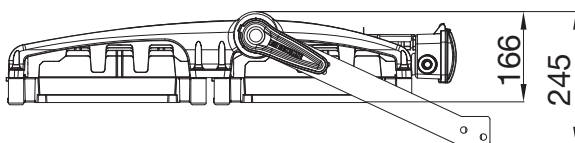
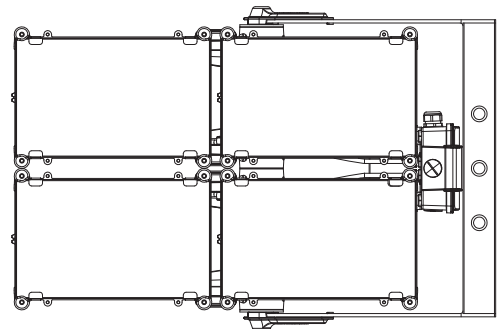
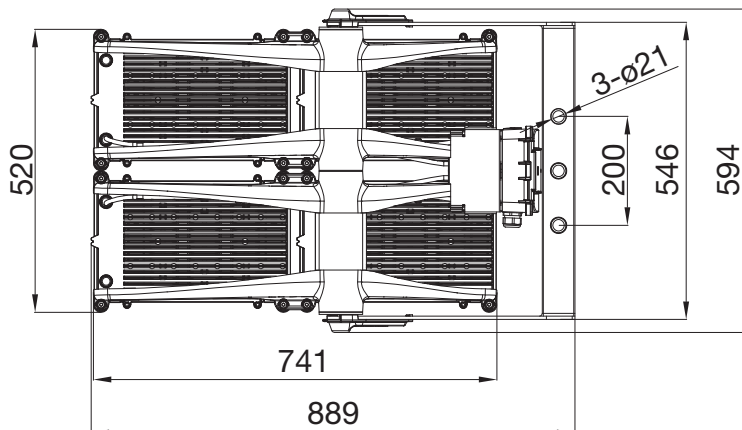
Performance Characteristics:

- High lumen efficacy over 125lms/w
- Average rated life of 50,000hrs to L90

Environmental & Standards:

- Ambient operational temps to: Ta 40°C
- Compliant to AS/NZS 60598.1:2017

LINE DRAWINGS





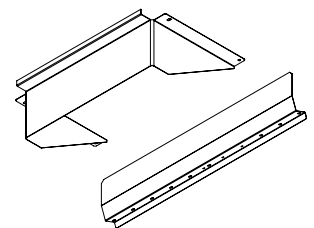
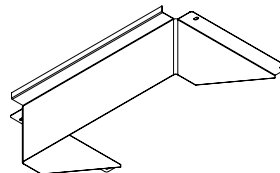
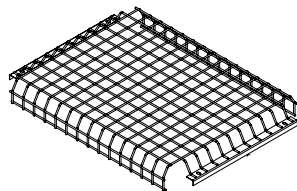
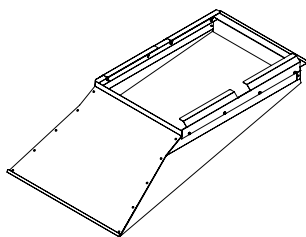
BRITELINE LED RAPTOR 2 (cont.)

ORDER CODES

Product Code	Name	Dimensions (mm) W x H x D	Mass (kg)	Beam Distribution	System Power (W)	Colour Temperature	CRI	Electrical Rating	Installation Type	Ambient Temperature	Ingress Protection	Impact Rating
Standard												
SR4H757A1LG2	RAPTOR 2 1200W A1 BEAM CRI70 CCT5700K NO GEAR	741 x 594 x 171	28.3	Asymmetric A1 Narrow	1200	5700	70	Class 1	Trunnion	Ta 40	IP66	IK06
SR4H757A2LG2	RAPTOR 2 1200W A2 BEAM CRI70 CCT5700K NO GEAR	741 x 594 x 171	28.3	Asymmetric A2 Medium	1200	5700	70	Class 1	Trunnion	Ta 40	IP66	IK06
SR4H757A3LG2	RAPTOR 2 1200W A3 BEAM CRI70 CCT5700K NO GEAR	741 x 594 x 171	28.3	Asymmetric A3 Wide	1200	5700	70	Class 1	Trunnion	Ta 40	IP66	IK06

The above codes are for standard offering only. For additional options or product variants, please consult your Sylvania consultant
 * Supplied as standard

ACCESSORIES



RAPTOR HOOD ACCESSORY	WIRE GUARD (QUANTITY 2)	BACK SHIELD	SIDE AND BACK SHIELD KIT
SR4HAPRONHOOD	SR4HWIREGUARD	SR4HBACKSHIELD	SR4HSIDESHIELD
L 1195 x W 670 x H 310mm	L 515 x W 365 x H 56mm	L 515 x W 315 x H 151mm	L 800 x W 315 x H 155mm
5kg	1kg	1.15kg	2.4kg