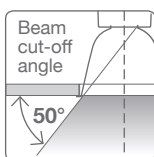
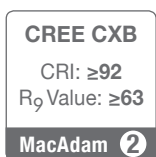
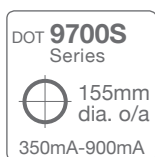
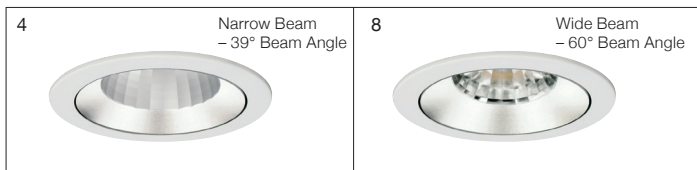


DOT **9700SX**
EXCEL SERIES



MODELS (Reflector Options)



TECHNICAL

Total Energy Consumption P_L (W) – Refer LED Performance Guide	
Weight	1600 gms
IEC 60598 – parts 1 and 2	Complies
AS/NZS60598 – parts 1 and 2	Complies
Cyanosis (Australia only)	4000k option approved
IP Rating	Refer Accessory
Round Ceiling Plate (white) fitted to Downlight Body (white) as standard	

STANDARD DIMMING OPTIONS AVAILABLE

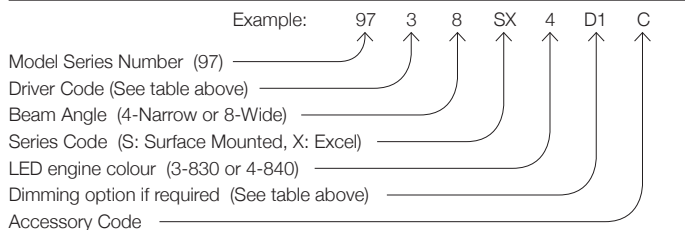
D1 DALI (350mA–700mA)	D5 one4all: switchDIM
D2 one4all: DSI DIM	D6 Push Dim (350mA–700mA)
D3 Analogue Dim 1-10V (350mA–700mA)	D7 one4all: DALI DIM
D4 Phase Cutting (350mA–700mA)	

LED GUIDE – DOT 9700SX SURFACE MOUNTED EXCEL SERIES

DOT Model No.	Driver current (mA)	Colour Temp 3-3000k 4-4000k	Wattage (W)	Luminaire Output Lumens ^B	Luminaire efficacy (lm/W output)	Lifetime LED engine (Hrs @ L90/B10)
9738SX	(3) 350mA	3 ^A	13.8	1120	81.2	≥100,000
9738SX	(3) 350mA	4	13.8	1286	93.4	≥100,000
9758SX	(5) 500mA	3 ^A	19.2	1650	85.9	≥100,000
9758SX	(5) 500mA	4	19.2	1891	98.6	≥100,000
9778SX	(7) 700mA	3 ^A	27.1	2180	80.4	≥100,000
9778SX	(7) 700mA	4	27.1	2509	92.5	≥100,000

^A Figures extrapolated / interpolated from data at other currents.
^B Output Lumens : Delivered lumen output from downlight, including thermal, electrical and optic losses.
 – Narrow beam option may vary ± 2%.

ORDERING CODE FORMAT





155mm dia. o/a



Accessories

AXLOCK ACCESSORIES

Fitted to downlight *after* installation

Accessory trims available

1 White 2 Black 3 Silver



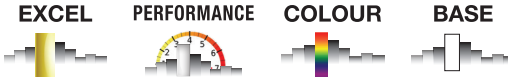
Other colours available on request.

	<p>Default (fitted as standard) Round Ceiling Plate IP20</p> <p>Moulded polycarbonate - 155mm dia. overall</p>	 <p>X Round Ceiling Plate with highlight IP20</p> <p>Moulded polycarbonate - 155mm dia. overall</p>
	<p>C Round Flush Clear Lens IP65</p>  <p>Moulded polycarbonate - 155mm dia. overall</p>	 <p>XC Round Flush Clear Lens with highlight IP65</p>  <p>Moulded polycarbonate - 155mm dia. overall</p>
	<p>DL Round Flush Soft Diffusion Lens IP65</p>  <p>Moulded polycarbonate - 155mm dia. overall</p>	 <p>XDL Round Soft Diffusion Lens with highlight IP65</p>  <p>Moulded polycarbonate - 155mm dia. overall</p>
	<p>W Round Washlite Lens IP54</p> <p>Moulded polycarbonate - 155mm dia. overall</p>	 <p>XW Round Washlite Lens with highlight IP54</p> <p>Moulded polycarbonate - 155mm dia. overall</p>
	<p>FG Round Flush Glass IP54</p> <p>5mm thick toughened glass with sandblasted centre. - 158mm dia. overall</p>	 <p>DG Round Dropped Glass IP20</p> <p>5mm thick toughened glass with sandblasted centre. - 158mm dia. overall</p>

DOT **9700S** SERIES
SURFACE MOUNTED



155mm dia. o/a



Secured Access Accessories

SECURED ACCESS
ACCESSORIES

Fitted to downlight **after** installation

Accessory trims available

1 White **2** Black **3** Silver



Other colours available on request.

TORX tamperproof fasteners

	<p>CS Round Clear Lens IP65</p> <p>Moulded polycarbonate - 192mm dia.</p>		<p>DLS Round Soft Diffusion Lens IP65</p> <p>Moulded polycarbonate - 192mm dia.</p>
	<p>WS Round Washlight Lens IP54</p> <p>Moulded polycarbonate - 192mm dia.</p>		

PROSPEC OPTIONS

Project Specific Accessory Options
- Factory Fitted

Accessory trims available

1 White **2** Black **3** Silver



Other colours available on request.

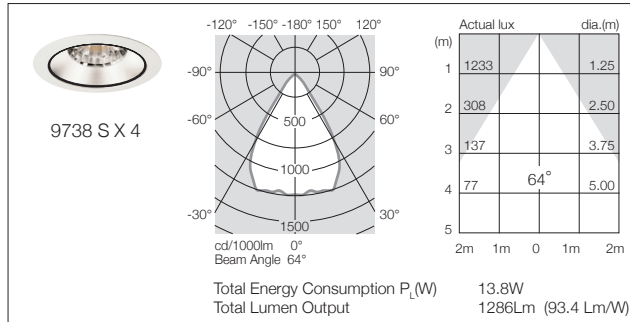
	<p>U UGR Reduction Accessory</p> <p>For improved visual comfort with wide beam models.</p>	<p>E Emergency</p> <p>Self contained emergency unit - 3 hours. Features inverter and battery pack ≥ 550 lumens output in emergency mode. Available with most models.</p>
--	--	---



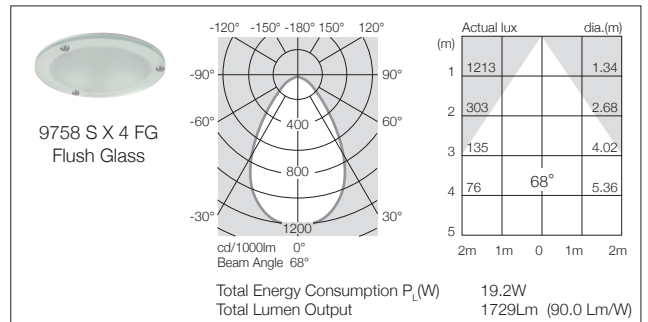
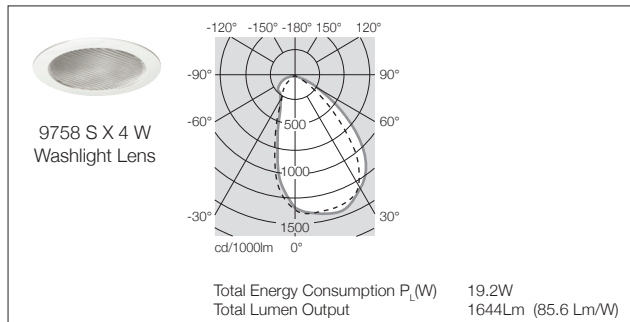
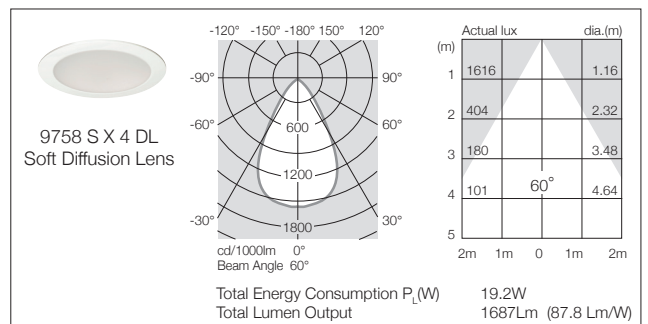
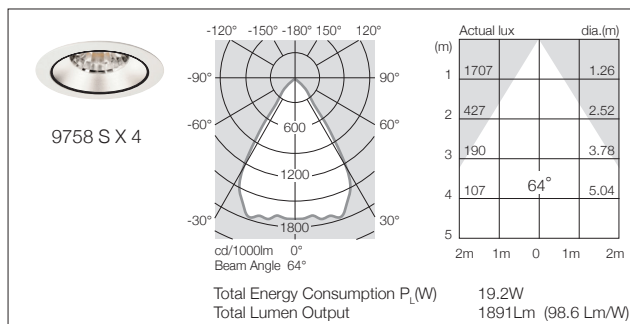
Photometric Data

9700SX
EXCEL SERIES

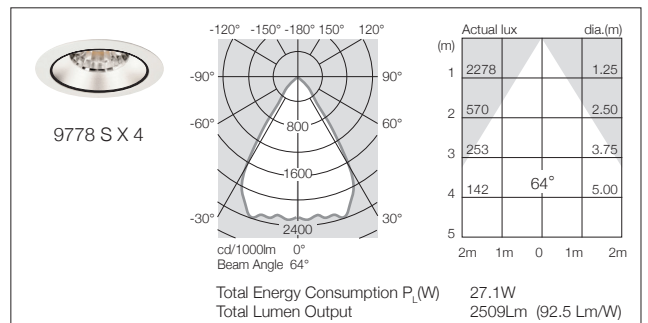
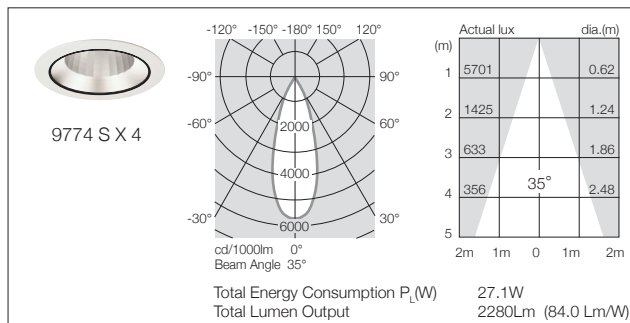
350 mA
CREE CXB
LED



500 mA
CREE CXB
LED



700 mA
CREE CXB
LED



900 mA
CREE CXB
LED

