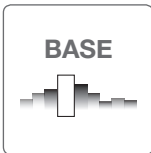
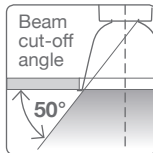


DOT **9700SB**
SURFACE MOUNTED
Gen 2 BASE SERIES



DOT **9700S**
Series
155mm
dia. o/a
350mA-1050mA

CREE CMA
CRI: **≥80**
MacAdam 4



MODEL



TECHNICAL

Total Energy Consumption P_L (W) – Refer LED Performance Guide	
Weight	1600 gms
IEC 60598 – parts 1 and 2	Complies
AS/NZS60598 – parts 1 and 2	Complies
IP Rating	Refer Accessory
Round Ceiling Plate (white) fitted to Downlight Body (white) as standard	

STANDARD DIMMING OPTIONS AVAILABLE

D1 DALI (250mA–1400mA)	D5 one4all: switchDIM
D2 one4all: DSI DIM	D6 Push Dim (350mA–1050mA)
D3 Analogue Dim 1-10V (350mA–1400mA)	D7 one4all: DALI DIM
D4 Phase Cutting (350mA–700mA)	

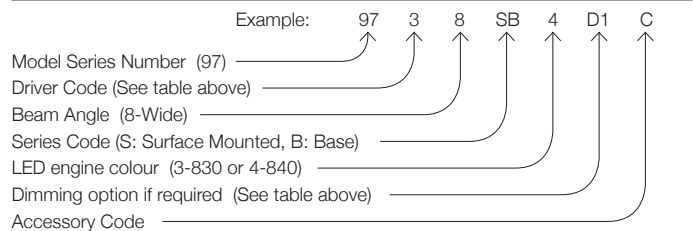
LED GUIDE – DOT 9700SB SURFACE MOUNTED BASE SERIES

DOT Model No.	Driver current (mA)	Colour Temp 3-3000k 4-4000k	Wattage (W)	Luminaire Output Lumens ^B	Luminaire efficacy (lm/W output)	Lifetime LED engine (Hrs @ L80/B10)
9738SB	(3) 350mA	3 ^A	13.6	1311	96.4	≥70,000
9738SB	(3) 350mA	4	13.6	1277	93.9	≥70,000
9778SB	(7) 700mA	3 ^A	26.4	2409	91.3	≥70,000
9778SB	(7) 700mA	4	26.3	2347	89.2	≥70,000
97108SB	(10) 1050mA	3 ^A	40.3	3384	84.0	≥70,000
97108SB	(10) 1050mA	4 ^A	40.3	3297	81.8	≥70,000

^A Figures extrapolated / interpolated from data at other currents.

^B Output Lumens : Delivered lumen output from downlight, including thermal, electrical and optic losses.

ORDERING CODE FORMAT








Accessories

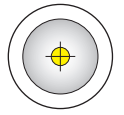


AXLOCK ACCESSORIES
Fitted to downlight *after* installation

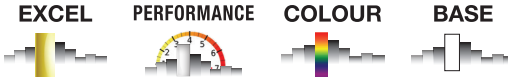
Accessory trims available
1 White **2** Black **3** Silver
  
 Other colours available on request.

	<p>Default (fitted as standard) Round Ceiling Plate IP20</p> <p>Moulded polycarbonate - 155mm dia. overall</p>	 <p>X Round Ceiling Plate with highlight IP20</p> <p>Moulded polycarbonate - 155mm dia. overall</p>
	<p>C Round Flush Clear Lens IP65</p>  <p>Moulded polycarbonate - 155mm dia. overall</p>	 <p>XC Round Flush Clear Lens with highlight IP65</p>  <p>Moulded polycarbonate - 155mm dia. overall</p>
	<p>DL Round Flush Soft Diffusion Lens IP65</p>  <p>Moulded polycarbonate - 155mm dia. overall</p>	 <p>XDL Round Soft Diffusion Lens with highlight IP65</p>  <p>Moulded polycarbonate - 155mm dia. overall</p>
	<p>W Round Washlite Lens IP54</p> <p>Moulded polycarbonate - 155mm dia. overall</p>	 <p>XW Round Washlite Lens with highlight IP54</p> <p>Moulded polycarbonate - 155mm dia. overall</p>
	<p>FG Round Flush Glass IP54</p> <p>5mm thick toughened glass with sandblasted centre. - 158mm dia. overall</p>	 <p>DG Round Dropped Glass IP20</p> <p>5mm thick toughened glass with sandblasted centre. - 158mm dia. overall</p>

DOT **9700S** SERIES
SURFACE MOUNTED



155mm dia. o/a



Secured Access Accessories

SECURED ACCESS
ACCESSORIES

Fitted to downlight **after** installation

Accessory trims available

1 White **2** Black **3** Silver



Other colours available on request.

TORX tamperproof fasteners

	<p>CS Round Clear Lens IP65</p> <p>Moulded polycarbonate - 192mm dia.</p>		<p>DLS Round Soft Diffusion Lens IP65</p> <p>Moulded polycarbonate - 192mm dia.</p>
	<p>WS Round Washlight Lens IP54</p> <p>Moulded polycarbonate - 192mm dia.</p>		

PROSPEC OPTIONS

Project Specific Accessory Options
- Factory Fitted

Accessory trims available

1 White **2** Black **3** Silver



Other colours available on request.

	<p>U UGR Reduction Accessory</p> <p>For improved visual comfort with wide beam models.</p>	<p>E Emergency</p> <p>Self contained emergency unit - 3 hours. Features inverter and battery pack ≥ 550 lumens output in emergency mode. Available with most models.</p>
--	--	---



155mm dia. o/a

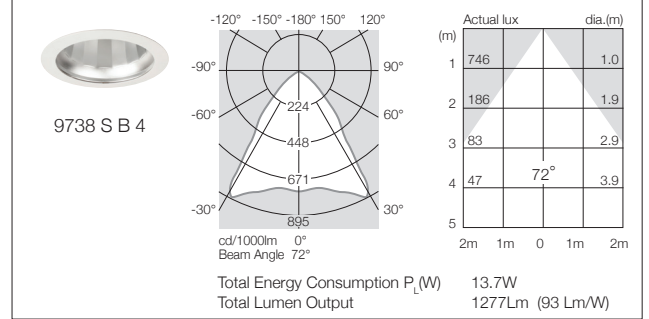
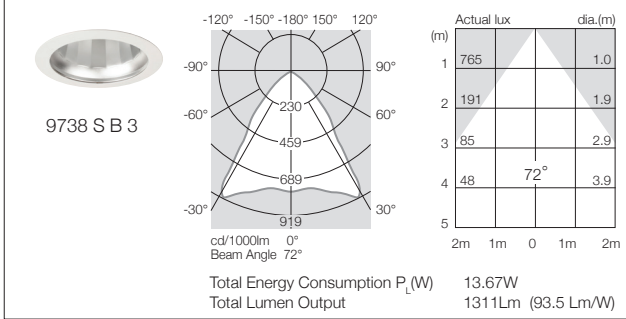


BASE

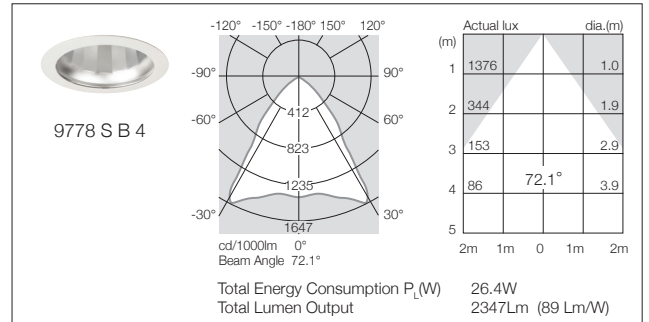
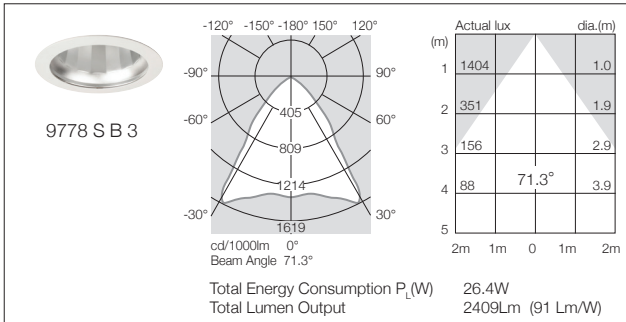
Photometric Data

9700SB
Gen 2 BASE SERIES

350 mA
CREE CMA
LED



700 mA
CREE CMA
LED



1050 mA
CREE CMA
LED

