



Construction: Extruded aluminium profile
PVC liner housing 4 copper conductors

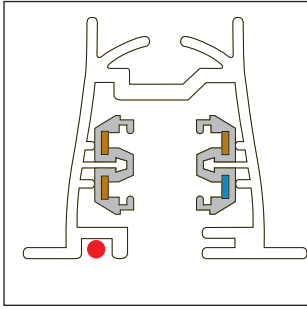
Total Max Load: 240 (230) VAC supply
3840w (3680w) ÷ 3
Single fuse rated at 16amps
Supply cable 5 x 1.5mm²
415 (400) VAC supply*
3840w (3680w) x 3
Each circuit separately fused at 16amps
Supply cable 5 x 2.5mm²
* 3 phase track connection not allowed
in the UK For other countries please
check local wiring regulations

Finish: Smooth polyester powder paint finish
white RAL 9016, silver RAL 9006 or
black RAL 9005

- Polarised 16amp three circuit track system with a common neutral
- Suitable for use with Concord, Lumiance and other European three circuit adaptors
- Each of the three circuits can be independently dimmed
- Unique Lytespan 3 'venturi' trunk profile in standard or recessed form
- Lytebeam deep trunk profile with empty back channel for cable way, T5 or Lytespan 3 module
- Couplers and feeds are pre-wired and polarised for ease of installation.
- Broad range of universal suspensions
- Polarised and fully earthed to latest international standards

* When dimming – Other circuits cannot contain non-dimmable luminaires such as metal halide

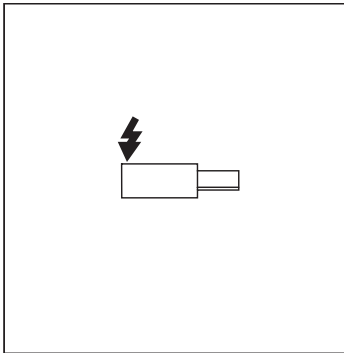
Three Circuit Track System



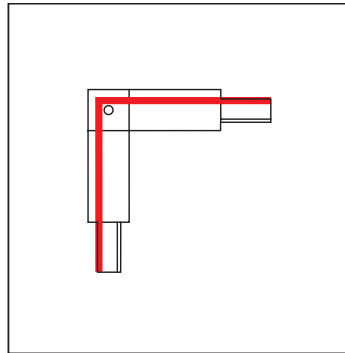
Polarisation Channel

Planning Aid

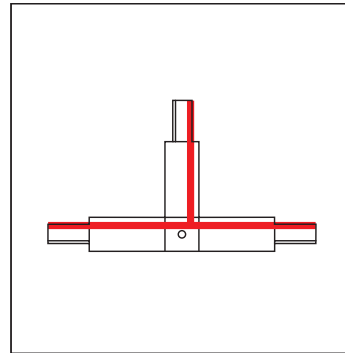
- Lytespan 3 track features a polarisation channel running along one side of its entire length. (See opposite)
- All Lytespan 3 feeds and couplers except Live Ends are supplied pre-polarised, with wires for ease of installation
- When planning a scheme it is important that:
 - The polarisation channel is continuous around corners and grids
 - The layout shows the correct view from above



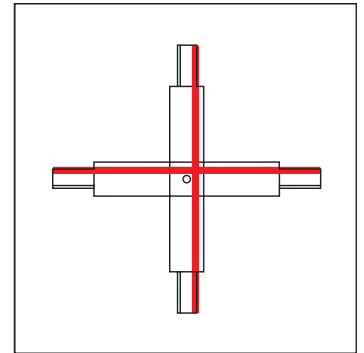
Plug-in live End
UNIVERSAL
Polarity tab indicates correct way to wire



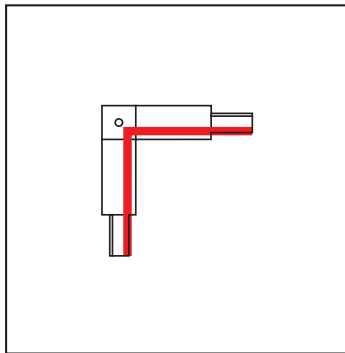
L Coupler
OUTSIDE



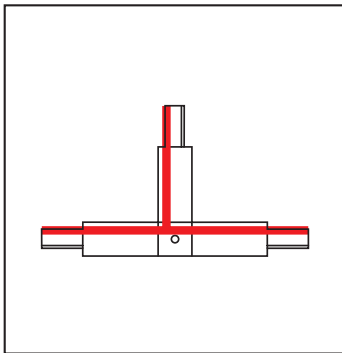
T Coupler
RIGHT



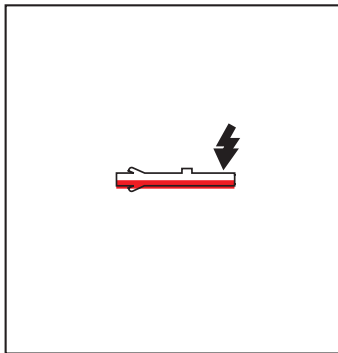
X Coupler
UNIVERSAL



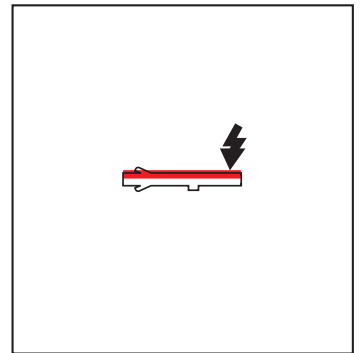
L Coupler
INSIDE



T Coupler
LEFT

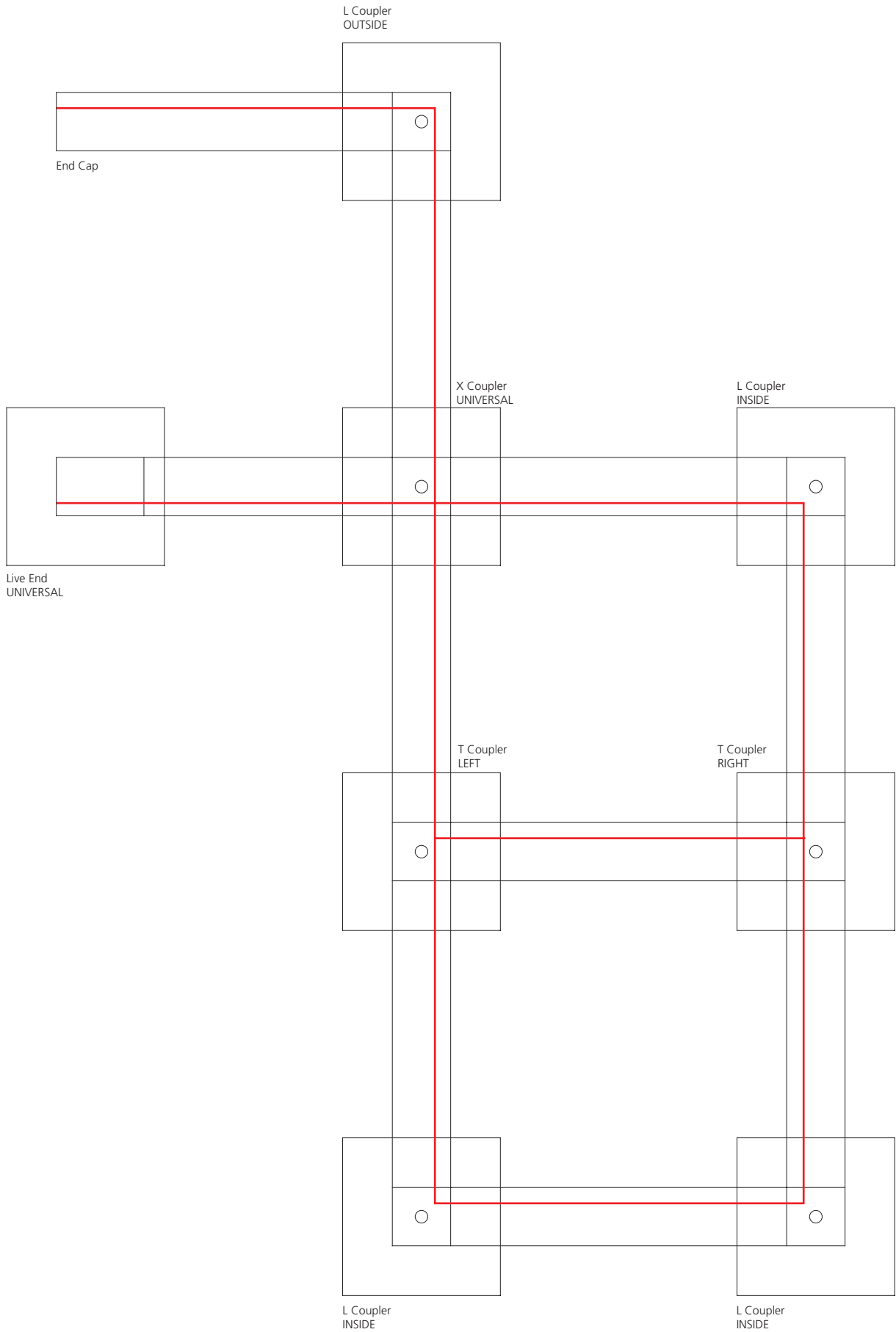


Push-up Feed
LEFT



Push-up Feed
RIGHT

Planning from above





Starter Track Kit

Starter Track Kit

- Ideal for surface mounted runs
- Single length or to start a run
- Supplied with Track Unit, Push-up Live Feed, End Caps and Surface Mount Clips

Joiner Track Kit

- Ideal for surface mounted runs
- Extends Starter Track to create straight runs
- Supplied with Track Unit, Plug-in Live Coupler and Surface Mount Clips

Starter Track Kit

Code	Description	Weight (Kg)	Colour
L3 Starter Track White			
2030732	L3 Starter Track 1M	0.925	White
2030733	L3 Starter Track 2M	1.85	White
2030734	L3 Starter Track 3M	2.75	White

L3 Starter Track Silver

2057410	L3 Starter Track 1M	0.925	Silver
2057411	L3 Starter Track 2M	1.85	Silver
2057412	L3 Starter Track 3M	2.75	Silver



Joiner Track Kit

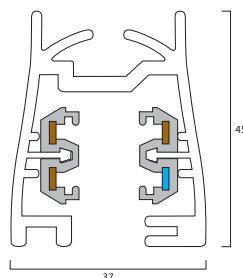
Joiner Track Kit

Code	Length (m)	Weight (kg)	Colour
2030736	3	2.90	White



Emergency lighting solutions for track mounting

Standard



Dimensions (mm)



Standard Track Unit



Recessed Track Unit

Standard Track Unit

- For single or continuous runs and grids
- Ideal for surface mounting or suspension
- Order components and accessories separately

Recessed Track Unit

- For single or continuous runs
- Ideal for suspended ceilings
- Order components and accessories separately

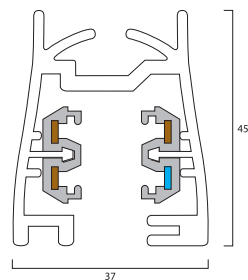
1. Standard Track Unit

Code	Length (m)	Weight (kg)	Colour
2020760	1	0.90	White
2020762	2	1.80	White
2020751	3	2.70	White
2020761	1	0.90	Silver
2020763	2	1.80	Silver
2020759	3	2.70	Silver
2025500	1	0.90	Black
2025501	2	1.80	Black
2025502	3	2.70	Black

1. Recessed Track Unit

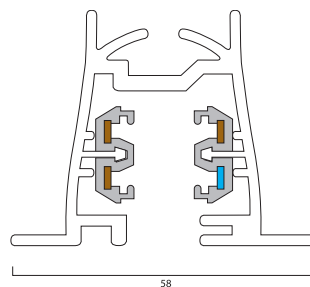
Code	Length (m)	Weight (kg)	Colour
2020718	2	1.95	White
2020719	3	2.85	White

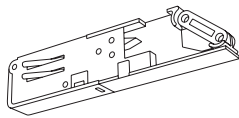
Standard



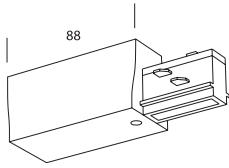
Dimensions (mm)

Recessed





Push-up Live Feed



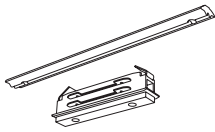
Plug-in Live Feed

2. Live Feeds

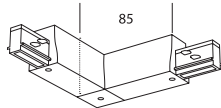
Code	Description	Finish	Type
2027546	Push-Up Live Feed	White	Left
2027549	Push-Up Live Feed	White	Right
2020790	Plug-In Live	White	Universal
2020799	Live Feed	Black	Recessed
2027547	Push-Up Live Feed	Silver	Right
2027550	Push-Up Live Feed	Silver	Left
2021318	Plug-In Live Feed	Silver	Universal
2027548	Push-Up Live Feed	Black	Left
2027551	Push-Up Live Feed	Black	Right
2025507	Plug-In Live Feed	Black	Universal

2. DALI Live Feeds

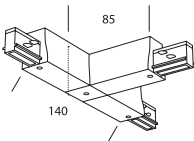
Code	Description	Finish	Type
2051485	Push-Up Live Feed	White	Right
2051488	Push-Up Live Feed	White	Left
2051486	Push-Up Live Feed	Silver	Right
2051489	Push-Up Live Feed	Silver	Left
2051487	Push-Up Live Feed	Black	Right
2051490	Push-Up Live Feed	Black	Left



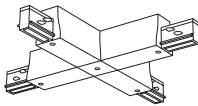
Straight Plug-in Coupler



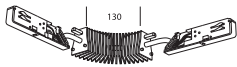
L Coupler



T Coupler



X Coupler



Flexible Coupler

3. Couplers

Code	Description	Finish	Type
2020797	Straight Plug-in Coupler	White	Mech/Elec
2020792	L Coupler*	White	Inside
2020793	L Coupler*	White	Outside
2020795	T Coupler*	White	Left
2020796	T Coupler*	White	Right
2020794	X Coupler*	White	Universal
2020798	Flexible Coupler	White	Mech/Elec
2027542	Straight Plug-in Coupler	Silver	Mech/Elec
2021315	L Coupler*	Silver	Inside
2021314	L Coupler*	Silver	Outside
2021310	Flexible Coupler	Silver	Mech/Elec
2025508	Straight Plug-in Coupler	Black	Mech/Elec
2025511	L Coupler*	Black	Inside
2025512	L Coupler*	Black	Outside
2025514	T Coupler*	Black	Left
2025513	T Coupler*	Black	Right
2025515	X Coupler*	Black	Universal
2025516	Flexible Coupler	Black	Mech/Elec

Wires can be removed to create mechanical only connections. Once wires are removed couplers can be used to feed power on/off of track

3. DALI Couplers

Code	Description	Finish	Type
2020797	Straight Plug-in Coupler	White	Mech/Elec
2051497	L Coupler*	White	Inside
2051500	L Coupler*	White	Outside
2051494	T Coupler*	White	Left
2051491	T Coupler*	White	Right
2051503	X Coupler*	White	Universal
2051506	Flexible Coupler	White	Mech/Elec
2027542	Straight Plug-in Coupler	Silver	Mech/Elec
2501498	L Coupler*	Silver	Inside
2501501	L Coupler*	Silver	Outside
2051507	Flexible Coupler	Silver	Mech/Elec
2025508	Straight Plug-in Coupler	Black	Mech/Elec
2051499	L Coupler*	Black	Inside
2051502	L Coupler*	Black	Outside
2051496	T Coupler*	Black	Left
2051493	T Coupler*	Black	Right
2051505	X Coupler*	Black	Universal
2051508	Flexible Coupler	Black	Mech/Elec

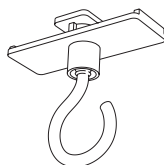
Wires can be removed to create mechanical only connections. Once wires are removed couplers can be used to feed power on/off of track



End Cap

4. End Cap

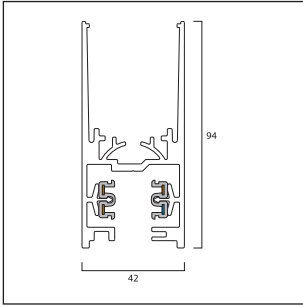
Code	Description	Finish
2020789	Must be used to safely terminate track ends	White
2021317	Must be used to safely terminate track ends	Silver
2025517	Must be used to safely terminate track ends	Black



Display Hook

5. Accessories

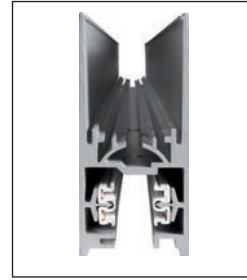
Code	Description	Weight (kg)	Finish
2025697	Suspends signs, cords etc.	Max load 5.00	White



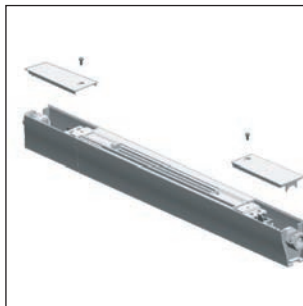
Standard Lytebeam Unit

1. Standard Lytebeam Unit

Code	Length (m)	Weight (kg)	Colour
2037837	2	5.00	White
2037838	3	7.50	White
2037841	2	5.00	Silver
2037842	3	7.50	Silver



1. Empty Back Channel for Cable Way



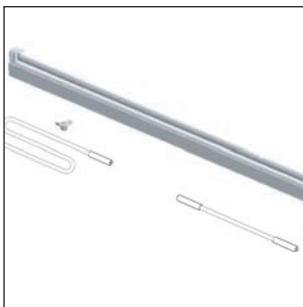
Indirect L3 track module

1a. Indirect L3 track module

Code	Length (m)	Colour
2037845	1.180	White



1a. L3 Track for Indirect Accent



Standard Lytebeam Unit

1b. Indirect T5 batten module

Code	Length (m)	Lamp Type
9137867	1.186	28W T5

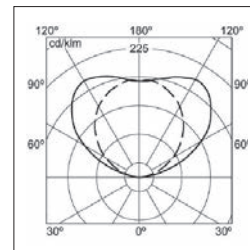
* LED versions using LED Pipe with LED Pipe mounting boss
2691855 available as a variant upon request



1b. T5 Fluorescent Modules for Indirect Ambient

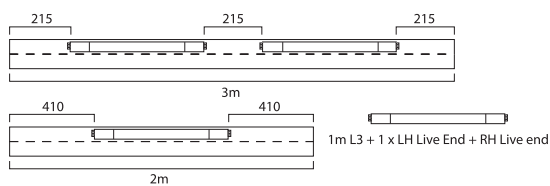


Luxline Plus T5 FHE T16
28W G5 2640lm

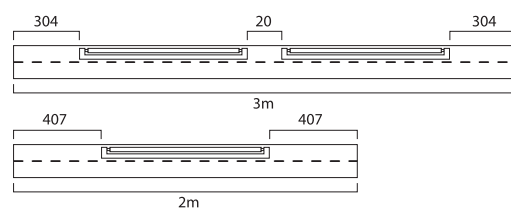


DLOR = 0.62

Lytebeam Indirect L3 Modules – suggested spacings



Lytebeam Indirect T5 Modules – suggested spacings

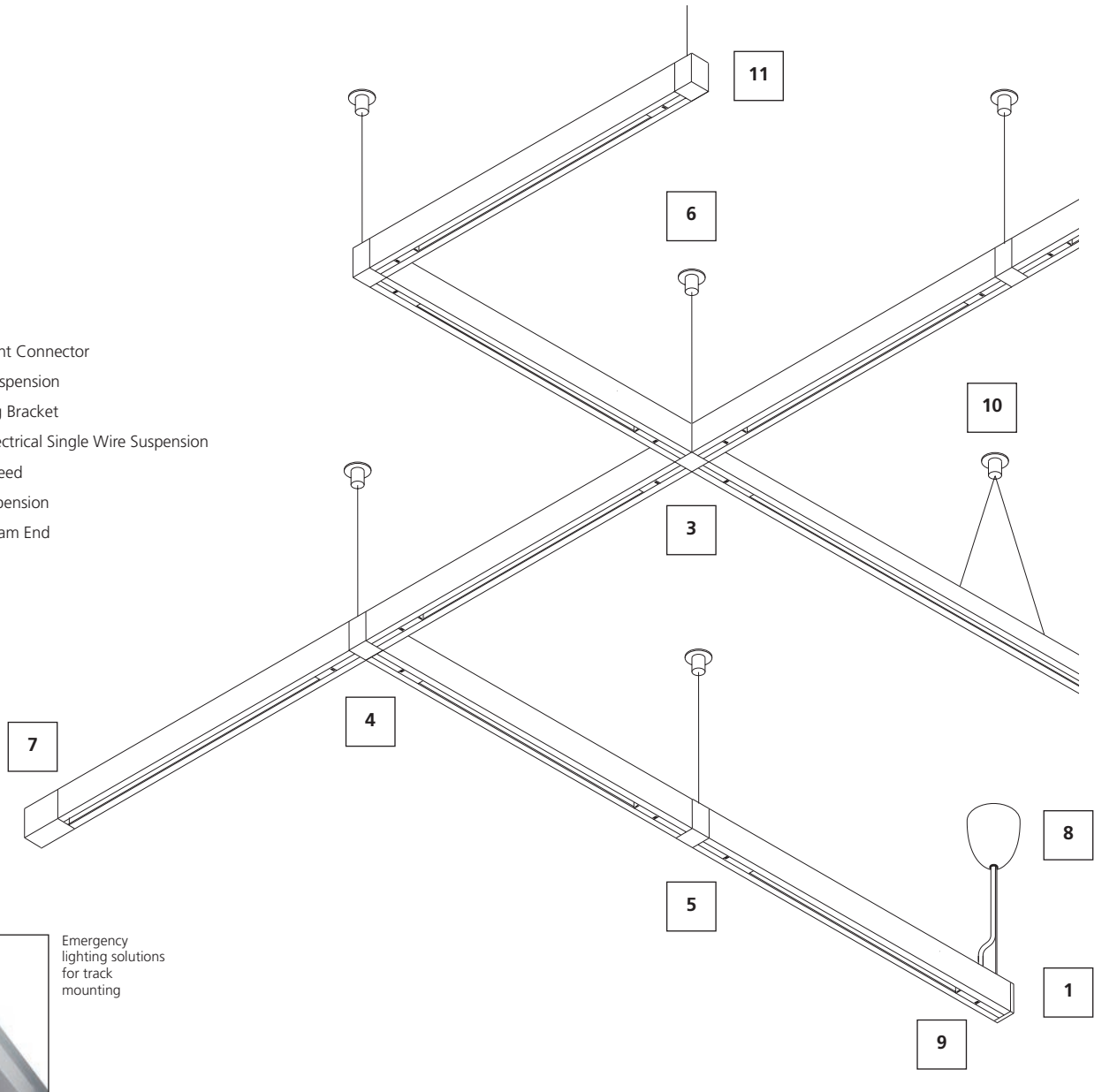




Concord DALI Track Adaptor

- Architectural three circuit and DALI deep beam section
- Indirect ambient lighting using T5 batten accessory
- Indirect accent lighting using L3 Track assembly
- Wide selection of suspension options, wires, rods and wall brackets
- Rigid section provides maximum suspension spacing of up to 4m
- Rear beam section may be used to carry other electrical services
- Wall brackets allow for wall to wall installation, maximum spacing 4m (longer with suspensions)
- Individual section, continuous runs and complex grids
- LED Emergency modules
- Straight Runs
- Grids
- Bends

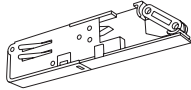
- 1 End Cap
- 2 'L' Outside
- 3 'X'
- 4 'T' Right
- 5 'I' Inline Straight Connector
- 6 Single Wire Suspension
- 7 Wall Mounting Bracket
- 8 Mechanical/Electrical Single Wire Suspension
- 9 Push-up Live Feed
- 10 Twin Wire Suspension
- 11 Suspension Beam End



Basic components required for a track scheme:

- 1. Track Unit
- 1a. Indirect L3 track module
- 1b. Indirect T5 batten module
- 2 Live Feed: Feeds power onto track
- 3. Coupler: Only required if creating runs
- 4. End Cap: Safely terminates track ends
- 5. Suspensions: Safely and securely mounts track
- 6. Optional Accessories

2. Live Feeds



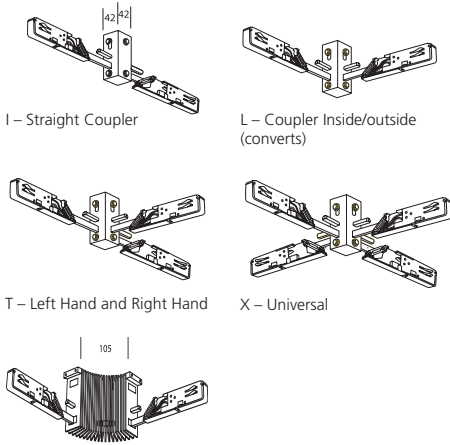
Push-up Live Feed

Code	Description	Colour	Type
2027546	Push-Up Live Feed Feeds power on or off anywhere along length of track	White	Left
2027549	Push-Up Live Feed Feeds power on or off anywhere along length of track	White	Right
2027547	Push-Up Live Feed Feeds power on or off anywhere along length of track	Silver	Left
2027550	Push-Up Live Feed Feeds power on or off anywhere along length of track	Silver	Right

2. DALI Live Feeds

Code	Description	Colour	Type
2051488	Push-Up Live Feed Feeds power on or off anywhere along length of track	White	Left
2051485	Push-Up Live Feed Feeds power on or off anywhere along length of track	White	Right
2051489	Push-Up Live Feed Feeds power on or off anywhere along length of track	Silver	Left
2051486	Push-Up Live Feed Feeds power on or off anywhere along length of track	Silver	Right

3. Couplers



Code	Description	Colour	Type
2037853	I Straight Coupler Connects tracks to create straight runs	White	Mech/Elec
2037854	L Coupler Polarised couplers supplied pre-wired for ease of installation*	White	Inside/Outside
2037855	T Coupler Polarised couplers supplied pre-wired for ease of installation*	White	Left
2037856	T Coupler Polarised couplers supplied pre-wired for ease of installation*	White	Right
2037858	I Straight Coupler Connects tracks to create straight runs	Silver	Mech/Elec
2037860	L Coupler Polarised couplers supplied pre-wired for ease of installation*	Silver	Inside/Outside

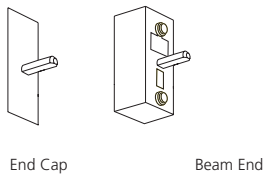
* Wires can be removed to create mechanical only connections. Once wires are removed couplers can be used to feed power on/off of track

3. DALI Couplers

Code	Description	Colour	Type
2051521	I Straight Coupler Connects tracks to create straight runs	White	Mech/Elec
2051527	L Coupler Polarised couplers supplied pre-wired for ease of installation*	White	Inside/Outside
2051524	T Coupler Polarised couplers supplied pre-wired for ease of installation*	White	Left
2051522	I Straight Coupler Connects tracks to create straight runs	Silver	Mech/Elec
2051528	L Coupler Polarised couplers supplied pre-wired for ease of installation*	Silver	Inside/Outside

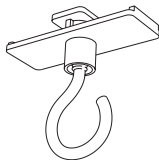
* Wires can be removed to create mechanical only connections. Once wires are removed couplers can be used to feed power on/off of track

4. End Cap



Code	Description	Colour
2037848	End Cap must be used to safely terminate track ends	White
2037851	Beam End must be used to safely terminate track ends and provides suspension points	White
2037850	End Cap must be used to safely terminate track ends	Silver
2037852	Beam End must be used to safely terminate track ends and provides suspension points	Silver

5. Accessories



Display Hook

Code	Description	Colour	Max Load (kg)
2025697	Display Hook Suspends signs, cords etc	White	5.00





- Rod and Floating suspensions provide rigid fixing up to 1m straight down from ceiling. Required for uneven loads or areas exposed to air movement
- Adjustable 3m wire suspensions provide the flexibility to fix from any angle, ideal for sloping ceilings
- Longer lengths available as variants
- Clutch adjustment mechanism allows quick and easy installation and levelling. Excess wire can safely be removed
- Twin pivoting suspensions ideal for grids and corners
- Easy to wire mechanical and electrical rod and wire suspensions enable discrete mains supply
- Wall mounting brackets for wall to wall installations (Lytebeam only)

Universal Suspensions

Single, Three Circuit & DALI Track



Wire suspensions - chrome



Rod suspensions - white



Single/three circuit - white

- Rod and Floating suspensions provide rigid fixing up to 1m straight down from ceiling. Required for uneven loads or areas exposed to air movement
- Adjustable 3m wire suspensions provide the flexibility to fix from any angle, ideal for sloping ceilings Longer lengths available as variants
- Clutch adjustment mechanism allows quick and easy installation and levelling. Excess wire can safely be removed
- Twin pivoting suspensions ideal for grids and corners
- Easy to wire mechanical and electrical rod and wire suspensions enable discrete mains supply
- Wall mounting brackets for wall to wall installations (Lytebeam only)

Wire Suspensions

Code	Description	Length (m)	Max Load (kg)	Colour
2035031	Single Wire Suspension Length easily adjusted	3.00	20.00	Mech Only Chrome
2035016	Twin Wire Suspension Length easily adjusted	3.00	20.00	Mech Only Chrome
2035014	Single Wire Suspension Length easily adjusted	3.00	20.00	Single Circuit Elec/Mech White
2035017	Twin Wire Suspension Length easily adjusted	3.00	20.00	Single Circuit Elec/Mech White
2035015	Single Wire Suspension Length easily adjusted	3.00	20.00	Three Circuit Elec/Mech White
2035018	Twin Wire Suspension Length easily adjusted	3.00	20.00	Three Circuit Elec/Mech White

Rod Suspensions

Code	Description	Length (m)	Max Load (kg)	Colour
2035020	Rod Suspension Can be cut on site from ceiling only +/-5mm levelling adjustment	0.50	-	Mech Only White
2035023	Rod Suspension Can be cut on site from ceiling only +/-5mm levelling adjustment	1.00	25.00	Mech Only White
2035026	Rod Extension Screws onto Mechanical only rod suspensions Can not be cut on site. Max drop 3.00m +/-5mm levelling adjustment	0.50	25.00	Mech Only White
2035024	Rod Suspension Can be cut on site from ceiling side only +/-5mm levelling adjustment	1.00	25.00	Single Circuit Elec/Mech White
2035022	Rod Suspension Can be cut on site from ceiling side only +/-5mm levelling adjustment	0.50	-	Three Circuit Elec/Mech White
2035025	Rod Suspension Can be cut on site from ceiling side only +/-5mm levelling adjustment	1.00	25.00	Three Circuit Elec/Mech White

Recessed Mounting

Code	Description	Max Load (kg)	Type
2010997	Suspension Bracket For fixing recessed track into suspended ceilings	25.00	Steel

Surface Mounting (Not suitable for Lytebeam)

Code	Description	Length (m)	Max Load (kg)	Colour
2011999	Mount Clip, Clip screw onto fixing surface. Track snaps onto back, secured with allen key supplied	0.14	15.00	White
2011841	Mount Clip Clip screw onto fixing surface. Track snaps onto back, secured with allen key supplied	0.14	15.00	Black

Wall Mounting Bracket (For Lytebeam only)

Code	Description	Max Load (kg)	Colour
2037846	Wall Mount Bracket	20.00	White
2037847	Wall Mount Bracket	20.00	Silver

* Length refers to distance from mounting surface to back of track

Max spacing for all Single Circuit and Three Circuit Track systems 1.2m

Max spacing for Lytebeam 4m

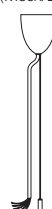
Single Wire Suspension (Mech only)



Twin Wire Suspension (Mech Only)



Single Wire Suspension (Mech/Elec)



Twin Wire Suspension (Mech/Elec)



- Rod and Floating suspensions provide rigid fixing up to 1m straight down from ceiling. Required for uneven loads or areas exposed to air movement
- Adjustable 3m wire suspensions provide the flexibility to fix from any angle, ideal for sloping ceilings Longer lengths available as variants
- Clutch adjustment mechanism allows quick and easy installation and levelling. Excess wire can safely be removed
- Twin pivoting suspensions ideal for grids and corners
- Easy to wire mechanical and electrical rod and wire suspensions enable discrete mains supply
- Wall mounting brackets for wall to wall installations (Lytebeam only)

Track Deflection Data

The data below gives an indication of the max distributed and point loads that can be taken before deflection of track will occur.

Do not exceed max load for individual suspensions.

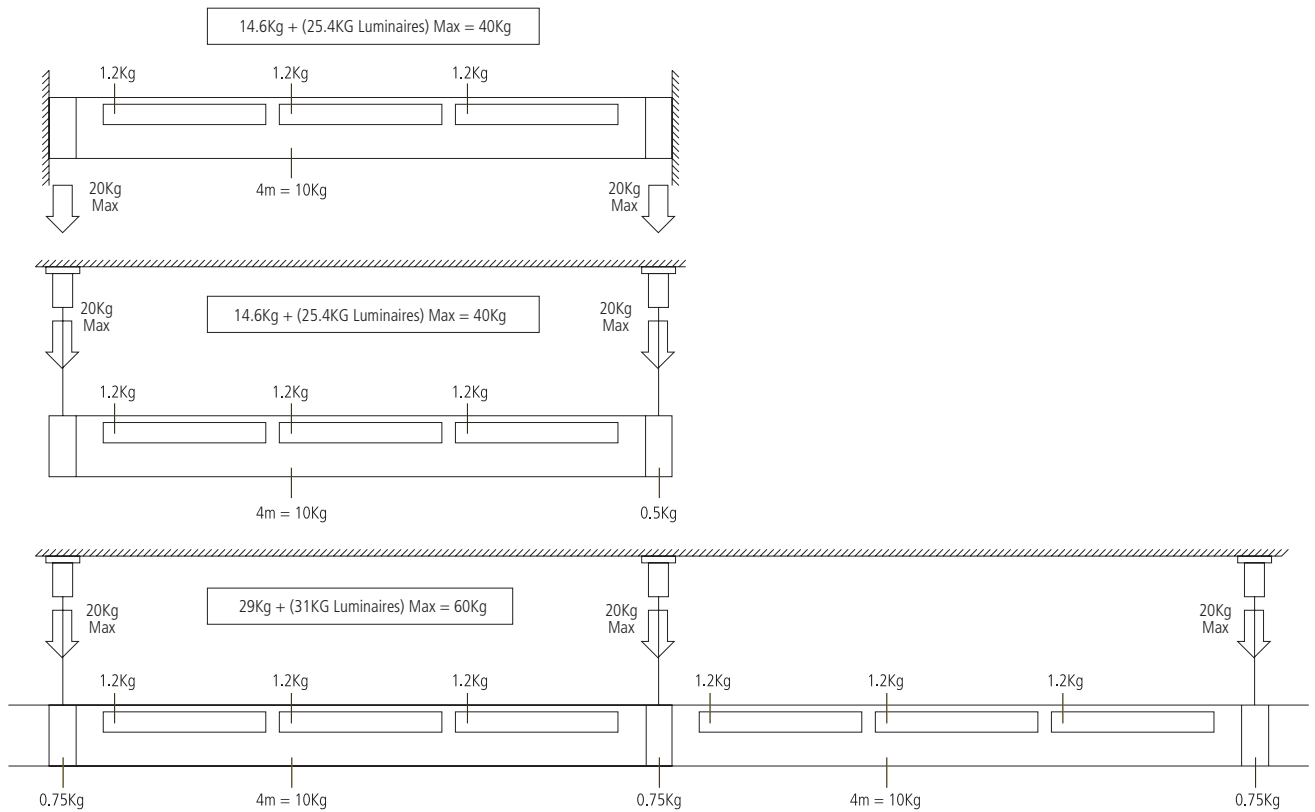
Data is for max spacing or 1.2m

Lytebeam track deflection data and maximum load

Max spacing for all Lytebeam suspensions 4m

Other Track Systems – Max spacing is 1.2m

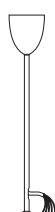
Track System	Maximum Allowable Load	
	Distributed	Point
Lytespan 1	7.40kg	4.60kg
Recessed Lytespan 1	21.60kg	13.50kg
Lytespan 3	32.00kg	20.00kg
Recessed Lytespan 3	46.00kg	28.50kg



Rod Extension (Mech only)



Rod Suspension (Mech/Elec)



Wall Mounting Bracket (Lytebeam only)



Mount Clip (Not Lytebeam)

