



## JAX FLAT MAJOR

### *Range Of Adjustable LED Downlights*

JAX Flat range combines a unique blend of form and function by providing lighting designers with extremely versatile luminaires and the ultimate in efficient performance. The smooth and easy tilt with rotational control coupled with a sleek rebated bezel work in harmony to reduce glare.

# JAX FLAT MAJOR

## Range Of Adjustable LED Downlights



### Features

- Constructed with a diecast bezel and drop forged heatsink
- Reflectors are anodised aluminium
- Interchangeable optics 20°/40°, standard 40°
- CRI 90+
- Available in 3000K & 4000K colour temperature
- Quick and Easy – installation
- Dimmable – refer driver platform for options
- 50,000 Hours (L70)
- Single and Twin mount 30W and 40W options depending on driver
  
- 3 years warranty

### Applications

- Designed for retail, commercial, and hospitality

### Specifications

	Single	Twin
Colour temp	3000K and 4000K	3000K and 4000K
Lumen output	See Chart	See Chart
CRI	>90	>90
Macadams step	3 SDCM	3 SDCM
Beam distribution	Symmetric	Symmetric
Default beam angle	40°	40°
Lumen maintenance	L70 50,000hrs	L70 50,000hrs
Control	Remote	Remote
Dimensions	Ø186 x 176	Ø376 x H:182
Cutout	Ø175mm	R87.5 x 190mm
Min recessed depth	206mm	212mm
Power factor	0.9	0.9
Electrical rating	Class III	Class III

### Option

Product Code	Description
JF186RN20	JAX Flat 20° Reflector

# JAX FLAT MAJOR

## Range Of Adjustable LED Downlights

### Technical Requirements

30W	Required Component		
	Driver		30W
	DAD32F07001	Non-Dim	700mA*
	DAD32D07001	DALI	
	DAD32V07001	1-10V	
* = Factory Default			

Body selection	Description	Wattage	Lumens Initial	Lumens Exit	mA setting
JF1863701A	JAX FLAT MAJOR 30W 3000K 40° REFL GEN6 WHITE	30	2234	1878	700
JF1864701A	JAX FLAT MAJOR 30W 3000K 40° REFL GEN6 BLACK	30	2234	1878	700
JF1863702A	JAX FLAT MAJOR 30W 4000K 40° REFL GEN6 WHITE	30	2234	1878	700
JF1864702A	JAX FLAT MAJOR 30W 4000K 40° REFL GEN6 BLACK	30	2234	1878	700
JFT3763701A*	JAX FLAT TWIN MAJOR 2X 30W 3000K 40° REF WHITE	2 x 30	2 x 2234	2 x 1876	700
JFT3763702A*	JAX FLAT TWIN MAJOR 2X 30W 3000K 40° REF BLACK	2 x 30	2 x 2234	2 x 1876	700
JFT3764701A*	JAX FLAT TWIN MAJOR 2X 30W 4000K 40° REF WHITE	2 x 30	2 x 2234	2 x 1876	700
JFT3764702A*	JAX FLAT TWIN MAJOR 2X 30W 4000K 40° REF BLACK	2 x 30	2 x 2234	2 x 1876	700

40W	Required Component		
	Driver		40W
	DAD50F10501	Non-Dim	1050mA*
	DAD50D10501	DALI	
	DAD50DV10501	1-10V	
* = Factory Default			

Body selection	Description	Wattage	Lumens Initial	Lumens Exit	mA setting
JF1863101	JAX FLAT MAJOR 40W 3000K 40° REFL GEN6 WHITE	40	3937	3374	1050
JF1863102	JAX FLAT MAJOR 40W 3000K 40° REFL GEN6 BLACK	40	3937	3374	1050
JF1864101	JAX FLAT MAJOR 40W 4000K 40° REFL GEN6 WHITE	40	4214	3611	1050
JF1864102	JAX FLAT MAJOR 40W 4000K 40° REFL GEN6 BLACK	40	4214	3611	1050
JFT3763101*	JAX FLAT TWIN MAJOR 2X 40W 3000K 40° REF WHITE	2 x 40	2 x 3937	2 x 3374	1050
JFT3763102*	JAX FLAT TWIN MAJOR 2X 40W 3000K 40° REF BLACK	2 x 40	2 x 3937	2 x 3374	1050
JFT3764101*	JAX FLAT TWIN MAJOR 2X 40W 4000K 40° REF WHITE	2 x 40	2 x 4124	2 x 3611	1050
JFT3764102*	JAX FLAT TWIN MAJOR 2X 40W 4000K 40° REF BLACK	2 x 40	2 x 4124	2 x 3611	1050

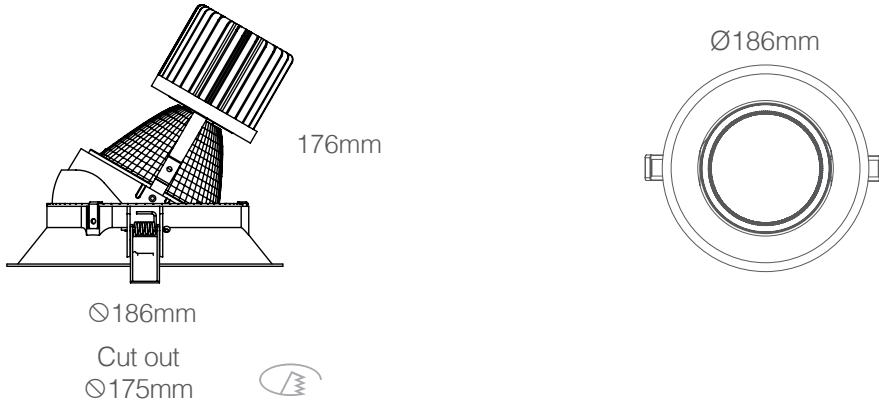
\*Requires 2 drivers per fitting

# JAX FLAT MAJOR

## Range Of Adjustable LED Downlights

### Technical Requirements

#### JAX FLAT MAJOR



#### JAX FLAT TWIN MAJOR

