

**Effective
and versatile
illumination**

Sportsline Floodlight

HIGH PERFORMANCE

The Sylvania Sportsline floodlight delivers effective and versatile illumination in areas where energy efficiency is a must. The two module system with individual adjustment allows for accurate aiming, combined with high lumens per watt means fewer luminaires are required. A purpose-built sports floodlight that is compact yet high-performance.

The unique layout of the Sportsline, consisting of two 600w modules making it suitable for retrofit solutions on existing HID installations.

With an impressive performance up to 130lms/w and several distribution options, the Sylvania Sportsline is an excellent choice for local sporting clubs, councils and end users.



PERFORMANCE SUMMARY

- Energy efficient, high performance LED floodlight
- High lumen efficacy up to 130lms/w
- High grade PMMA lens material designed for durability and efficacy
- Choice of symmetrical beam distributions
- Remote 240V control gear in either non dim or DALI options
- Die-cast aluminium body, UV stabilized powder coated for durability
- Complete with hood for optimal performance
- Fitted with heavy duty trunnion suitable for under and over slinging
- Optimal reliability with 5 year warranty

Where innovation comes to light



Sportsline Floodlight (cont.)

SPECIFICATIONS

Electrical Characteristics:

- Input voltage 240v – 50Hz/60Hz
- System Wattage: 1240w
- Power factor: 0.98
- Class III (Floodlight) Class I (Gear tray)
- Constant current driver
- Surge protection : 10kV

Optical Characteristics:

- Symmetrical distribution 15°, 30°, 60°, 90° and 120°
- CCT: 5700k
- CRI: 70
- High grade PMMA lens material designed for durability and efficacy

Mechanical Characteristics:

- Die-cast aluminium body, UV stabilized powder coated for durability
- Floodlight body sealed to IP66, control gear IP20
- Weight: 32Kgs
- Windage: 0.29m²
- Fitted with heavy duty trunnion suitable for under and over slinging

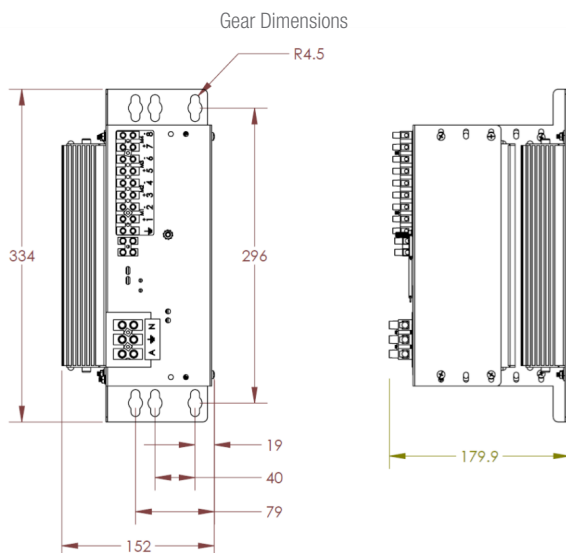
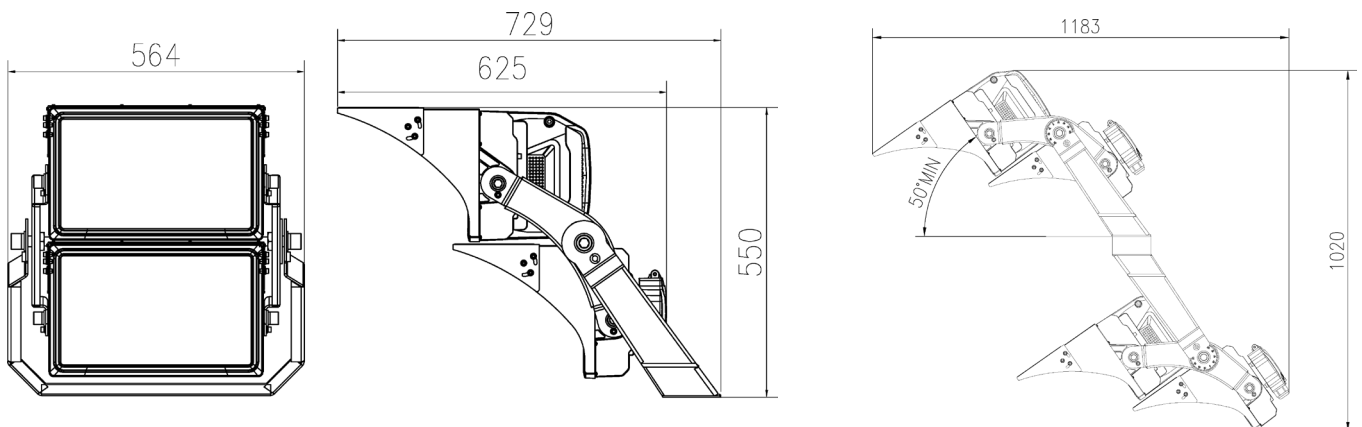
Performance Characteristics:

- High lumen efficacy up to 130lms/w
- Average rated life of 60,000hrs L70

Environmental & Standards:

- Ambient operational temps to: Ta 40°C
- Compliant to AS/NZS 60598.1:2017

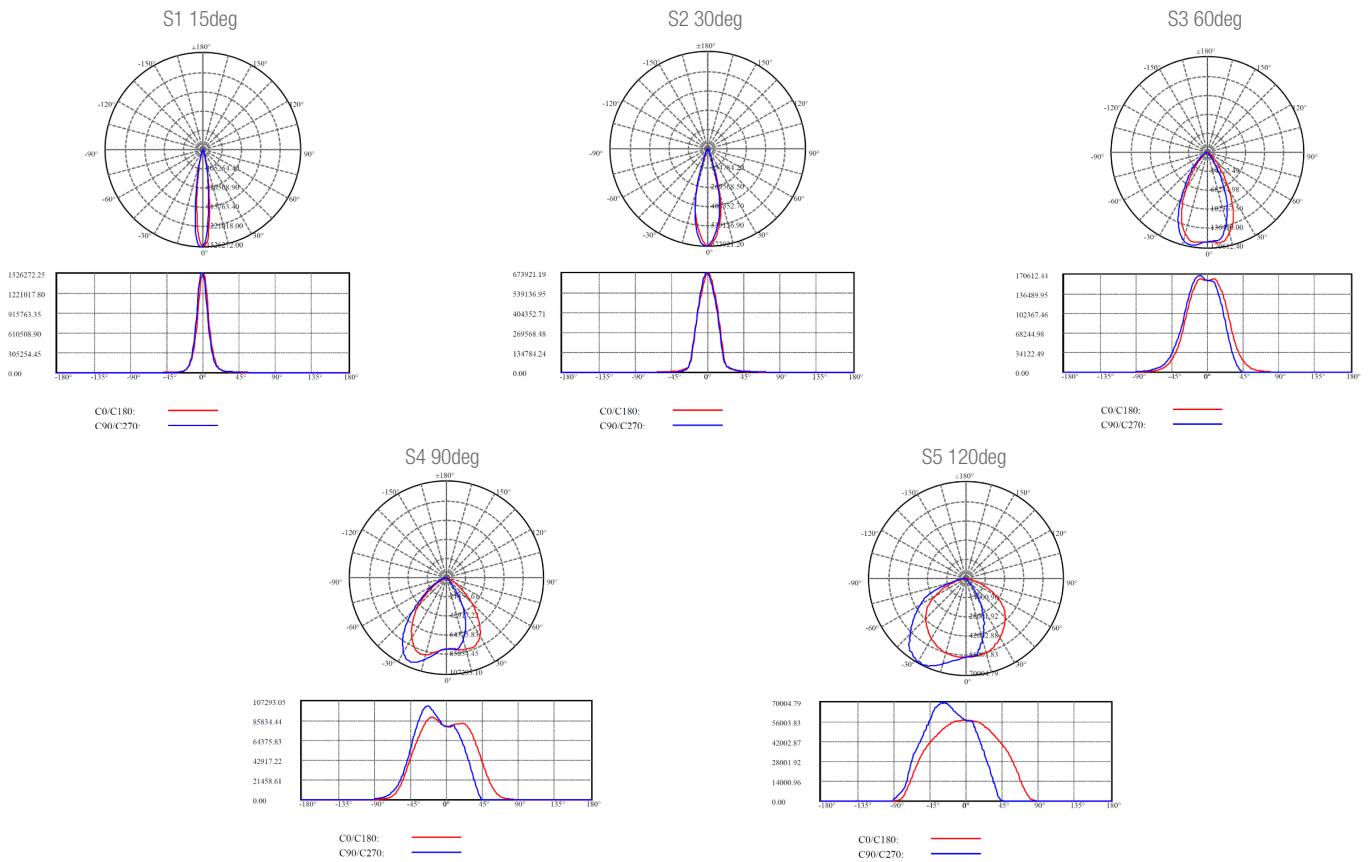
LINE DRAWINGS





Sportsline Floodlight (cont.)

PHOTOMETRICS



ORDER CODES

Product Code	Name	Dimension (mm) LxWxH	Mass (kg)	Light Distribution	Voltage	System Power	Colour Temperature	CRI	Installation type	Ambient Temperature	Ingress Protection	Impact Rating	Line Current	Power Factor
SS2H757S1	Sportsline 2 Module CRI70 5700k Sym 15 deg	704x544x530	32.0	Symmetric 15 deg	240V	1240W	5700K	70	Trunnion	Ta 40	IP66	IK08	5.2A	0.98
SS2H757S2	Sportsline 2 Module CRI70 5700k Sym 30 deg	704x544x530	32.0	Symmetric 30 deg	240V	1240W	5700K	70	Trunnion	Ta 40	IP66	IK08	5.2A	0.98
SS2H757S3	Sportsline 2 Module CRI70 5700k Sym 60 deg	704x544x530	32.0	Symmetric 60 deg	240V	1240W	5700K	70	Trunnion	Ta 40	IP66	IK08	5.2A	0.98
SS2H757S4	Sportsline 2 Module CRI70 5700k Sym 90 deg	704x544x530	32.0	Symmetric 90 deg	240V	1240W	5700K	70	Trunnion	Ta 40	IP66	IK08	5.2A	0.98
SS2H757S5	Sportsline 2 Module CRI70 5700k Sym 120 deg	704x544x530	32.0	Symmetric 120 deg	240V	1240W	5700K	70	Trunnion	Ta 40	IP66	IK08	5.2A	0.98

Product Code	Name	Dimension (mm) LxWxH	Mass (kg)	Surge Protection	Voltage	Ambient Temperature	Ingress Protection	Installation type
SS2HESB01	Sportsline 1200w Gear tray Non Dim	335x155x180	9.0	10kV	240V	Ta 40	IP20	Tray mount
SS2HASB01	Sportsline 1200w Gear tray DALI	335x155x180	9.0	10kV	240V	Ta 40	IP20	Tray mount

Where innovation comes to light