



CILINDRO II

LED Track Spot Light Range

Cilindro is an innovative family of LED track spotlights, which offer a range of lumen outputs, beam angles, colour temperatures and material finishes. With its simple discreet design, the Cilindro integrates into its environment, while its efficient LED module makes this family a perfect all round solution.

CILINDRO II

LED Track Spot Light Range



Features

- Diecast body
- Available in 3 sizes and 6 wattages
- Available in 3000K & 4000K colour temperature
- Lamp life 50,000 hours
- CRI 90+
- Suitable for Concord, Staff, Erco, Nordic, Eutrack, Global and Ivela 3 circuit tracks

Applications

- Designed for retail fit outs, commercial areas, transit corridors, break out areas, lobby's and common areas

Specifications

	Cilindro II 65	Cilindro II 95	Cilindro II 105
Colour Temp	3000K and 4000K	3000K and 4000K	3000K and 4000K
Lumen Output	See Chart	See Chart	See Chart
CRI	90+	90+	90+
Macadams Step	3 SDCM	3 SDCM	3 SDCM
Beam Distribution	Symmetric	Symmetric	Symmetric
Default Beam Angle	24°	24°	24°
Lumen Maintenance	L70 50,000hrs	L70 50,000hrs	L70 50,000hrs
Control	Non Dimmable	Non Dimmable	Non Dimmable
Dimensions	Ø65 x L:183 x H:161mm	Ø95 x L:200 x H:194mm	Ø105 x L:200 x H:204mm
Mounting	3C Universal Track Adaptor	3C Universal Track Adaptor	3C Universal Track Adaptor
Electrical Rating	Class II	Class II	Class II

Option

Product Code	Description	
CI06515	Cilindro 65 15° Reflector	
CI06524	Cilindro 65 24° Reflector*	
CI06536	Cilindro 65 36° Reflector	
CI09515	Cilindro 95 15° Reflector	Suitable for Cilindro 95 28W Only
CI09524	Cilindro 95 24° Reflector*	Suitable for Cilindro 95 28W Only
CI09526	Cilindro 95 36° Reflector	Suitable for Cilindro 95 28W Only
CI09560	Cilindro 95 60° Reflector	Suitable for Cilindro 95 28W Only
CI10515	Cilindro 105 15° Reflector	Suitable for Cilindro 95 32W & Cilindro 105
CI10524	Cilindro 105 24° Reflector*	Suitable for Cilindro 95 32W & Cilindro 105
CI10536	Cilindro 105 36° Reflector	Suitable for Cilindro 95 32W & Cilindro 105
CI10560	Cilindro 105 60° Reflector	Suitable for Cilindro 95 32W & Cilindro 105

Note: * Indicates Default Reflector

CILINDRO II

LED Track Spot Light Range

Technical Requirements

CILINDRO II 65

Body Selection	Description	Colour Temp	mA Factory Default Setting	Lumens Initial	Lumens Exit	Wattage	CRI	Life / L70	Finishes
CI065330112A	CILINDRO 65 12W L3 3K 24D W	3000K	300mA	950	907	12W	90+	50,000	Matte White Matte Black Matte Silver
CI065430112A	CILINDRO 65 12W L3 4K 24D W	4000K	300mA	1000	959	12W	90+	50,000	
CI065330212A	CILINDRO 65 12W L3 3K 24D B	3000K	300mA	950	907	12W	90+	50,000	
CI065430212A	CILINDRO 65 12W L3 4K 24D B	4000K	300mA	1000	959	12W	90+	50,000	
CI065330312A	CILINDRO 65 12W L3 3K 24D S	3000K	300mA	950	907	12W	90+	50,000	
CI065430312A	CILINDRO 65 12W L3 4K 24D S	4000K	300mA	1000	959	12W	90+	50,000	
CI065350118A	CILINDRO 65 18W L3 3K 24D W	3000K	500mA	1450	1415	18W	90+	50,000	
CI065450118A	CILINDRO 65 18W L3 4K 24D W	4000K	500mA	1520	1484	18W	90+	50,000	
CI065350218A	CILINDRO 65 18W L3 3K 24D B	3000K	500mA	1450	1415	18W	90+	50,000	
CI065450218A	CILINDRO 65 18W L3 4K 24D B	4000K	500mA	1520	1484	18W	90+	50,000	
CI065350318A	CILINDRO 65 18W L3 3K 24D S	3000K	500mA	1450	1415	18W	90+	50,000	
CI065450318A	CILINDRO 65 18W L3 4K 24D S	4000K	500mA	1520	1484	18W	90+	50,000	
CI065385130TA	CILINDRO 65 30W L3 3K 24D T W	3000K	800mA	2000	1881	30W	90+	50,000	
CI065485130TA	CILINDRO 65 30W L3 4K 24D T W	4000K	800mA	2200	2129	30W	90+	50,000	
CI065385230TA	CILINDRO 65 30W L3 3K 24D T B	3000K	800mA	2000	1881	30W	90+	50,000	
CI065485230TA	CILINDRO 65 30W L3 4K 24D T B	4000K	800mA	2200	2129	30W	90+	50,000	
CI065385330TA	CILINDRO 65 30W L3 3K 24D T S	3000K	800mA	2000	1881	30W	90+	50,000	
CI065485330TA	CILINDRO 65 30W L3 4K 24D T S	4000K	800mA	2200	2129	30W	90+	50,000	

CILINDRO II

LED Track Spot Light Range

Technical Requirements

CILINDRO II 95

Body Selection	Description	Colour Temp	mA Factory Default Setting	Lumens Initial	Lumens Exit	Wattage	CRI	Life / L70	Finishes
CI095370125A	CILINDRO 95 25W L3 3K 24D W	3000K	700mA	2300	2228	25W	90+	50,000	Matte White Matte Black Matte Silver
CI095470125A	CILINDRO 95 25W L3 4K 24D W	4000K	700mA	2500	2427	25W	90+	50,000	
CI095370225A	CILINDRO 95 25W L3 3K 24D B	3000K	700mA	2300	2228	25W	90+	50,000	
CI095470225A	CILINDRO 95 25W L3 4K 24D B	4000K	700mA	2500	2427	25W	90+	50,000	
CI095370325A	CILINDRO 95 25W L3 3K 24D S	3000K	700mA	2300	2228	25W	90+	50,000	
CI095470325A	CILINDRO 95 25W L3 4K 24D S	4000K	700mA	2500	2427	25W	90+	50,000	
CI095390132A	CILINDRO 95 32W L3 3K 24D W	3000K	900mA	2900	2749	32W	90+	50,000	
CI095490132A	CILINDRO 95 32W L3 4K 24D W	4000K	900mA	3000	2955	32W	90+	50,000	
CI095390232A	CILINDRO 95 32W L3 3K 24D B	3000K	900mA	2900	2749	32W	90+	50,000	
CI095490232A	CILINDRO 95 32W L3 4K 24D B	4000K	900mA	3000	2955	32W	90+	50,000	
CI095390332A	CILINDRO 95 32W L3 3K 24D S	3000K	900mA	2900	2749	32W	90+	50,000	
CI095490332A	CILINDRO 95 32W L3 4K 24D S	4000K	900mA	3000	2955	32W	90+	50,000	

CILINDRO II 105

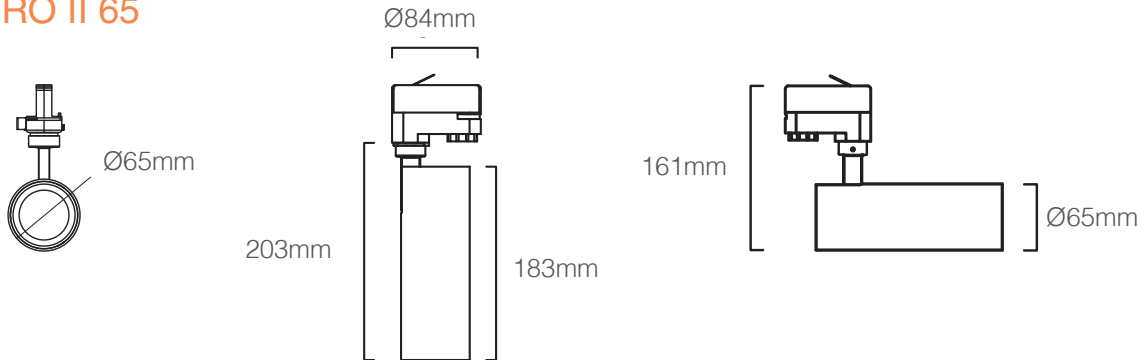
Body Selection	Description	Colour Temp	mA Factory Default Setting	Lumens Initial	Lumens Exit	Wattage	CRI	Life / L70	Finishes
CI105310140A	CILINDRO 105 40W L3 3K 24D W	3000K	1050mA	3450	3345	40W	90+	50,000	Matte White Matte Black Matte Silver
CI105410140A	CILINDRO 105 40W L3 4K 24D W	4000K	1050mA	3500	3401	40W	90+	50,000	
CI105310240A	CILINDRO 105 40W L3 3K 24D B	3000K	1050mA	3450	3345	40W	90+	50,000	
CI105410240A	CILINDRO 105 40W L3 4K 24D B	4000K	1050mA	3500	3401	40W	90+	50,000	
CI105310340A	CILINDRO 105 40W L3 3K 24D S	3000K	1050mA	3450	3345	40W	90+	50,000	
CI105410340A	CILINDRO 105 40W L3 4K 24D S	4000K	1050mA	3500	3401	40W	90+	50,000	

CILINDRO II

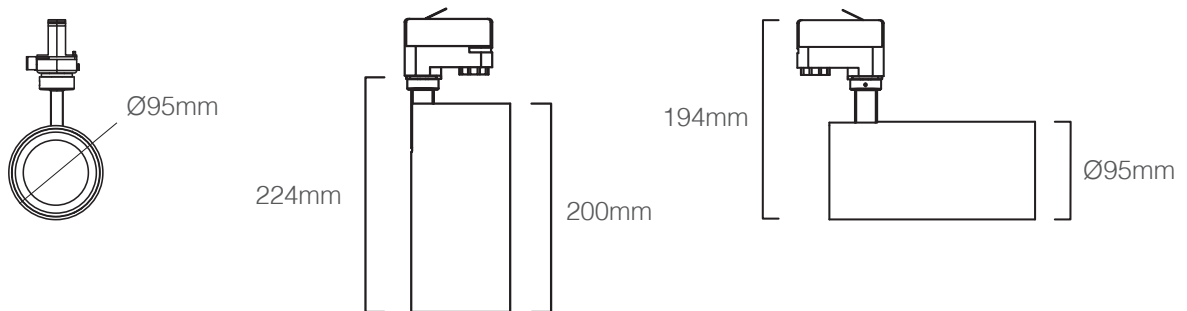
LED Track Spot Light Range

Technical Requirements

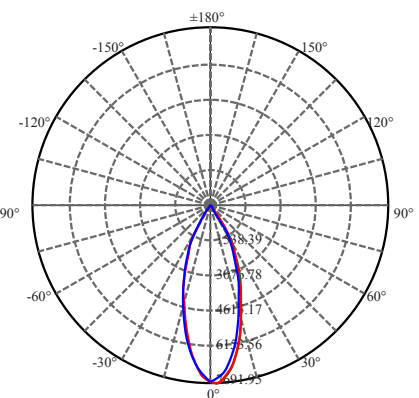
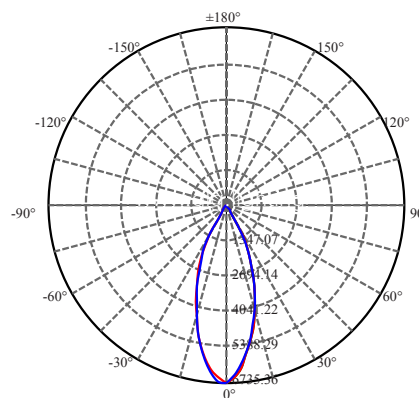
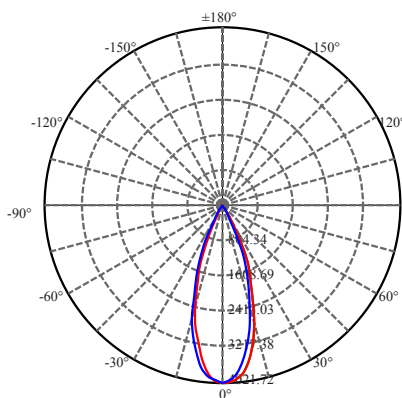
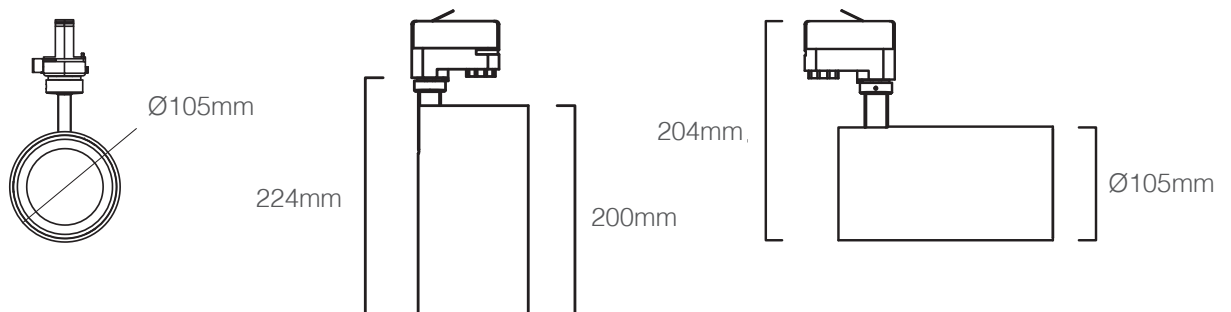
CILINDRO II 65



CILINDRO II 95



CILINDRO II 105





CILINDRO II WALL WASHER

LED Track Spot Light Range

Cilindro is an innovative family of LED track spotlights, which offer a range of lumen outputs, beam angles, colour temperatures and material finishes. With its simple discreet design, the Cilindro integrates into its environment, while its efficient LED module makes this family a perfect all round solution. The wall washer features an advanced glass lens with super-max 140 degree wall wash; ideal for wide spacing of luminaries in retail environments, and is aesthetically aligned to compliment the Cilindro range.

CILINDRO II WALL WASHER

LED Track Spot Light Range



Features

- Diecast body
- Available in 3000K & 4000K colour temperature
- Super-max, 140 degree wall wash, ideal for base light layering
- Advanced glass lens
- Aesthetically aligned to compliment the Cilindro range
- Available in White, Black and Silver
- Lamp life 50,000 hours
- CRI 90+
- Suitable for Staff, Erco, Nordic, Eutrack, Global and Ivela 3 circuit tracks

Applications

- Designed for retail fit outs, commercial areas, transit corridors, break out areas, lobby's and common areas

Specifications

Cilindro WW	
Colour Temp	3000K and 4000K
Lumen Output	See Chart
CRI	90+
Macadams Step	3 SDCM
Beam Distribution	Asymmetric
Default Beam Angle	80-140 degree glass optic
Lumen Maintenance	L70 50,000hrs
Control	Non-Dimmable
Dimensions	Ø105 x L:162x H:204mm
Mounting	3C Universal Track Adaptor
Electrical Rating	Class II

Note: * Indicates Default Reflector

CILINDRO II WALL WASHER

LED Track Spot Light Range

Technical Requirements

CILINDRO II WALL WASHER

Body Selection	Description	Colour Temp	mA Factory Default Setting	Lumens Initial	Lumens Exit	Wattage	CRI	Life / L70	Finishes
CIW105310140A	CILINDRO 105 40W L3 3K WASHER W	3000K	1050mA	3450	2965	40W	90+	50,000	Matte White Matte Black
CIW105410140A	CILINDRO 105 40W L3 4K WASHER W	4000K	1050mA	3500	3107	40W	90+	50,000	
CIW105310240A	CILINDRO 105 40W L3 3K WASHER B	3000K	1050mA	3450	2965	40W	90+	50,000	
CIW105410240A	CILINDRO 105 40W L3 4K WASHER B	4000K	1050mA	3500	3107	40W	90+	50,000	

Technical Requirements

CILINDRO II WALL WASHER

