

Pierlux Eco Highbay Gen5



ECOHB120W850G5



ECOHB170W850G5
ECOHB200W850LS

PLEASE READ THESE INSTALLATION INSTRUCTIONS CAREFULLY BEFORE INSTALLING OR MAINTAINING THIS EQUIPMENT. THE PRODUCT IS DESIGNED FOR INSTALLATION AND MAINTENANCE IN ACCORDANCE WITH RELEVANT AUSTRALIAN STANDARDS (AS3000) AND LOCAL REGULATIONS (WHERE APPLICABLE), BY AN AUTHORISED AND LICENCED ELECTRICIAN. THE INSTALLATION INSTRUCTIONS WERE CORRECT AT THE TIME OF PRINT. TO REFLECT CHANGES IN TECHNOLOGY AND AUSTRALIAN STANDARDS, GERARD LIGHTING RESERVES THE RIGHT TO AMEND THE INSTRUCTIONS WITHOUT NOTICE. UPDATED GUIDELINES CAN BE FOUND ON THE RELEVANT BRAND WEB SITE.

IMPORTANT - THE PRODUCT MUST BE MAINTAINED AND OPERATED IN ACCORDANCE WITH THE MANUFACTURER'S INSTRUCTIONS, FAILURE TO DO SO MAY DAMAGE THE PRODUCT AND SERVICES. IT IS STRONGLY RECOMMENDED THAT THIS IMPORTANT NOTE BE COMMUNICATED TO THE OWNER AND OR OPERATOR OF THE INSTALLATION AT THE TIME OF SITE COMMISSIONING. GOOD PRACTICE DOES NOT RECOMMEND THE 24/7 USE OF PRODUCTS WITHOUT THE APPLICATION OF SUITABLE SWITCH CYCLE INTERVALS. FURTHERMORE, WITH THE OMISSION OF NOMINATED SURVIVAL CURVES AND OR RECOMMENDED OPERATING HOURS, PRODUCT DESIGN EXPECTATIONS PROVIDE FOR A CONTINUAL DAILY USAGE OF 6 HOURS FOR RESIDENTIAL APPLICATIONS AND A CONTINUAL DAILY USAGE OF 12 HOURS FOR COMMERCIAL AND INDUSTRIAL APPLICATIONS. ALL PRODUCTS MUST BE THOROUGHLY CLEANED ON A REGULAR BASIS AT INTERVALS THAT REFLECT IN THE INSTALLATION ENVIRONMENT, ENSURING THE OPTICAL PERFORMANCE, TOGETHER WITH THE ELECTRICAL, MECHANICAL AND STRUCTURAL INTEGRITY AS DESIGNED, IS MAINTAINED THROUGHOUT THE SERVICE LIFE OF THE PRODUCT.



1. PRODUCT SPECIFICATION:

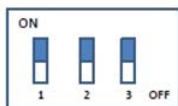
	ECOHB120W850G5	ECOHB170W850G5	ECOHB200W850LS
Type of Protection	Class I Luminaire		
Body Material	Die cast aluminium/sheet metal		
Finish	Black (only) powder coated		
Circuit Wattage	120W	170W	200W
Nominal Voltage	240V		
Line Current	0.5A	0.71A	0.83A
Nominal Freq. (Hz)	50Hz		
Power factor	>0.95		
Inrush current	Cold start at 25 degree celsius 65A(TYP), t50s240µs@230V		
Earth Leakage current	0.7mA	0.7mA	0.7mA
Rated operating ambient temperature	-20 to +50 degree celsius		
LED lifetime (L70 B50) @ TA ≤ 50 °C	50,000 hours		
IP Rating	IP65		
Suitable for direct mounting on flammable surfaces	No		
Dimmable	Yes, 1-10V ONLY	Yes, 1-10V ONLY	No
Installation orientation	Suspended Surface mounted with optional bracket (sold separately)		
Installation type	Fixed		
Designed application	Industrial (Interior)		
Electrical connection	supplied with 3-pin flex and plug		
Dimensions	295mm x 295 mm x 150.1mm	328mm x 328mm x 157mm	328mm x 328mm x 157mm
Net Weight of luminaire	2.5 kg	3.5 kg	3.5 kg

2. LUMINAIRE TABLE

Product Code #	Power (W)	CRI	CCT (K)	Integral 1-10V Dimmable LED driver	Voltage	Optics in degrees	Line Current (A)	Lumen Output (Lm)	Supply Cable
ECOHB120W850G5	120W	>80	5000	Yes	240V	115°	0.5A	18,000lm	1.7m flex and plug
ECOHB170W850G5	170W	>80	5000	Yes	240V	115°	0.71A	25,500lm	1.7m flex and plug
ECOHB200W850LS	100W/150W/170W/200W selectable	>80	5000	NA	240V	115°	0.83A	15,000lm 22,500lm 30,000lm	1.7m flex and plug



* ECOHB200W850LS – The lumen output can be altered by changing the driver dip switches from the factory default setting to the driver milliamps as specified in the table. Dip switches are located next to suspension hook of the Highbay.



Dip Switch Setting			Lumen Output
1	2	3	lm
Off	Off	Off	30,000
On	Off	Off	25,500
Off	On	Off	22,500
Off	Off	On	15,000

*Note: Make sure to disconnect power before changing a DIP switch on the luminaires. Setting the DIP switches of ECOHB200W850LS according to the above ONLY. All other settings may affect the luminaires performance. After setting, secure the silicon cover over the DIP switches.

3. LUMINAIRES PER CIRCUIT BREAKER

ECOHB120W850G5	
120W Eco Highbay G5	
Specification Item	Value
Inrush Current Ipeak	65A
Duration T50 @ 50% Ipeak	240uS
Miniature Circuit Breaker	QTY
Drivers per MCB 10A Type B	4
Drivers per MCB 16A Type B	7
Drivers per MCB 20A Type B	9
Drivers per MCB 25A Type B	11
Drivers per MCB 10A Type C	7
Drivers per MCB 16A Type C	12
Drivers per MCB 20A Type C	15
Drivers per MCB 25A Type C	19
Drivers per MCB 10A Type D	12
Drivers per MCB 16A Type D	19
Drivers per MCB 20A Type D	24
Drivers per MCB 25A Type D	31

ECOHB170W850G5	
170W Eco Highbay G5	
Specification Item	Value
Inrush Current Ipeak	65A
Duration T50 @ 50% Ipeak	240uS
Miniature Circuit Breaker	QTY
Drivers per MCB 10A Type B	4
Drivers per MCB 16A Type B	7
Drivers per MCB 20A Type B	9
Drivers per MCB 25A Type B	11
Drivers per MCB 10A Type C	7
Drivers per MCB 16A Type C	12
Drivers per MCB 20A Type C	15
Drivers per MCB 25A Type C	19
Drivers per MCB 10A Type D	8
Drivers per MCB 16A Type D	14
Drivers per MCB 20A Type D	17
Drivers per MCB 25A Type D	21

ECOHB120W850G5	
200W Eco Highbay G5	
Specification Item	Value
Inrush Current Ipeak	65A
Duration T50 @ 50% Ipeak	240uS
Miniature Circuit Breaker	QTY
Drivers per MCB 10A Type B	4
Drivers per MCB 16A Type B	7
Drivers per MCB 20A Type B	9
Drivers per MCB 25A Type B	11
Drivers per MCB 10A Type C	6
Drivers per MCB 16A Type C	10
Drivers per MCB 20A Type C	13
Drivers per MCB 25A Type C	16
Drivers per MCB 10A Type D	7
Drivers per MCB 16A Type D	12
Drivers per MCB 20A Type D	15
Drivers per MCB 25A Type D	19

*Note: the quantities noted above is a general guide only. All specs must be checked with all components within the installed/intended equipment

4. ACCESSORIES (TO BE PURCHASED SEPARATELY):

Product Code	Accessories	Suitable for Pierlux Eco Highbay Gen5
ECOHB120BRKT	Surface mounting bracket kit 166.5 x 115 x 29mm	ECOHB120W850G5
ECOHB170200BRKT	Surface mounting bracket kit 205 x 137 x 30mm	ECOHB170W850G5 ECOHB200W850LS
ECOHBG5ALREF	Anodized aluminium reflector 434.5 mm x 434.5mm x 16.5mm	ECOHB120W850G5 ECOHB170W850G5 ECOHB200W850LS
ECOHBG5PCREF	Transparent polycarbonate reflector 410mm x 410 mm x 141mm	ECOHB120W850G5 ECOHB170W850G5 ECOHB200W850LS
ECOHBG5SMCOV	Anodized aluminium dust cover 327 mm x 327 mm x 102 mm	ECOHB120W850G5
ECOHBG5LRCOV	Anodized aluminium dust cover 359 mm x 359 mm x 108.5 mm	ECOHB170W850G5 ECOHB200W850LS

5. APPROVALS: The RCM marking of this product applies to AS/NZS CISPR15 (EMC) "Limits and methods of measurement of radio disturbance characteristics of electrical lighting and similar equipment". This product is designed to conform to AS/NZS60598 "Luminaires, general requirements and tests".



6. STORAGE: Prior to installation products are to be stored in cool and dry conditions.

7. APPLICATION: The installation application and orientation of the product is designed in accordance with the nominated product IP rating, class designation and these installation instructions. Installation environments and operating conditions beyond these instructions are not recommended.

8. INSTALLATION / GENERAL: Installation of the product is to be completed by an authorized and licensed electrician, in accordance with these instructions, relevant Australia standards and local regulations (where applicable). Termination of product wiring, together with the installation of the product must be in a manner and orientation that maintains the integrity of the designated IP rating of the product for electronic control equipment (when supplied) DO NOT MEGGER between A and N.

9. INSTALLATION / SPECIAL CONDITIONS (relevant only for products approved for such an installation):

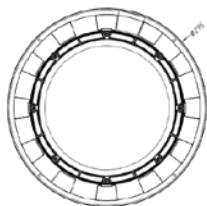
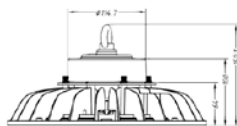
(a) products installed in high wind environments must have suitable installation / fastening methods applied to ensure the product's mounting points are not damaged through, corrosion, constant vibration and or movement. Exterior products are designed with precise vertical aiming limits, which should not be exceeded. Any vertical floodlight aiming requirements should be specifically validated in writing with the relevant brand before consideration.

(b) products installed in corrosive or salt laden environments require special consideration and such; specific product selection, inclusive of suitable fastening methods and extensive ongoing maintenance of products installed in these environments require professional advice. It is essential that all aspects of the product selection, material specification and maintenance are specifically designed for such use and a cleaning program be adopted that maintains the design integrity of the product.

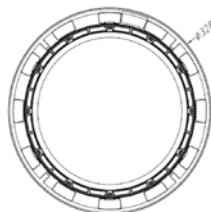
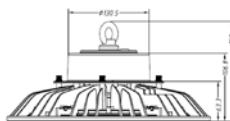
(c) interior highbay products must be vertically suspended. The method of suspension (chain etc.) must be able to support at least 5 times the total weight of the fitting. Do not install where air movement will cause the fitting to swing about, causing wear and tear of attachment points. Luminaires should be installed where access for maintenance is practical and allows for maintenance to be completed in accordance with the manufacturer's recommendations.

(d) interior (downlight) products must be installed to ensure the lamp unit or the driver (if supplied) are not covered with any combustible materials or insulation; minimum spacing's nominated for these materials are mandatory. Unless otherwise specified, minimum clearances are in accordance with AS3000 requirements. The product is not designed for installation environments which restrict conventional airflow movements e.g.: enclosed boxes or concrete profiles. For dimming purposes please see the relevant product brand web site for the dimming compatibility chart. When mounting multiple fixtures to conductive structures, it is recommended that the structure is earthed. The mounting facilities provided for the transformer/driver (if any), need only be utilized if in the application of the product is required by AS3000. IP ratings stated (if any) are from below the ceiling unless stated otherwise and the installation of the product must be in a manner that maintains the integrity of the relevant IP rating.

10. DRAWINGS



ECOHB120W850G5



ECOHB170W850G5
 ECOHB200W850L5

11. MAINTENANCE:

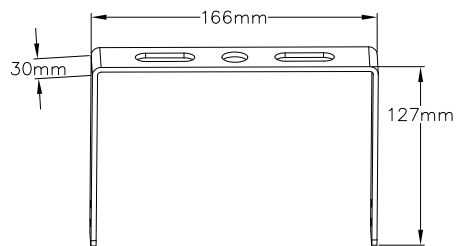
(a) The supply must be isolated before opening or accessing the luminaire. Product maintenance is IMPORTANT and is critical to the products designed performance. The product is to be maintained in accordance with the manufacturer's instructions. For the latest product maintenance guides please go to relevant brand web site. Gerard Lighting is not responsible for any product not maintained in accordance with the recommended procedure or intervals. (b) **lamps (where provided):** The product is designed with the supplied (LEDs) / LAMP/s and it is strongly recommended that any LAMP / (LEDs) changes (if any) be made in accordance with the type, colour and brand supplied. For recommended LAMP / LED maintenance or operating guides (Inclusive of recommended product switch cycles and mandatory run-in procedures for HID and Fluorescent lamps when used with dimming circuits), Gerard Lighting recommends the application of the lamp manufacturer's operating guidelines, which can be found on manufacturer's website. Gerard Lighting is not responsible for the product performance of alternative lamp/s used. As a member of FluroCycle, we encourage recycling of lamps and components. (c) **battery (where provided):** The battery is designed with a rated average battery design life of 25,000 hours in standby mode. The battery is supported with a standard 3-year warranty; conditional of the product being maintained and operated in accordance with the manufacturer's guidelines and tested in accordance with AS/NZS2293. For guidelines see product installation instructions or visit the relevant brand web site. (d) **for products supplied with glass visors or covers,** do not operate the product with a damaged visor or cover; it is recommended the product be turned off, area surrounding the product vacated and the damaged glass replaced by a professional installer immediately.

12. WARRANTY INSTRUCTIONS: For the purpose of warranty claims (if any) the following instructions apply:

Warranty components – THE PRODUCT, (identified as the PRODUCT only). **Warranty period** - The above components are provided with a warranty of **five (5) year/s** or 25,000 hours of operations (which ever arrives first) against manufacturing defects or failure to perform to specifications for products installed by an authorised installer in accordance with the manufacturer's installation instructions and which have not been subject to incorrect operation or maintenance, unauthorised modification or damage arising from any intervening cause. **Warranty reference** - The warranty reference date commences from the date of purchase. **Warranty point of contact** – Gerard Lighting Pty Ltd, 96 Gow Street Padstow NSW 2211, phone T 02 9794 9300 contact – Gerard Lighting After Sales Support.

Warranty claim procedure – For the purpose of making a claim the customer must:

1. Contact the "point of contact" above and upon provision of proof of purchase the customer will receive a goods return advice (GRA) number. 2. At the customer's expense, collect and return the goods to the "point of contact" with the issued GRA number. 3. Upon receipt of the goods, Gerard Lighting will review the claim and if found to be accepted, Gerard Lighting will return a replacement product to the customer to install at the customer's expense. Alternatively if the claim is rejected, the customer may request the return of the goods at their expense. **Consumer Contracts** - The benefits to the customer given by the Gerard Lighting warranty are in addition to other rights and remedies of the customer if the goods are the subject of a Consumer Contract under the Australian Consumer Law. In that event the following statement is required to be brought to the Consumer's attention: - *Our goods come with guarantees that cannot be excluded under the Australian Consumer Law. You are entitled to a replacement or refund for a major failure and for compensation for any other reasonably foreseeable loss or damage. You are also entitled to have the goods repaired or replaced if the goods fail to be of acceptable quality and the failure does not amount to a major failure.* **Limitation of Liability** – if the goods are not purchased by the customer under a Consumer Contract within the Australian Consumer Law then but not otherwise: - (a) the Company is not liable in tort for any loss or damage suffered by the customer or by any third party; and (b) in no circumstances is Gerard Lighting liable to the customer or to any third party for any loss of profits, loss of anticipated savings, economic loss or interruption of business or for any indirect or consequential loss (Consequential Loss). **Terms of Sale** – these Warranty provisions are in substitution for any inconsistent provisions in the Gerard Lighting Terms and Conditions of Sale in so far as they apply to the Warranty components.



ECOHB120BRKT
X1pcs



Bracket base
X2pcs



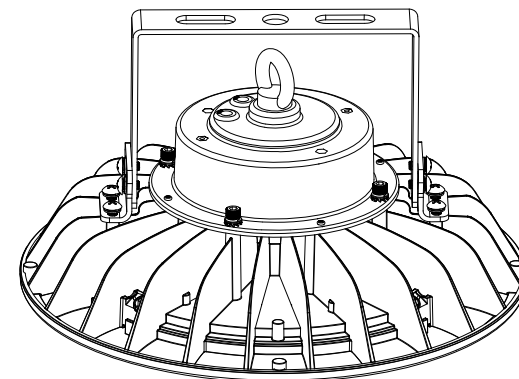
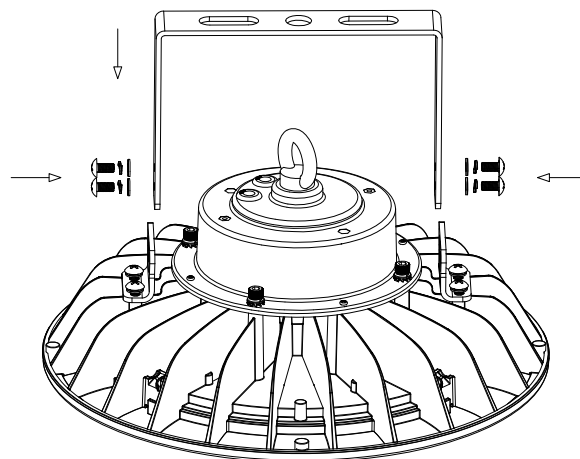
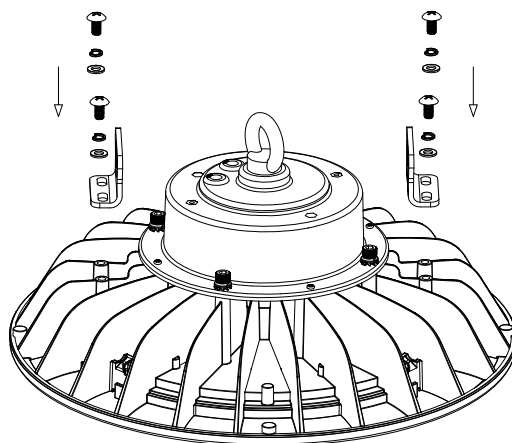
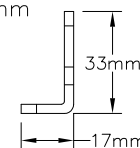
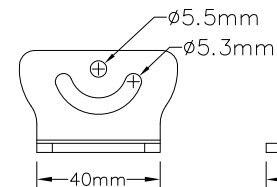
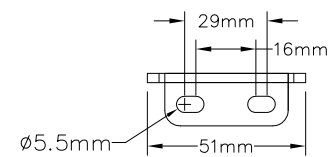
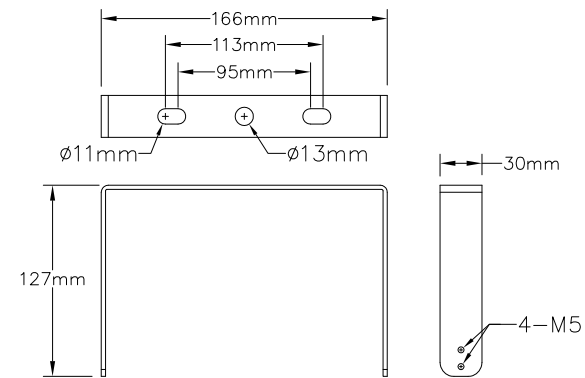
Screws TM5X10
X8pcs

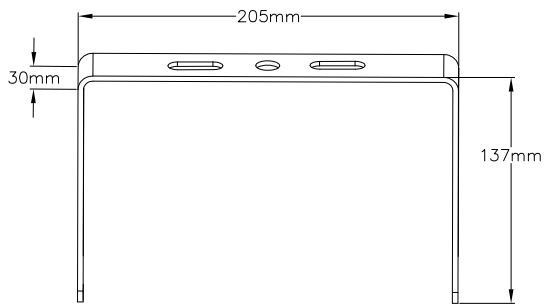


Spring washer M5
X8pcs



Washer M5
X8pcs





ECOHB170200BRKT
X1pcs



Bracket base
X2pcs



Screws TM5X10
X8pcs



Spring washer M5
X8pcs



Washer M5
X8pcs

