

INSTALLATION / WARRANTY INSTRUCTIONS

PRODUCT BRAND - PIERLITE
PRODUCT NAME / CODES - BWP LED PRO 2 Weatherproof Batten

PLEASE READ THESE INSTALLATION INSTRUCTIONS CAREFULLY BEFORE INSTALLING OR MAINTAINING THIS EQUIPMENT. THE PRODUCT IS DESIGNED FOR INSTALLATION AND MAINTENANCE IN ACCORDANCE WITH RELEVANT AUSTRALIAN STANDARDS (AS3000) AND LOCAL REGULATIONS (WHERE APPLICABLE), BY AN AUTHORISED AND LICENCED ELECTRICIAN. THE INSTALLATION INSTRUCTIONS WERE CORRECT AT THE TIME OF PRINT. TO REFLECT CHANGES IN TECHNOLOGY AND AUSTRALIAN STANDARDS; GERARD LIGHTING RESERVES THE RIGHT TO AMEND THE INSTRUCTIONS WITHOUT NOTICE. UPDATED GUIDELINES CAN BE FOUND ON THE RELEVANT BRAND WEB SITE. **IMPORTANT** - THE PRODUCT MUST BE MAINTAINED AND OPERATED IN ACCORDANCE WITH THE MANUFACTURER'S INSTRUCTIONS, FAILURE TO DO SO MAY DAMAGE THE PRODUCT AND SERVICES. IT IS STRONGLY RECOMMENDED THAT THIS IMPORTANT NOTE BE COMMUNICATED TO THE OWNER AND OR OPERATOR OF THE INSTALLATION AT THE TIME OF SITE COMMISSIONING. GOOD PRACTICE DOES NOT RECOMMEND THE 24/7 USE OF PRODUCTS WITHOUT THE APPLICATION OF SUITABLE SWITCH CYCLE INTERVALS. FURTHERMORE, WITH THE OMISSION OF NOMINATED SURVIVAL CURVES AND OR RECOMMENDED OPERATING HOURS, PRODUCT DESIGN EXPECTATIONS PROVIDE FOR A CONTINUAL DAILY USAGE OF 6 HOURS FOR RESIDENTIAL APPLICATIONS AND A CONTINUAL DAILY USAGE OF 12 HOURS FOR COMMERCIAL AND INDUSTRIAL APPLICATIONS. ALL PRODUCTS MUST BE THOROUGHLY CLEANED ON A REGULAR BASIS AT INTERVALS THAT REFLECT IN THE INSTALLATION ENVIRONMENT, ENSURING THE OPTICAL PERFORMANCE, TOGETHER WITH THE ELECTRICAL, MECHANICAL AND STRUCTURAL INTEGRITY AS DESIGNED, IS MAINTAINED THROUGHOUT THE SERVICE LIFE OF THE PRODUCT.



For the latest product online reference data, simply install and activate a QR code scanner application on your smartphone. For more information refer brand web.



1. PRODUCT SPECIFICATION:

Product brand	- Pierlite
Type of Protection	- Class I
IP Rating - for interior products, the IP rating nominated is "from below the ceiling" unless specifically nominated.	- IP 65
Nominal design Voltage	- 240V
Luminaire Specification:	
Important – when installing electronic or HID lighting equipment, the installer must consider the in-rush start current (if any) as documented on the control gear identification label when selecting appropriate circuit controls or protective devices.	
Power factor	- 0.9
Nominal Freq. (Hz)	- 50 Hz
Rated Maximum Ambient Temperature	- 40°C
Suitable for direct mounting on flammable surfaces	- NO
Dimmable (if relevant refer brand web for approved list)	- NO
Installation orientation	- Ceiling Mount
Designed application	- Exterior
Rated average design life	- 72,000 hours (to L70)

2. APPROVALS: The RCM marking of this product applies to AS/NZS CISPR15 (EMC) "Limits and methods of measurement of radio disturbance characteristics of electrical lighting and similar equipment". This product is designed to conform to AS/NZS60598 "Luminaires, general requirements and tests".



3. STORAGE: Prior to installation products are to be stored in cool and dry conditions.

4. APPLICATION: The installation application and orientation of the product is designed in accordance with the nominated product IP rating, class designation and these installation instructions. Installation environments and operating conditions beyond these instructions are not recommended.

5. INSTALLATION / GENERAL: Installation of the product is to be completed by an authorized and licensed electrician, in accordance with these instructions, relevant Australia standards and local regulations (where applicable). Termination of product wiring, together with the installation of the product must be in a manner and orientation that maintains the integrity of the designated IP rating of the product For electronic control equipment (when supplied) DO NOT MEGGER between A and N.

6. INSTALLATION / SPECIAL CONDITIONS (relevant only for products approved for such an installation):

(a) products installed in high wind environments must have suitable installation / fastening methods applied to ensure the product's mounting points are not damaged through, corrosion, constant vibration and or movement. Exterior products are designed with precise vertical aiming limits, which should not be exceeded. Any vertical floodlight aiming requirements should be specifically validated in writing with the relevant brand before consideration.

(b) products installed in corrosive or salt laden environments require special consideration and such; specific product selection, inclusive of suitable fastening methods and extensive ongoing maintenance of products installed in these environments require professional advice. It is essential that all aspects of the product selection, material specification and maintenance are specifically designed for such use and a cleaning program be adopted that maintains the design integrity of the product.

(c) interior highbay products must be vertically suspended. The method of suspension (chain etc) must be able to support at least 5 times the total weight of the fitting. Do not install where air movement will cause the fitting to swing about, causing wear and tear of attachment points. Luminaires should be installed where access for maintenance is practical and allows for maintenance to be completed in accordance with the manufacturer's recommendations.

(d) interior (downlight) products must be installed to ensure the lamp unit or the driver (if supplied) are not covered with any combustible materials or insulation; minimum spacings nominated for these materials are mandatory. Unless otherwise specified, minimum clearances are in accordance with AS3000 requirements. The product is not designed for installation environments which restrict conventional airflow movements eg: enclosed boxes or concrete profiles. For dimming purposes please see the relevant product brand web site for the dimming compatibility chart. When mounting multiple fixtures to conductive structures, it is recommended that the structure is earthed. The mounting facilities provided for the transformer/driver (if any), need only be utilized if in the application of the product is required by AS3000. IP ratings stated (if any) are from below the ceiling unless stated otherwise and the installation of the product must be in a manner that maintains the integrity of the relevant IP rating.

7. MAINTENANCE:

(a) The supply must be isolated before opening or accessing the luminaire. Product maintenance is IMPORTANT and is critical to the products designed performance. The product is to be maintained in accordance with the manufacturer's instructions. For the latest product maintenance guides please go to relevant brand web site. Gerard Lighting is not responsible for any product not maintained in accordance with the recommended procedure or intervals. **(b) lamps (where provided):** The product is designed with the supplied (LEDs) / LAMP/s and it is strongly recommended that any LAMP / (LEDs) changes (if any) be made in accordance with the type, colour and brand supplied. For recommended LAMP / LED maintenance or operating guides (inclusive of recommended product switch cycles and mandatory run-in procedures for HID and Fluorescent lamps when used with dimming circuits), Gerard Lighting recommends the application of the lamp manufacturer's operating guidelines, which can be found on manufacturer's website. Gerard Lighting is not responsible for the product performance of alternative lamp/s used. As a member of FluroCycle, we encourage recycling of lamps and components. **(c) battery (where provided):** The battery is designed with a rated average battery design life of 50,000 hours in standby mode. The battery is supported with a standard 4 year warranty; conditional of the product being maintained and operated in accordance with the manufacturer's guidelines and tested in accordance with AS/NZS2293. For guidelines see product installation instructions or visit the relevant brand web site. **(d) for products supplied with glass visors or covers,** do not operate the product with a damaged visor or cover; it is recommended the product be turned off, area surrounding the product vacated and the damaged glass replaced by a professional installer immediately.

8. WARRANTY INSTRUCTIONS: For the purpose of warranty claims (if any) the following instructions apply:

Warranty components – THE PRODUCT, (identified as the THE PRODUCT only). **Warranty period** - The above products are provided with a warranty of Seven(7) year/s or 25,000 hours of operation (which ever arrives first) against manufacturing defects or failure to perform to specifications for products installed by an authorised installer in accordance with the manufacturer's installation instructions and which have not been subject to incorrect operation or maintenance, unauthorised modification or damage arising from any intervening cause. **Warranty reference** - The warranty reference date commences from the date of purchase. **Warranty point of contact** – Gerard Lighting Pty Ltd, 96 Gow Street Padstow NSW 2211, phone T 02 9794 9300 contact – Gerard Lighting After Sales Support.

Warranty claim procedure – For the purpose of making a claim the customer must:

1. Contact the "point of contact" above and upon provision of proof of purchase the customer will receive a goods return advice (GRA) number. 2. At the customer's expense, collect and return the goods to the "point of contact" with the issued GRA number. 3. Upon receipt of the goods, Gerard Lighting will review the claim and if found to be accepted, Gerard Lighting will return a replacement product to the customer to install at the customer's expense. Alternatively if the claim is rejected, the customer may request the return of the goods at their expense. **Consumer Contracts** - The benefits to the customer given by the Gerard Lighting warranty are in addition to other rights and remedies of the customer if the goods are the subject of a Consumer Contract under the Australian Consumer Law. In that event the following statement is required to be brought to the Consumer's attention: - *Our goods come with guarantees that cannot be excluded under the Australian Consumer Law. You are entitled to a replacement or refund for a major failure and for compensation for any other reasonably foreseeable loss or damage. You are also entitled to have the goods repaired or replaced if the goods fail to be of acceptable quality and the failure does not amount to a major failure.* **Limitation of Liability** – if the goods are not purchased by the customer under a Consumer Contract within the Australian Consumer Law then but not otherwise; - (a) the Company is not liable in tort for any loss or damage suffered by the customer or by any third party; and (b) in no circumstances is Gerard Lighting liable to the customer or to any third party for any loss of profits, loss of anticipated savings, economic loss or interruption of business or for any indirect or consequential loss (Consequential Loss). **Terms of Sale** – these Warranty provisions are in substitution for any inconsistent provisions in the Gerard Lighting Terms and Conditions of Sale in so far as they apply to the Warranty components.

Product Specification & DIP Switch Settings
 (1200mm/600mm/DALI/NON-DALI/Sensor in 4000k)

Luminaire Option	Product Code	Description	Wattage	Drive Current (mA)	Lumens Output	DIP Switch-Driver Settings	Line Current (A)
1 Product with 3 options	BWP584E4	BWP LED PRO 2 BATTEN 1200MM 58W/35W/25W 4000K IP65	58W	1400mA	7199lm		0.25A
	BWP354E4		35W	900mA	4768lm		0.16A
	BWP254E4		25W	650mA	3521lm		0.12A
1 Product with 3 options	BWP584D4	BWP LED PRO2 BATTEN 1200MM DALI 58W/35W/25W 4000K IP65	58W	1400mA	7169lm		0.25A
	BWP354D4		35W	900mA	4508lm		0.16A
	BWP254D4		25W	650mA	3278lm		0.12A
1 Product with 3 options	BWP584D4M	BWP LED PRO2 BATTEN 1200MM DALI DIM SENSOR 58/35/25W 4K IP65	58W	1400mA	7172lm		0.25A
	BWP354D4M		35W	900mA	4508lm		0.16A
	BWP254D4M		25W	650mA	3278lm		0.12A
1 Product with 3 options	BWP584D4/S4	BWP LED PRO2 BATTEN 1200MM DALI EMERGENC 58W/35W/25W 4K IP65	58W	1400mA	7169lm		0.25A
	BWP354D4/S4		35W	900mA	4508lm		0.16A
	BWP254D4/S4		25W	650mA	3278lm		0.12A
1 Product with 3 options	BWP352E4	BWP LED PRO2 BATTEN 600MM 35W/25W/10W 4000K IP65	35W	1400mA	4560lm		0.17
	BWP252E4		25W	900mA	3042lm		0.12
	BWP102E4		10W	350mA	1275lm		0.16
1 Product with 3 options	BWP352D4	BWP LED PRO2 BATTEN 600MM DALI 35W/35W/10W 4000K IP65	35W	1400mA	4522lm		0.17
	BWP252D4		25W	900mA	3117lm		0.12
	BWP102D4		10W	350mA	1311lm		0.16
1 Product with 3 options	BWP352D4/S4	BWP LED PRO2 BATTEN 600MM DALI EMERG 35W/25W/10W 4000K IP65	35W	1400mA	4522lm		0.17
	BWP252D4/S4		25W	900mA	3117lm		0.12
	BWP102D4/S4		10W	350mA	1311lm		0.16

Product Specification & DIP Switch Settings
 (1200mm/600mm/DALI/NON-DALI/Sensor in 6000k)

Luminaire Option	Product Code	Description	Wattage	Drive Current (mA)	Lumens Output	DIP Switch-Driver Settings	Line Current (A)
1 SKU with 3 options	BWP584E6	BWP LED PRO 2	58W	1400mA	7199lm		0.25A
	BWP354E6	BATTEN 1200MM 58W/35W/25W 6000K IP65	35W	900mA	4768lm		0.16A
	BWP254E6		25W	650mA	3521lm		0.12A
1 SKU with 3 options	BWP584D6	BWP LED PRO2	58W	1400mA	7169lm		0.25A
	BWP354D6	BATTEN 1200MM DALI 58W/35W/25W	35W	900mA	4508lm		0.16A
	BWP254D6	6000K IP65	25W	650mA	3278lm		0.12A
1 SKU with 3 options	BWP584D6M	BWP LED PRO2	58W	1400mA	7172lm		0.25A
	BWP354D6M	BATTEN 1200MM DALI DIM SENSOR 58/35/25W 6K	35W	900mA	4508lm		0.16A
	BWP254D6M	IP65	25W	650mA	3278lm		0.12A
1 SKU with 3 options	BWP584D6/S4	BWP LED PRO2	58W	1400mA	7169lm		0.25A
	BWP354D6/S4	BATTEN 1200MM DALI EMERGENC 58W/35W/25W	35W	900mA	4508lm		0.16A
	BWP254D6/S4	6K IP65	25W	650mA	3278lm		0.12A
1 SKU with 3 options	BWP352E6	BWP LED PRO2	35W	1400mA	4560lm		0.17
	BWP252E6	BATTEN 600MM 35W/35W/10W	25W	900mA	3042lm		0.12
	BWP102E6	6000K IP65	10W	350mA	1275lm		0.16
1 SKU with 3 options	BWP352D6	BWP LED PRO2	35W	1400mA	4522lm		0.17
	BWP252D6	BATTEN 600MM DALI 35W/35W/10W	25W	900mA	3117lm		0.12
	BWP102D6	6000K IP65	10W	350mA	1311lm		0.16
1 SKU with 3 options	BWP352D6/S4	BWP LED PRO2	35W	1400mA	4522lm		0.17
	BWP252D6/S4	BATTEN 600MM DALI EMERG 35W/25W/10W	25W	900mA	3117lm		0.12
	BWP102D6/S4	6000K IP65	10W	350mA	1311lm		0.16

Service & Operation
BWP LED PRO2 – Emergency Codes only

Normal Operation: Maintained Emergency Operation.

Battery: Sealed Lithium Iron Phosphate (LiFePO4) rechargeable battery pack. As per AS/NZS 2293, it is required that the battery pack is discharged and recharged at least once every 6 months.

In case of a replacement, same brand and type of battery pack must be used. Allow 24 hours charging time before carrying out any discharge tests.

Charge Duration: 16 Hours
 Discharge Duration: 2 Hours (Initial test)

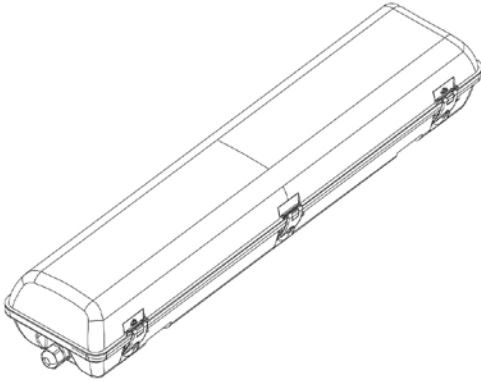
Test Switch: If manual test switch pressed, the fixture will operate from its battery supply. Please ensure battery plug is connected to the inverter battery terminal.

Inrush Current & Breaker Recommendation Table

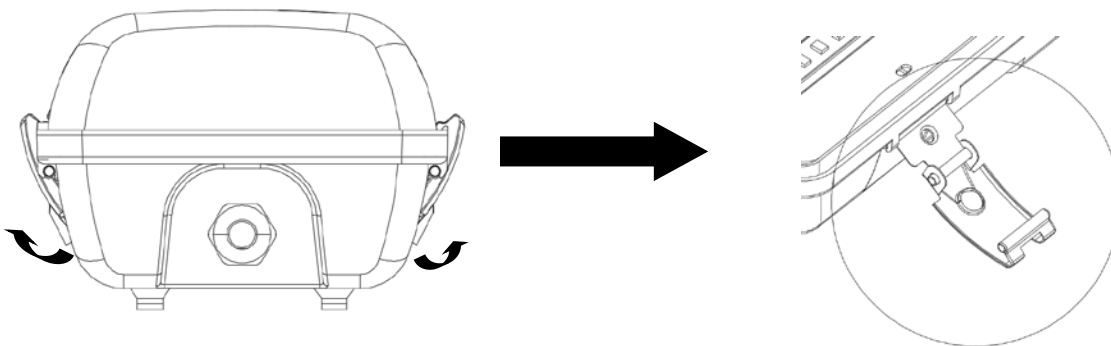
BWP LED PRO2 (All Codes)	
Specification Item	Value
Inrush Current I _{peak}	10A
Duration T50 @ 50% I _{peak}	200uS
Miniature Circuit Breaker	QTY
Drivers per MCB 10A Type B	18
Drivers per MCB 16A Type B	29
Drivers per MCB 20A Type B	37
Drivers per MCB 25A Type B	46
Drivers per MCB 10A Type C	21
Drivers per MCB 16A Type C	34
Drivers per MCB 20A Type C	43
Drivers per MCB 25A Type C	54
Drivers per MCB 10A Type D	24
Drivers per MCB 16A Type D	39
Drivers per MCB 20A Type D	49
Drivers per MCB 25A Type D	62

Installation

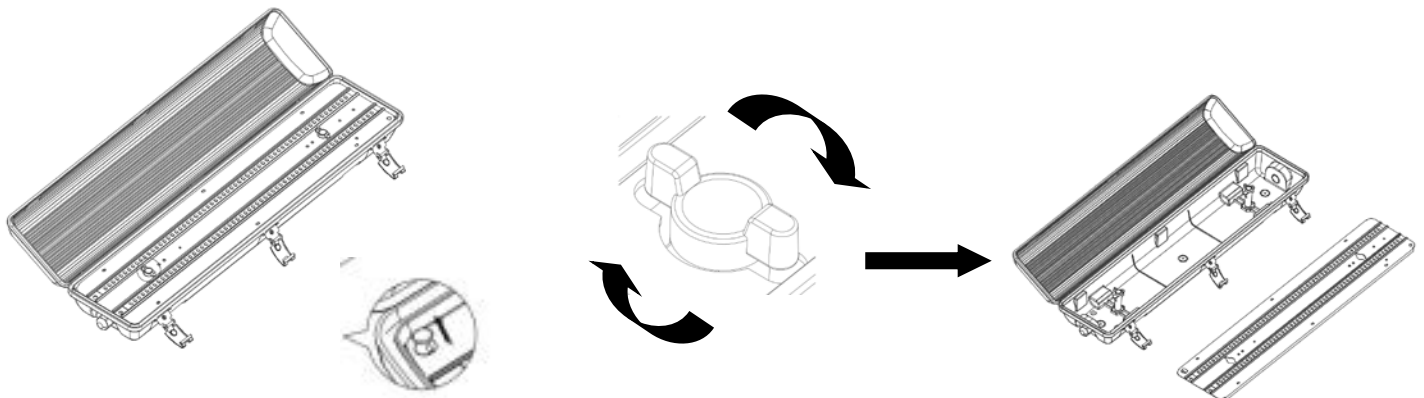
Step 1: Take the Weatherproof Batten and Accessories out from the packaging.



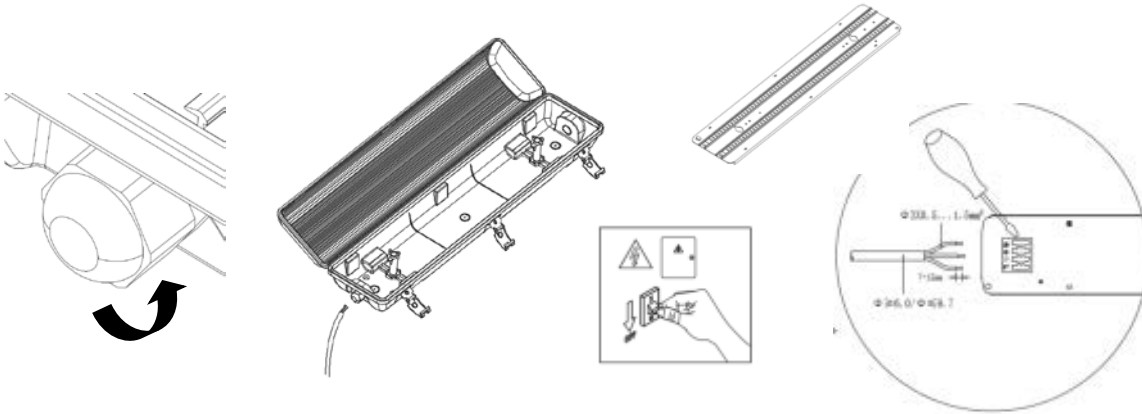
Step 2: Open the Clips



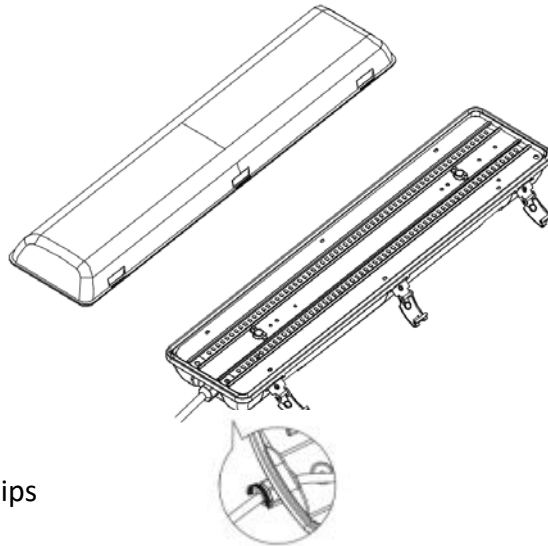
Step 3: Take the gear tray out.



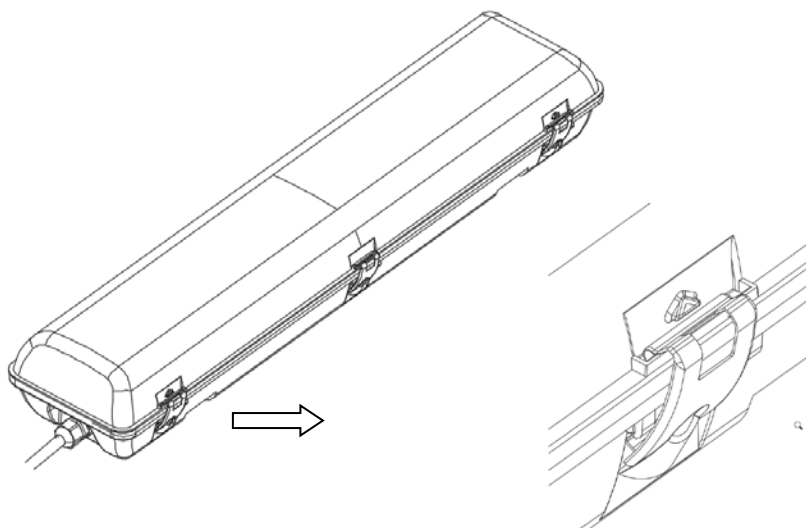
Step 4: Take the cable gland out and connect the AC cable.



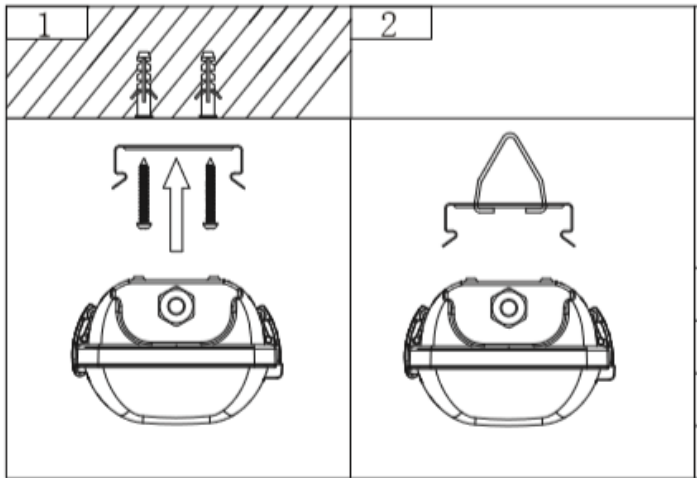
Step 5: Tighten the cable gland



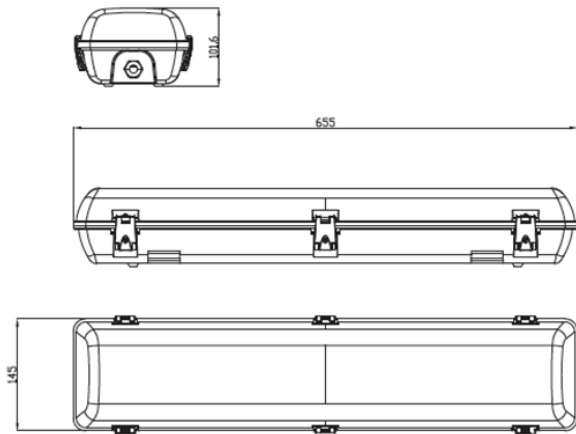
Step 6: Fasten the clips



Step 7: Install the batten on the ceiling.



Line Drawing (2ft)



Line Drawing (4ft)

