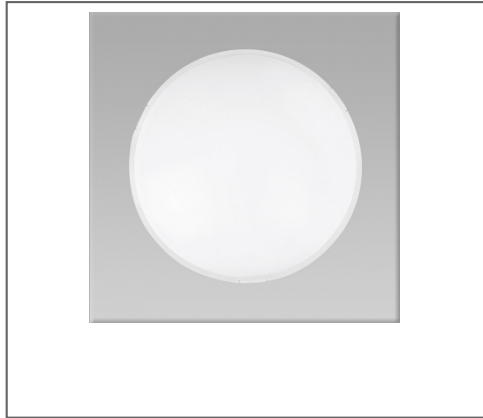


POLO LED SENSOR



Save money with this IP65 LED luminaire utilising an inbuilt sensor that will turn off automatically

Weatherproof luminaire IP65 with sensor

Durable non-metallic body assembly with sturdy white powder coated metallic integral driver tray

No movement no light, hidden sensor automatically switches light

Available in two sizes 16W and 23W

Long LED life, low maintenance in difficult to access areas with standby power consumption 0.9 watt

Circular polycarbonate UV stabilised opal lens

Robust polycarbonate opal visor IK10 rated

Three x (3) captive clips for the Polo LED 264 and four x (4) captive clips for the larger Polo LED 408 housing

POLO LED SENSOR

Product Specification

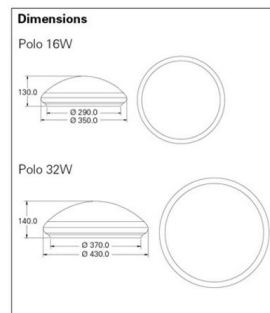
30000 Rated Average Life	IP65 IP Rating	IK10 IK Rating	240V Voltage	6500K Colour Temperature
80 Color Rendering Index	White Luminaire Colour	UV Stabilised Finish	LED (COB) Lamp Type	Asymmetric Beam Distribution

Item Code	Description	Length	Width	Height
POLOLED408-MS	POLOLED408 SENSOR OYSTER LED 408	430mm	430mm	150mm
POLOLED264-MS	POLOLED264 SENSOR OYSTER LED 264	350mm	350mm	130mm

Item Code	Mass (kg)	System Power (W)	Lamp Power (W)	Lumens per Watt
POLOLED408-MS	2KG	23W	23W	59
POLOLED264-MS	1.5KG	16W	16W	54

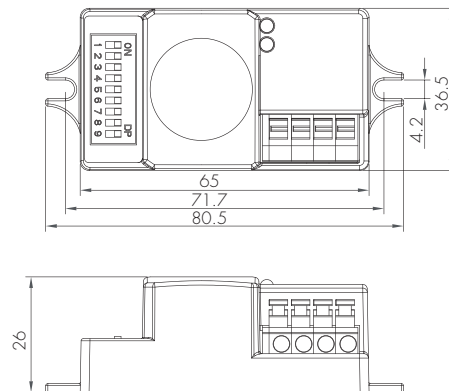
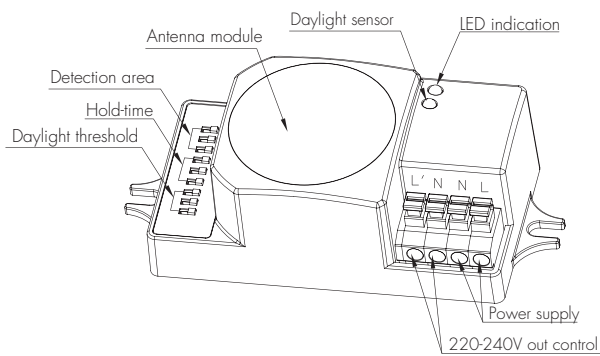
Item Code	Lumens per Watt	Lumen Output
POLOLED408-MS	59	1360Lm
POLOLED264-MS	54	870Lm

LINE DRAWINGS

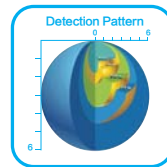
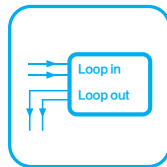


Super-compact Version On/off Control

Model: HC005S



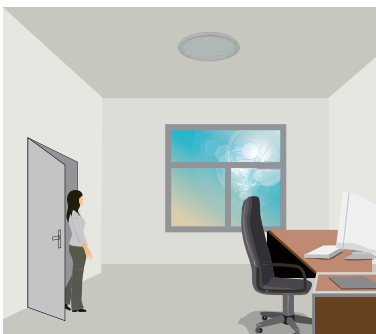
The smallest HF motion sensor on the planet, worldwide patented.



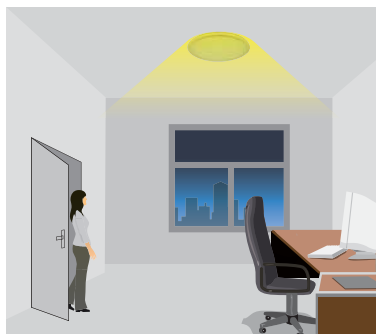
Functions and Options

1 On-off Control

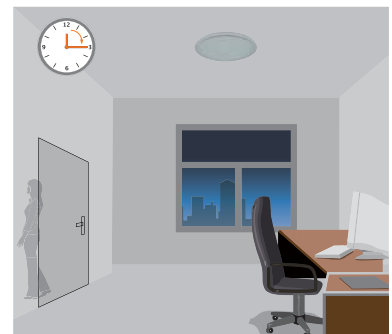
This sensor is a motion switch, which turns on the light on detection of people movement, and turns off after a pre-selected hold-time when there is no people around. A daylight sensor is also built-in to prevent the light switching on when there is sufficient natural light.



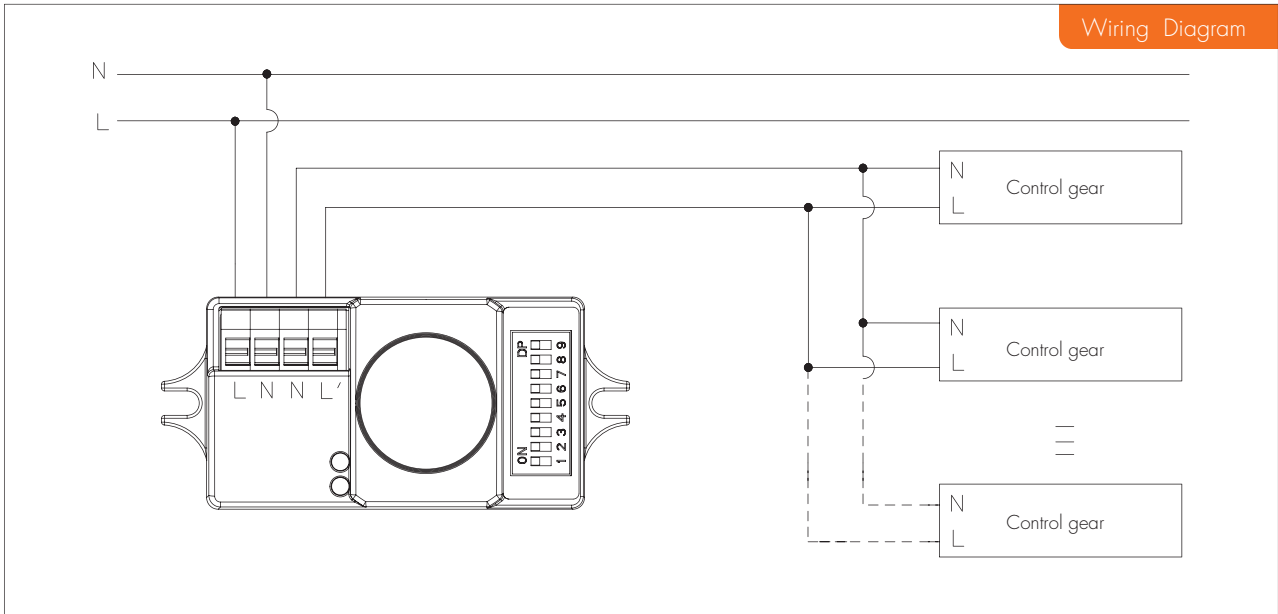
With sufficient natural light, the light does not switch on when presence detected.



With insufficient natural light, the sensor switches on the light automatically when person enters the room.

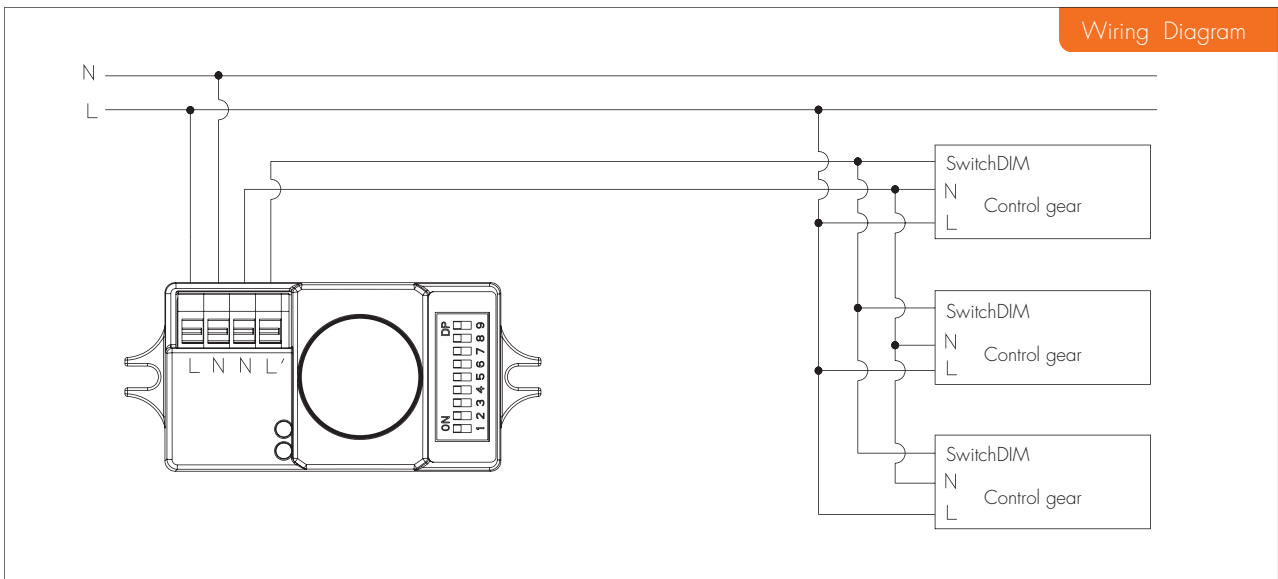


The sensor switches off the light automatically after the hold-time when there is no motion detected.



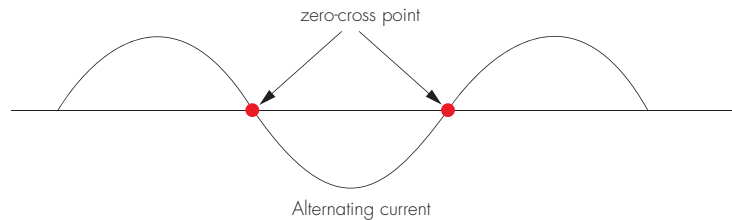
2 Tri-level dimming control

With Tridonic switchDIM ballast / driver (Excel ballast/driver, corridor function), this sensor can also achieve tri-level dimming control.



3 Zero-cross relay operation

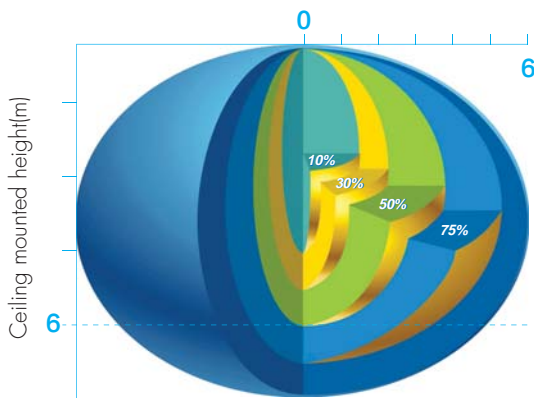
Designed in the software, sensor switches on/off the load right at the zero-cross point, to ensure the in-rush current is minimised, enabling the maximum lifetime of the relay.



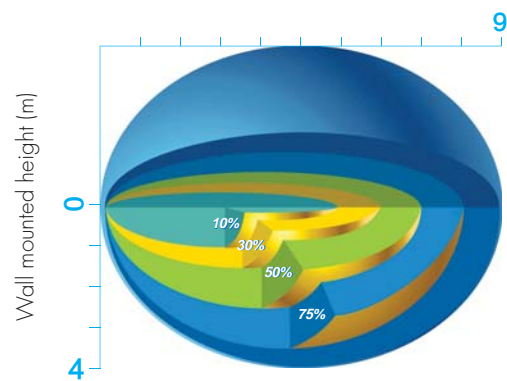
4 Loop-in and loop-out terminal

Double L N terminal makes it easy for wire loop-in and loop-out, and saves the cost of terminal block and assembly time.

Detection Pattern



Ceiling mounted detection pattern (m)



Wall mounted detection pattern (m)

Settings

1 Detection area

Detection area can be reduced by selecting the combination on the DIP switches to fit precisely for each specific application.

	1	2	3	
I	●	●	●	100%
II	○	●	●	75%
III	○	●	○	50%
IV	○	○	●	30%
V	○	○	○	10%



- I – 100%
- II – 75%
- III – 50%
- IV – 30%
- V – 10%

2 Hold-time

Hold-time means the time period you would like to keep the lamp on 100% after the person has left the detection area.

	1	2	3	
I	●	●	●	5s
II	●	○	●	30s
III	●	○	○	1min
IV	○	●	●	5min
V	○	●	○	10min
VI	○	○	●	20min
VII	○	○	○	30min



- I – 5s
- II – 30s
- III – 1min
- IV – 5min
- V – 10min
- VI – 20min
- VII – 30min

3 Daylight sensor

The daylight threshold can be set on DIP switches, to fit for particular application.

“Daylight” : The lamp works always, even during daylight.

“Twilight” : The lamp works only in twilight .

“Darkness” : The lamp works only in darkness.

	1	2	3	
I	●	●	●	Disable
II	○	●	●	50Lux
III	○	●	○	20Lux
IV	○	○	●	5Lux
V	○	○	○	2lux



- I – Disable
- II – 50 Lux
- III – 20 Lux
- IV – 5 Lux
- V – 2 Lux

Technical Data

Operating voltage	220-240VAC
Switched power	Max.400W (capacitive) Max.800W(resistive)
Stand-by power	<0.5W
Warming-up time	20s
Detection area	10/30/50/75/100%, can be customized
Hold-time	5S/30S/1min/5min/10min/20min/30min, can be customized
Daylight threshold	2~50Lux daylight/twilight/darkness, can be customized
Microwave frequency	5.8GHz+/-75MHz
Microwave power	<0.2mW
Detection range	Max. (∅xH): 12m x 6m
Detection angle	30°~150°
Mounting height	Max.6m
Operating temperature	-35°C ~ +70°C
IP rating	IP20 IP65 (mounted in Hytronik special box)
certificate	Semko, CB, EMC, CE, R&TTE,SAA