



**Stylish  
& Effective**

## PARKVILLE LED

CATEGORY V LED LUMINAIRE

The Parkville LED is the LED successor to the Sylvania conventional Parkville series. Retaining the heritage appearance of the traditional Parkville luminaire, the Parkville LED has been invigorated via the introduction of state-of-the-art LED modules so as to provide high quality lighting and substantial reductions in operating costs through reduced energy consumption and fewer maintenance requirements.

The body is cast aluminium and the decorative shade ring is spun aluminium. The Control Gear is integral to the fitting.

### PERFORMANCE SUMMARY

- 80W-200W LED
- Integral 240V control gear up to 200W. Remote gear also available
- IP65 sealed LED module, IP44 sealed gear chamber
- IK07
- CRI>70
- Replacement of HPS/MH/MV Cat. V luminaires
- Ambient temperature to 40°C
- 20 year design life
- Colour Temperature of 4000K
- Limited Warranty: 5 years (refer to G.L. Terms and Conditions)



Where innovation comes to light



## PARKVILLE LED (cont.)

### SPECIFICATIONS

#### Electrical Characteristics:

- Input Voltage: 220-240V – 50/60Hz
  - Power Factor: > 0.9
- System watts: 80W - 200W

#### Optical Characteristics:

- CCT: 4000K
- Lumen maintenance: L90 @ 100 000 hours
- CRI: > 70
- LED module IP66 rated

#### Mechanical Characteristics:

- Pressure die-cast aluminium body and spun aluminium canopy
- Max. Weight: 13.9 kg
- IP44 rated gear chamber
- Post top mounting fits 43mm OD pipe x 100mm long
- Black Polyester Powdercoat finish as standard

#### Control Characteristics:

- DALI or 1-10V control
- MOV
- NEMA – 7 pin as standard (options available)
- Integral control gear to 200W

#### Environmental & Standards:

- Ambient Operating Temps: to 40° C
- Operating Humidity Range: 10% - 95% Relative humidity
- High impact rating
- Ingress protection for weatherproofing
- EMC compliant: AS/NZS 60598.2.3 & AS1158.6 where applicable

#### SMART CITY SOLUTIONS\*

- LOWPAN6, ZIGBEE, LORAWAN, NBIOT technologies
- Devices & sensors for smart city applications
- Customised platform integration

\*Please consult your Gerard Lighting representative for the full range of viable control options for your project.

#### Options

- Polyester powdercoat finish in various Dulux and RAL colours

### PHOTOMETRICS

Please contact your Roadway & Infrastructure Lighting representative for photometric information specific to your project.

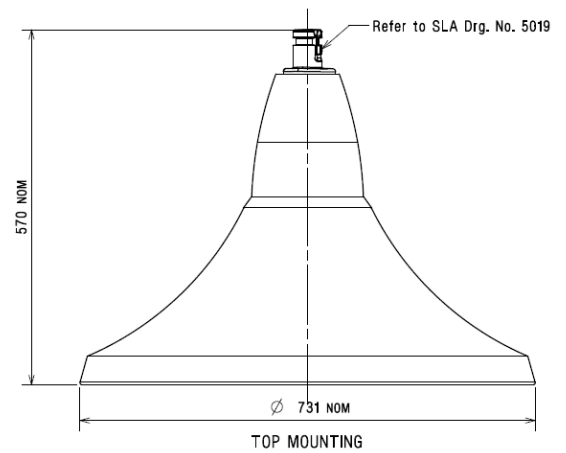
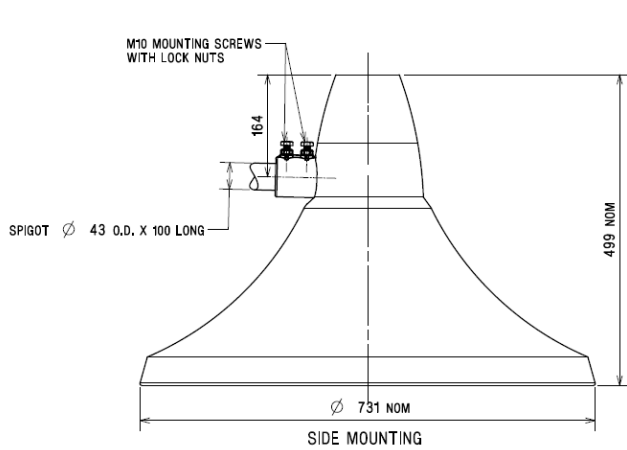


## PARKVILLE LED (cont.)

### ORDER CODES

| Product Code | Name                      | Dimensions (mm)<br>L x W x D | Mass<br>(kg) | Beam<br>Distribution | System<br>Power (W) | Light Source<br>Technology | Heat Sink<br>Material | Operating<br>Temperature | Mounting  | Windage |
|--------------|---------------------------|------------------------------|--------------|----------------------|---------------------|----------------------------|-----------------------|--------------------------|-----------|---------|
| NX9903L120   | MOD-PTFX 120W 4K FTB 0001 | 570 x 731 x 731              | 12.7         | Type 2/3             | 120                 | LED                        | Aluminium             | Ta40°C                   | Top Entry | 0.42    |
| NX9903L80    | MOD-PTFX 80W 4K FTB 0001  | 570 x 731 x 731              | 12.6         | Type 2/3             | 80                  | LED                        | Aluminium             | Ta40°C                   | Top Entry | 0.42    |

### LINE DRAWINGS



Where innovation comes to light