



## F Series Highbay

The F Series LED Highbay provides a dedicated solution for your hazardous area storage requirements. Available in 2 wattages, 5 mounting options and 6 photometric distributions. The F Series is designed to deliver flexibility.

Ex d IIB T5 Gb or T6 Gb;  
Ex tb IIIC T95° C or T80° C Db IP66  
IECEX Certificate NO.: IECEX CQM 13.0003X

### Built for use in:

- Petroleum industry
- Petrochemical industry
- Power generation industry
- Power transmission industry
- Drilling platform
- Oil tanks
- Workover platform
- Production platform
- Field tank
- Pumping station
- Transformer station
- Warehouse

ZONE 1

IP 66

5

YEAR  
WARRANTY



50,000 HOURS  
RATED AVERAGE  
DESIGN LIFE\*

ta55

## Features:

- OSRAM LED source offering high efficacy and lumen output
- Explosion proof aluminium alloy enclosure offering high anti- impact performance
- Adjustable plate allows for different mounting angles on site
- Terminal compartment has been isolated from the LED source compartment to increase site safety



# F Series Highbay

## Accessories



Bracket  
KF-CBRKT



Stanchion Bracket  
KF-SBRKT1



Stanchion Bracket 2  
KF-SBRKT2



Guard  
KF-GUARD

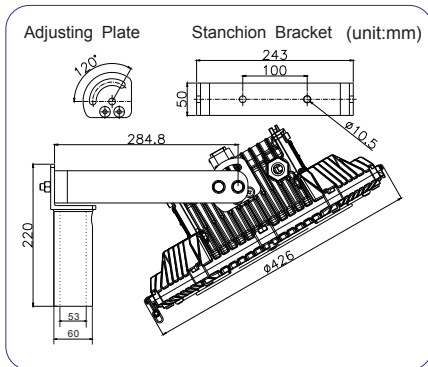


Pipe Clamp  
KF-PC

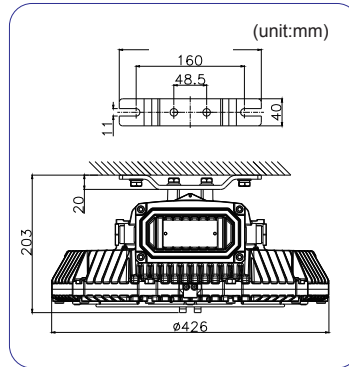


Loop  
KF-LOOP

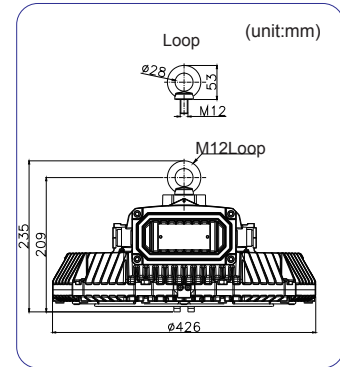
## Installation Options



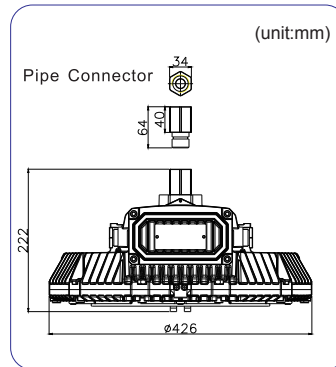
Stanchion Mount



Ceiling Mount

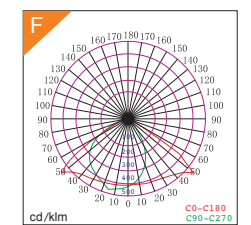
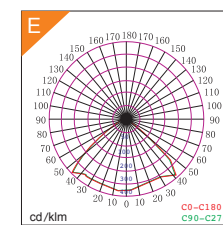
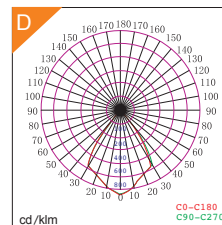
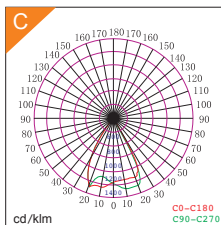
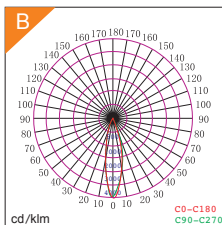
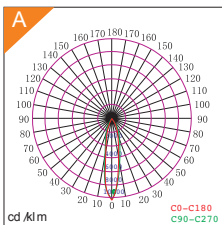


Pendant Mount



Pipe Mount

## Photometric Distribution



Extra Narrow



Narrow



Medium A



Medium B



Wide



Extra Wide

## Electrical Specification

Product Type	Rated input voltage (VAC)	Voltage frequency (Hz)	Rated power (W)	PF
Ex-KF120	180 - 277	50/60	120	>0.98
Ex-KF150	180 - 277	50/60	150	>0.98

## Photometric Performance

Product type	P/N	Colour Temp	CCT (K)	CRI	Luminous Flux (lm)
Ex-KF120	Ex-KF120WM-E	Warm white	3000	82	9821
	Ex-KF120NH-E	Natural white	4000	70	12276
	Ex-KF120CH-E	Cool white	6000	70	12276
Ex-KF150	Ex-KF150WM-E	Warm white	3000	82	11880
	Ex-KF150NH-E	Natural white	4000	70	14850
	Ex-KF150CH-E	Cool white	6000	70	14850

## Luminaire Specification

Product Type	Size (mm)	Weight (Kg)	Ambient temp (°C)	Max surface temp (test in 25°C)	IP Rating	Temp classification	Insulation
Ex-KF120	426*410*187	13.9	-40 - +55	47	IP66	T6	I
Ex-KF150	426*410*187	13.9	-40 - +55	64	IP66	T5	I