

BWP LED PRO

Energy efficient LED weatherproof luminaires available with dimming and sensor options

Specification

- 50,000hr average rated life
- Two formats 52W, 1200mm long and 32W 600mm long
- LER = 96lm/w, CCT 4000k CRI>80
- Option of integral sensor and dimming
- Light grey colour, self extinguishing polycarbonate body with UV inhibitors and durable foam seal
- Frosted prismatic polycarbonate lens resists impact (rated IK08)
- Clip-in modular gear tray with safety lanyards for easy installation and maintenance
- 20mm cable entry with PG8,5 gland and optional knockout at the opposite end
- Supplied with stainless steel mounting clips for easy installation without compromising the IP65 integrity
- Ambient temperature, -25°C to 40°C
- Robust and lockable stainless steel clips fitted to the body speed up installation time

Product Codes

Code	Version	Dim (mm)	Mass (kg)
BWPLED322E4	32W 4K	670 x 152 x 104	2.7
BWPLED322E4D	32W 4K Sensor Dim	670 x 152 x 104	2.7
BWPLED524E4	52W 4K	1300 x 152 x 104	3.9
BWPLED524E4D	52W 4K Sensor Dim	1300 x 152 x 104	3.9



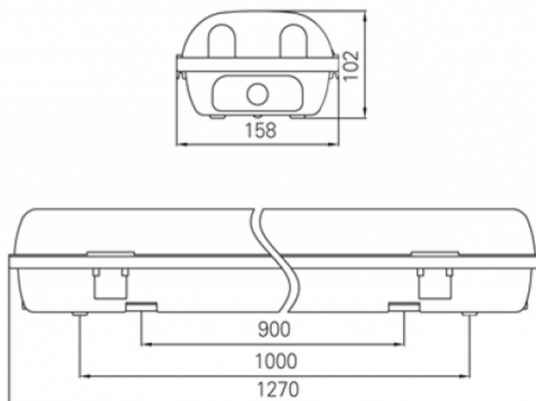
Quick Specification

Pierlite BWP LED PRO IP65 weatherproof in either 1200mm 52w 5050lm or 600mm 32w 2525lm with frosted diffuser.

Design Application

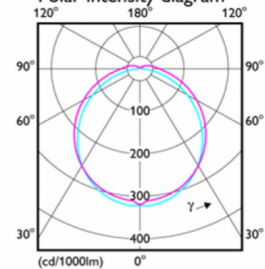
Ideal for multi-storey car parks, light commercial spaces, temporary lighting requirements and covered security applications.

Performance



BWP LED DIFFUSED 52W

Polar intensity diagram



Light output ratio 1.00
 Service upward 0.06
 Service downward 0.94

CIE flux code 45 75 92 94 100

UGRcen (4Hx8H, 0.25H) 24

IP65



Max Dim (mm)
1300 x 152 x 104



PDF Prepared: 20.01.2017 12:01pm, Last page update: Nov 2016

