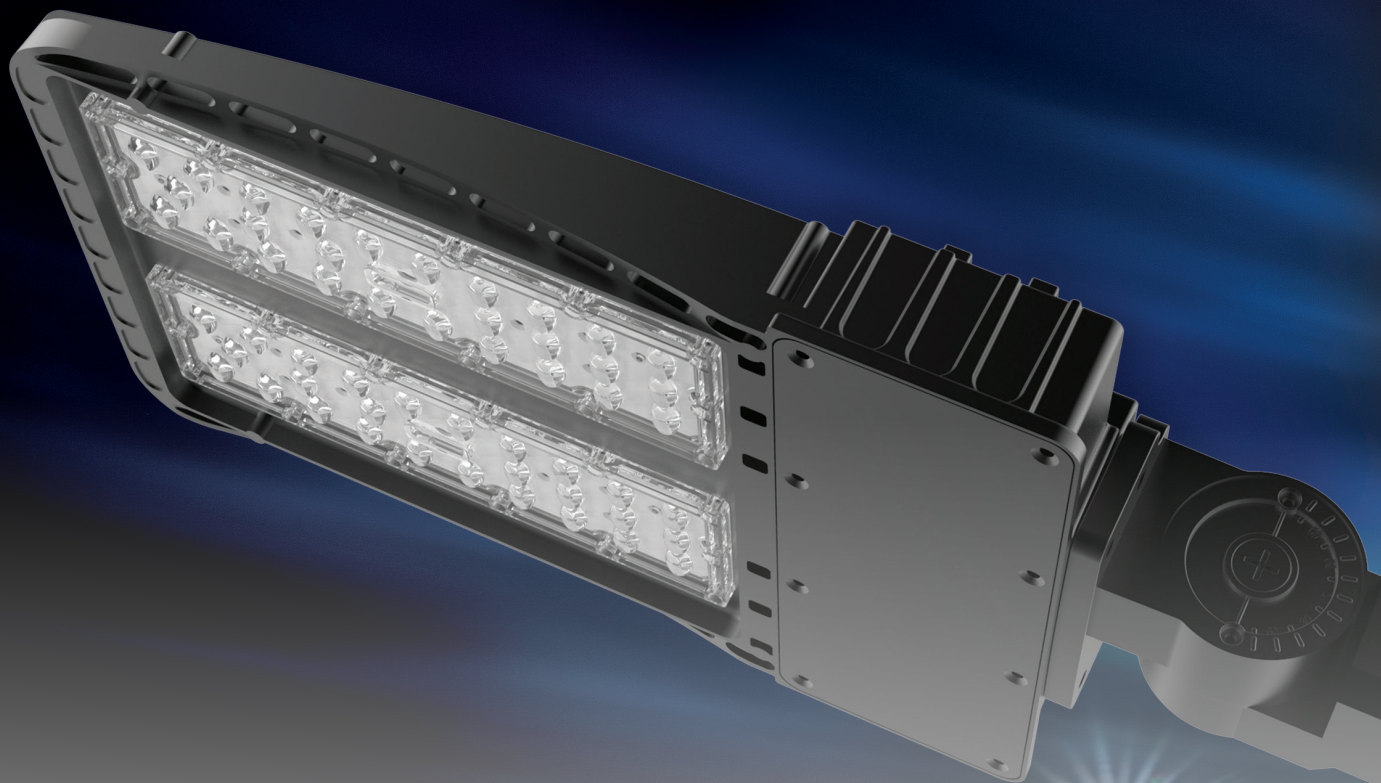


SLIMLINE MEETS FUNCTION



PIERLITE DOMAIN LED AREA LUMINAIRE

The new DOMAIN LED range of area luminaires provide a combination of functionality and elegant sleek form to provide a reliable general lighting solution for your outdoor needs.

PIERLITE DOMAIN LED AREA LUMINAIRE

The Domain LED Area Luminaire is designed to combine its slimline urban aesthetics and technical developments. This decorative and functional area luminaire delivers performance and visual comfort to complement any exterior space. This stylish LED Post Top is available in a range of wattage options and optics. The slimline design integrates into any exterior architectural environment.

FEATURES

- Available in 3 sizes: single, double and triple module
- Integrated LED driver rated at IP67
- UV stabilised polycarbonate lens system
- Latest LED chip technology for superior efficacy and colour control
- More choice, two optic versions available
- Adjustable spigot allowing vertical and horizontal mount up to 15° above horizontal
- Spigot size 60mm OD, 80mm depth
- Wall mount accessory available on request
- NEMA option available on request
- Luminous flux up to 35,000lm
- CRI >80 provides good visual performance
- Supplied with 1m 3 core flying lead for easy installation
- Luminaire IP65 classification
- Rated average design life 50,000 hours* @ L70 B50
- 5 years warranty†

BENEFITS

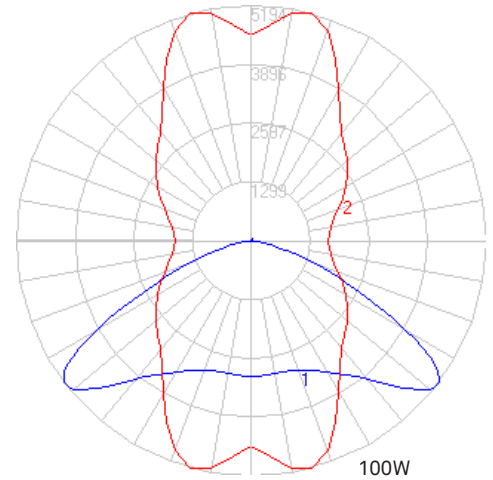
- Long life of 50,000 hours provides low maintenance costs
- Light weight construction makes for easier installation
- Choice of wattages and optics allowing for a complete project solution
- More precision with adjustable spigot

SPECIFICATIONS

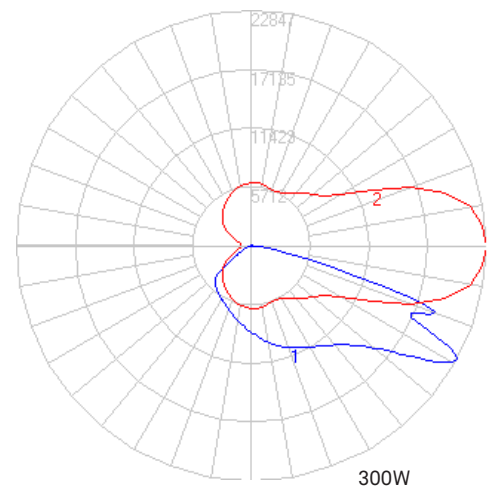
- Compliant to AS/NZS60598
- Wattages: available in 100W, 200W & 300W
- Efficacy: >110 lm/W
- Colour Temperature: 4000K
- Colour rendering index: CRI 80
- Ingress Protection: Luminaire IP65, LED driver IP67
- Maximum Temperature: Ta40
- Life: 50,000 hours* @ L70 B50
- Beam Distribution: Type 2 and Type 4
- Weight: 4.5kg (100W), 6.2kg (200W), 11.5Kg (300W)
- Mount: Spigot 60mm OD
- Materials: Polycarbonate (lens). Diecast aluminium body with black powder coat (RAL9110)
- Non-dimmable

APPLICATIONS

Car Parks, Lane ways, Pathways, Parks and Gardens



TYPICAL TYPE 2
BEAM DISTRIBUTION



TYPICAL TYPE 4
BEAM DISTRIBUTION

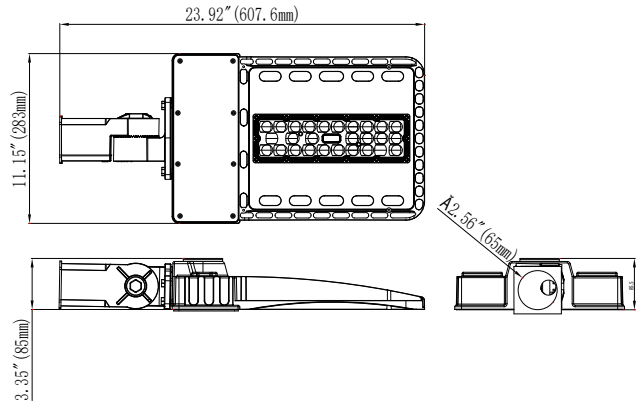
Product Code	Description	Wattage	Lumens	Colour	Dimensions (mm)	Mass (Kg)
PD1AT2EB	Domain LED Type 2 Distribution	100W	12300lm	4000K	L601 x W282 x H85	4.5
PD1AT4EB	Domain LED Type 4 Distribution	100W	15800lm	4000K	L601 x W282 x H85	4.5
PD1BT2EB	Domain LED Type 2 Distribution	200W	24200lm	4000K	L601 x W282 x H85	6.2
PD1BT4EB	Domain LED Type 4 Distribution	200W	25100lm	4000K	L601 x W282 x H85	6.2
PD1CT2EB	Domain LED Type 2 Distribution	300W	32300lm	4000K	L641 x W402 x H85	11.5
PD1CT4EB	Domain LED Type 4 Distribution	300W	35400lm	4000K	L641 x W402 x H85	11.5

Product Code	Description	Dimensions (mm)	Mass (Kg)
PDWB	Mounting Bracket	H203 x W98 x D100	1.183

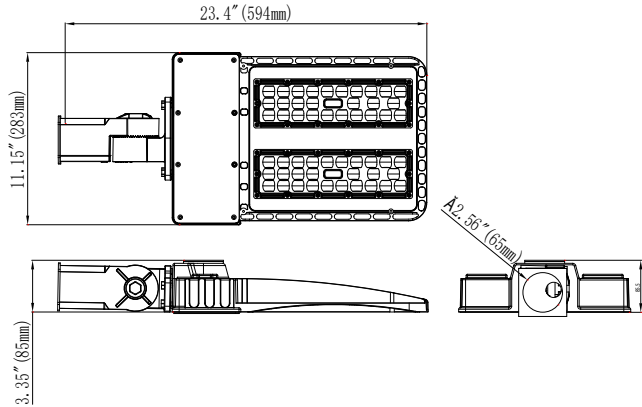
PIERLITE DOMAIN LED AREA LUMINAIRE



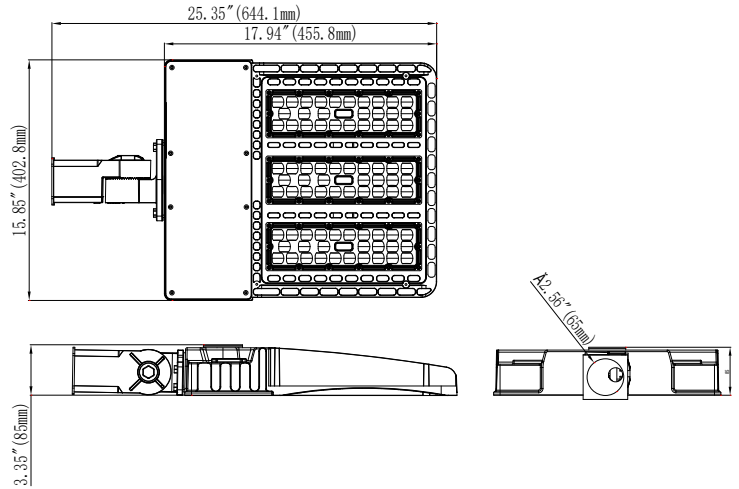
DOMAIN LED 100W



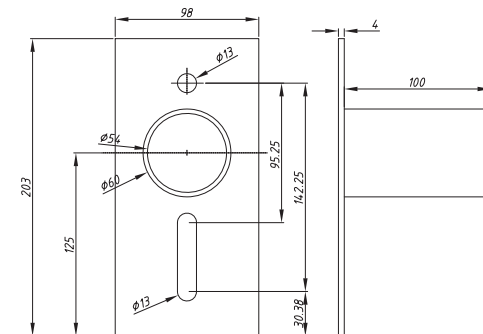
DOMAIN LED 200W



DOMAIN LED 300W



MOUNTING BRACKET



*Rated average design life is based on application of PIERLITE's product operating and maintenance guidelines; see www.gerardlighting.com.au. Actual product life may vary dependent upon frequency of maintenance and product application. *Gerard Lighting terms and conditions apply.