

INSTALLATION / WARRANTY INSTRUCTIONS

Issue date: February 2015

MINE MASTER HID Range

PLEASE READ THESE INSTALLATION INSTRUCTIONS CAREFULLY BEFORE INSTALLING OR MAINTAINING THIS EQUIPMENT. THE PRODUCT IS DESIGNED FOR INSTALLATION AND MAINTENANCE IN ACCORDANCE WITH RELEVANT AUSTRALIAN STANDARDS (AS/NZ3000), THESE INSTRUCTIONS AND LOCAL REGULATIONS (WHERE APPLICABLE), BY AN AUTHORISED AND LICENCED ELECTRICIAN.

THE INSTALLATION INSTRUCTIONS WERE CORRECT AT THE TIME OF PRINT. TO REFLECT CHANGES IN TECHNOLOGY AND AUSTRALIAN STANDARDS; PIERLITE AUSTRALIA RESERVES THE RIGHT TO AMEND THE INSTRUCTIONS WITHOUT NOTICE. UPDATED GUIDELINES CAN BE FOUND ON www.pierlite.com

IMPORTANT - THE PRODUCT MUST BE MAINTAINED AND OPERATED IN ACCORDANCE WITH THE MANUFACTURER'S INSTRUCTIONS, FAILURE TO DO SO MAY DAMAGE THE PRODUCT AND SERVICES. IT IS STRONGLY RECOMMENDED THAT THIS IMPORTANT NOTE BE COMMUNICATED TO THE OWNER AND OR OPERATOR OF THE INSTALLATION AT THE TIME OF SITE COMMISSIONING. FOR THE LATEST PRODUCT MAINTENANCE GUIDES PLEASE GO TO www.pierlite.com. PIERLITE AUSTRALIA IS NOT RESPONSIBLE FOR ANY PRODUCT NOT MAINTAINED IN ACCORDANCE WITH THE RECOMMENDED PROCEDURES. FOR RECOMMENDED (LED) LAMP MAINTENANCE GUIDES, PLEASE REFER TO THE (LED) LAMP INSTALLATION GUIDELINES SUPPLIED WITH THE LAMP PRODUCT OR THE NOMINATED LAMP MANUFACTURER'S WEBSITE.



1. PRODUCT SPECIFICATION:

Type of Protection - Class I Luminaire
IP Rating - IP66
Nominal Voltage - 240V
Nominal Freq. (Hz) - 50 Hz

Code	MRA50S MRS50S	MRA70S MRS70S	MRA70H MRS70H	MRA100H MRS100H	MRA18F-M MRS18F-M
Circuit wattage	59W	82.1W	82.1W	112.8W	24W
Line current	0.27A	0.40A	0.40A	0.55W	0.11A
Power factor	0.9	0.9	0.9	0.9	0.95
Rated Max. Ambient Temperature	50°C	45°C	45°C	45°C	45°C

Suitable for direct mounting on flammable surfaces - No

2. APPROVALS:



The C-Tick marking of this product applies to AS/NZS CISPR15:2006 "Limits and methods of measurement of radio disturbance characteristics of electrical lighting and similar equipment". This product is designed to conform to AS/NZS60598 "Luminaires, general requirements and tests".

3. STORAGE: Prior to installation products are to be stored in cool and dry conditions.

4. APPLICATION:

The installation application and orientation of the product is designed in accordance with the nominated product IP rating, class designation and these installation instructions. Installation environments outside these conditions are not recommended. The product is designed to be installed in universal orientation.

5. INSTALLATION:

Installation of the product is to be completed by an authorized and licenced electrician, in accordance with these instructions, relevant Australia standards and local regulations (where applicable). **For electronic control equipment (when supplied) DO NOT MEGGER between A and N.** All cable terminations must be installed in accordance with the designated IP rating of the product.

Exterior products (where relevant), installed in high wind environments must have suitable installation / fastening methods applied to ensure the product's mounting points are not damaged through, corrosion, constant vibration and or movement. Exterior products are designed with precise vertical aiming limits, which should not be exceeded

6. LAMPS:

The product is designed with the supplied (LEDs) / lamp/s and it is strongly recommended that any lamp / (LEDs) changes (if any) be made in accordance with the type, colour and brand supplied. Pierlite Australia is not responsible for the product performance of alternative lamp/s used.

7. MAINTENANCE:

The supply must be isolated before opening or accessing the luminaire. Product maintenance is IMPORTANT and is critical to the products designed performance. The product is to be maintained in accordance with the manufacturer's instructions. For the latest product maintenance guides please go to www.pierlite.com. Pierlite Australia is not responsible for any product not maintained in accordance with the recommended procedure or intervals. For recommended LAMP / LED maintenance guides, please refer to the lamp installation guidelines supplied with the lamp product or the nominated lamp manufacturer's website. For products supplied with glass visors or covers, do not operate the product with a damaged visor or cover; it is recommended the product be turned off, area surrounding the product vacated and the damaged glass replaced by a professional installer immediately.

8. BATTERY (where provided):

The battery enclosed (where provided) is designed with a rated average battery design life of 25,000 hrs in standby mode. The battery is supported with a standard 12 month warranty; conditional of the product being maintained and operated in accordance with the manufacturer's guidelines and tested in accordance with AS/NZS2293. For guidelines see product installation instructions or visit www.pierlite.com.

9. WARRANTY:

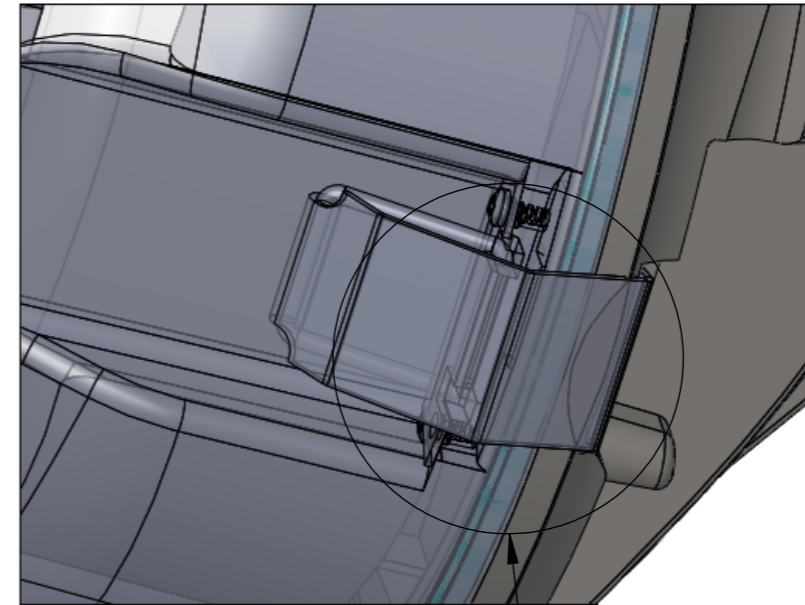
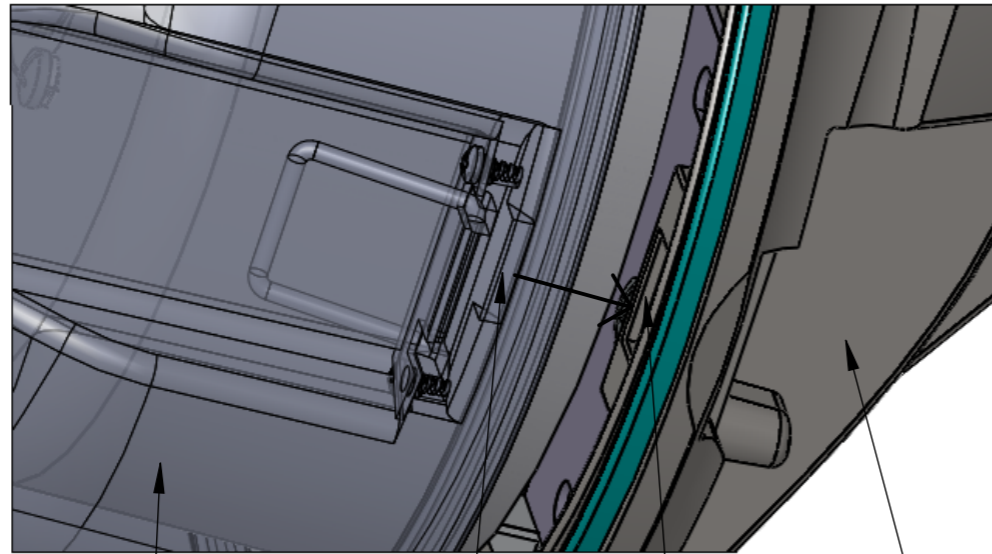
Product warranty is in accordance with Pierlite Australia's standard terms and conditions of sales, unless specifically stated otherwise in this document. For the latest terms and conditions of sale please see www.pierlite.com.

10. VISOR

The Minemaster visor must be correctly fitted after wiring and / or lamp replacement.

Ensure that the visor locating pins are correctly located into the locating pin recess on the body and that the visor gasket is properly aligned around the minemaster body to prevent dust and water ingress into the gear compartment.

For further details refer to Drawing C10755.



MINE MASTER DIFFUSER

MINE MASTER BODY

LOCATING PIN ON DIFFUSER

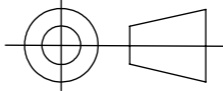
LOCATING PIN RECESS ON BODY

MAKE SURE LOCATION PIN SIT RIGHT ON THE RECESS OF BODY. ENSURE DIFFUSER FLUSH TO BODY TO PREVENT DUST AND WATER ENTRY TO GEAR COMPARTMENT.

DESTROY ALL PREVIOUS ISSUES

STATUS
INFORMATION

BY DATE 26/02/2015

REV.	DESCRIPTION	DRN,	DATE
1	ORIGINAL ISSUE	CHC	26/02/2015
DIMENSION TOLERANCE. 0. = + - 0.5mm 0.0 = + - 0.25mm 0.00 = + - 0.1mm ∠ = + - 1°		 All dimensions in millimetres. Do not scale.	
CUSTOMER. PIERLITE		PRODUCT. MINE MASTER DIFFUSER & BODY FITMENT LAYOUT	
DRAWN: CHUN HO CHIU		DATE: 26/02/2015	
CHECKED:		DATE: 26/02/2015	
PART No.		DRG. No. C10755	
PROJECT. PR 0		SCALE: A3	