

JAX FLAT

Range Of Adjustable LED Downlights

JAX Flat range combines a unique blend of form and function by providing lighting designers with extremely versatile luminaires and the ultimate in efficient performance. The smooth and easy tilt with rotational control coupled with a sleek rebated bezel work in harmony to reduce glare.

JAX FLAT

Range Of Adjustable LED Downlights



Features

- Constructed with a diecast bezel and drop forged heatsink
- Reflectors are anodised aluminium
- Interchangeable optics 20°/40°, standard 40°
- Cree CXB 95+
- Available in 3000K & 4000K colour temperature
- Quick and Easy – installation
- Dimmable – refer driver platform for options

- 50,000 Hours (L70)
- One of a family of 2 trim sizes (Single, Twin) mount 25-40 wattage options depending on driver.

Applications

- Designed for retail, food preparation, facades

Specifications

	Single	Twin
Colour temp	3000K and 4000K	3000K and 4000K
Lumen output	See Chart	See Chart
CRI	>90	>90
Macadams step	3 SDCM	3 SDCM
Beam distribution	Symmetric	Symmetric
Default beam angle	40°	40°
Lumen maintenance	L70 50,000hrs	L70 50,000hrs
Control	Remote	Remote
Dimensions	Ø186 x 176	Ø376 x H:182
Cutout	Ø175mm	R87.5 x 190mm
Min recessed depth	215mm	215mm
Power factor	0.9	0.9
Electrical rating	Class III	Class III

Option

Product Code	Description
JF186RN20	JAX Flat 20° Reflector

JAX FLAT

Range Of Adjustable LED Downlights

Technical Requirements

25/30W	Required Component			
	Driver		25W	30W
	DAD32F01	Non-Dim	550mA	700mA*
	DAD32D01	DALI		
	DAD32V07001	1-10V		
* = Factory Default				

Body selection	Description	Wattage	Lumens Initial	Lumens Exit	mA setting
JF1863101	JAX Flat 40W 3K 40D WHITE	25			550
		30	2234	1878	700
JF1864101	JAX Flat 40W 4K 40D WHITE	25			550
		30	2535	2020	700
JF1863102	JAX Flat 40W 3K 40D BLACK	25			550
		30	2334	1878	700
JF1864102	JAX Flat 40W 4K 40D BLACK	25			550
		30	2535	2020	700
JFT3763101*	JAX Flat Twin 40W 3K 40D WHITE	2 x 25			550
		2 x 30	4668	3756	700
JFT3764101*	JAX Flat Twin 40W 4K 40D WHITE	2 x 25			550
		2 x 30	5070	4040	700
JFT3763102*	JAX Flat Twin 40W 3K 40D BLACK	2 x 25			550
		2 x 30	4668	3756	700
JFT3764102*	JAX Flat Twin 40W 4K 40D BLACK	2 x 25			550
		2 x 30	5070	4040	700

35/40W	Required Component			
	Driver		35W	40W
	DAT65F14001	Non-Dim	900mA	1050mA*
	DAT55D14001	DALI		
	DAM60V14001	1-10V		
* = Factory Default				

Body selection	Description	Wattage	Lumens Initial	Lumens Exit	mA setting
JF1863101	JAX Flat 40W 3K 40D WHITE	35			900
		40	3937	3374	1050
JF1864101	JAX Flat 40W 4K 40D WHITE	35			900
		40	4214	3611	1050
JF1863102	JAX Flat 40W 3K 40D BLACK	35			900
		40	3937	3374	1050
JF1864102	JAX Flat 40W 4K 40D BLACK	35			900
		40	4214	3611	1050
JFT3763101*	JAX Flat Twin 40W 3K 40D WHITE	2 x 35			900
		2 x 40	7874	6748	1050
JFT3764101*	JAX Flat Twin 40W 4K 40D WHITE	2 x 35			900
		2 x 40	8428	7222	1050
JFT3763102*	JAX Flat Twin 40W 3K 40D BLACK	2 x 35			900
		2 x 40	7874	6748	1050
JFT3764102*	JAX Flat Twin 40W 4K 40D BLACK	2 x 35			900
		2 x 40	8428	7222	1050

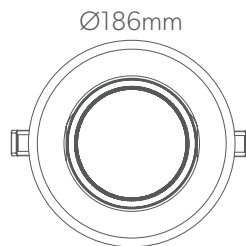
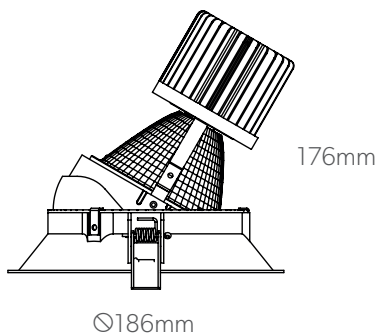
*Requires 2 drivers per fitting

JAX FLAT

Range Of Adjustable LED Downlights

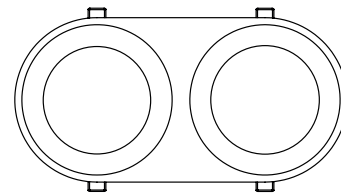
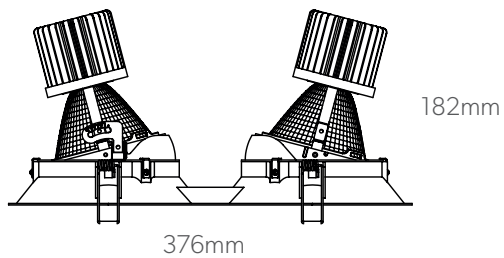
Technical Requirements

JAX FLAT MAJOR



Cut out Ø175mm 

JAX FLAT TWIN MAJOR



Cut out R87.5 190 

