

# SYLVANIA

## ROADSTER SERIES

### FUNCTIONAL (CATEGORY V)

#### FEATURES

- 100, 150, 250 & 400W HID lamps
- Integral 250V HPF control gear tray
- Complies to AS1158-1 Category V and AS1158.6

#### KEY APPLICATIONS

- Roadway (V)
- Amenity
- Security



The Roadster series is high performance utilitarian luminaire specifically designed for the Australian/New Zealand major road lighting requirements. The standard semi cut off optical system with 100,150, 250 or 400 watt clear sodium lamps is optimised to provide the maximum spacing complying with AS1158-1 Category V. Combined with an IP66 lamp chamber and self cleaning visor minimises light loss, due to dirt accumulation, reducing the maintenance factor resulting in a highly energy efficient luminaire.

Metal Halide 100/150/250 watt clear and coated lamps combined with standard IR control gear.

An aeroscreen flat glass visor is available as optional for areas requiring additional control of upward light.

The Roadster series body is a single piece pressure die-cast aluminium providing for side entry mounting. Control gear is integral, which is serviced via the rear cover assembly and complies with AS1158.6 major road requirements.

#### LUMINAIRE CONSTRUCTION

- Pressure die-cast one piece aluminium body
- IP66 optical chamber with semi cut off acrylic visor
- IP24 control chamber with High density polyethylene cover with captive quick release clips
- Side entry mounting 43 to 48mm O.D. pipe
- Stainless steel toggle latches and fasteners
- Natural finish

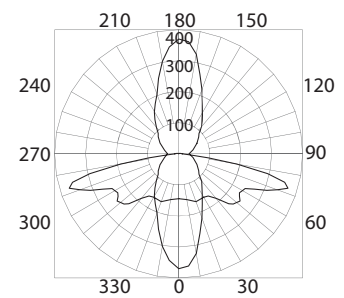
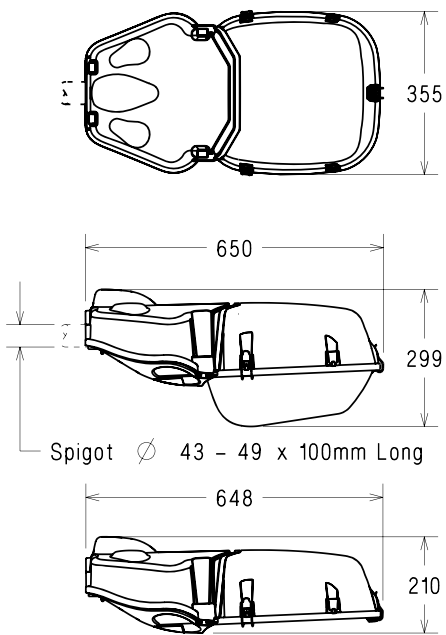
#### OPTIONS AVAILABLE

- 240V control gear
- Environ control gear (Integral 150W & 250W, HPS & MH, 400 HPS only)
- Aeroscreen flat glass visor
- NEMA Photoelectric control switch
- 60mm (50NB) mounting kit
- Polyester powdercoat finish



Description	Lamp	Base	Weight (kg)	Order Code
Roadster 100W HPS	SHPT100	E39/E40	10.00	PR47100L
Roadster 150W HPS	SHPT150	E39/E40	10.00	PR42103L
Roadster 250W HPS	SHPT250	E39/E40	10.50	PR43100L
Roadster 400W HPS	SHPT400	E39/E40	12.00	PR44100L
Roadster 150W MH	MP150/CO/U	E27	10.00	PR26100L
Roadster 250W MH	HSITHX250	E39/E40	10.50	PR21100L

Note: The above codes are for standard products only. Please refer to your local representative for more options.



Roadster 250W HPS  
 --- Vertical Plane Through Horizontal Angles (10-190)  
 — Horizontal Cone Through Vertical Angle (62.5)  
 cd/klm