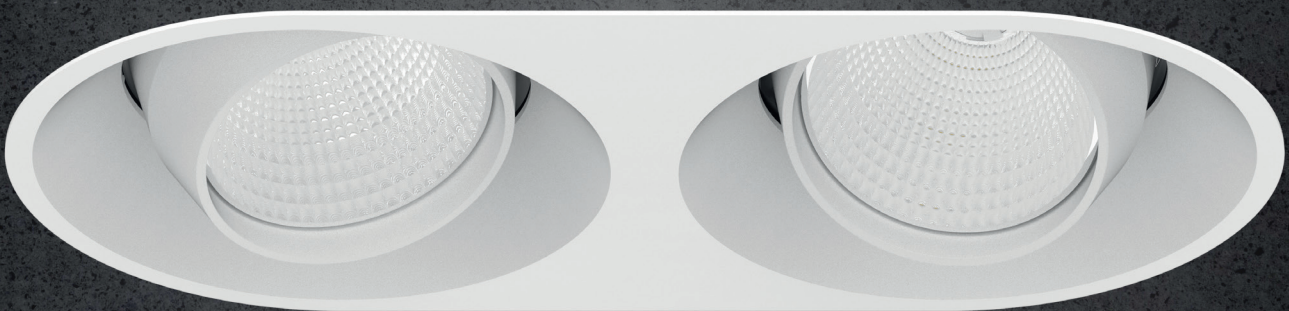
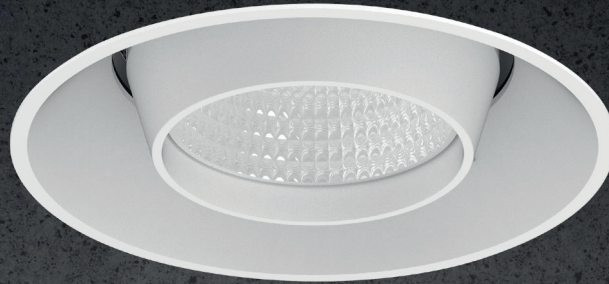


Concord



JAX EYE

Adjustable LED Downlights Range

JAX Eye family combines a unique blend of form and function by providing lighting designers with extremely versatile luminaires and the ultimate in efficient performance. The smooth and easy tilt with rotational control coupled with a sleek rebated bezel work in harmony to reduce glare.

JAX EYE

Adjustable LED Downlights Range



Features

- Constructed with a diecast bezel and drop forged heatsink
- Reflectors are anodised aluminium
- Interchangeable optics 20°/40°, standard 40°
- Cree CXB 95+
- Available in 3000K & 4000K colour temperature
- Quick and Easy – installation
- Dimmable – refer driver platform for options
- 50,000 Hours (L70)
- One of a family of 2 trim sizes (Single, Twin) mount with 25/30/35/40 wattage options depending on driver.

Applications

- Designed for retail, food preparation, facades

Specifications

	Single	Twin
Colour temp	3000K and 4000k	3000K and 4000k
Lumen output	See chart	See chart
CRI	>90	>90
Macadams step	3 SDCM	3 SDCM
Beam distribution	Symmetric	Symmetric
Default beam angle	40°	40°
Lumen maintenance	L70 50,000hrs	L70 50,000hrs
Control	Remote	Remote
Dimensions	Ø186 x h:141mm	Ø376 x h:143mm
Cutout	Ø175mm	R87.5 x 190mm
Min recessed depth	175mm	175mm
Power factor	0.9	0.9
Electrical rating	Class III	Class III

Option

Product Code	Description
JE186RN20	JAX Eye 20° Reflector

JAX EYE

Adjustable LED Downlights Range

Technical Requirements

25/30W	Required Component			
	Driver		25W	30W
	DAD32F01	Non-Dim	550mA	700mA*
	DAD32D01	DALI		
	DAD32V07001	1-10V		
* = Factory Default				

Body selection	Description	Wattage	Lumens Initial	Lumens Exit	mA setting
JE1863101	JAX Eye 40W 3K 40D White	25			550
		30	2389	1922	700
JE1864101	JAX Eye 40W 4K 40D White	25			550
		30	2595	2067	700
JE1863102	JAX Eye 40W 3K 40D Black	25			550
		30	2389	1922	700
JE1864102	JAX Eye 40W 4K 40D Black	25			550
		30	2595	2067	700
JET3763101*	JAX Eye Twin 40W 3K 40D White	2 x 25			550
		2 x 30	4778	3844	700
JET3764101*	JAX Eye Twin 40W 4K 40D White	2 x 25			550
		2 x 30	5190	4134	700
JET3763102*	JAX Eye Twin 40W 3K 40D Black	2 x 25			550
		2 x 30	4778	3844	700
JET3764102*	JAX Eye Twin 40W 4K 40D Black	2 x 25			550
		2 x 30	5190	4134	700

35/40W	Required Component			
	Driver		35W	40W
	DAT65F14001	Non-Dim	900mA	1050mA*
	DAT55D14001	DALI		
	DAM60V14001	1-10V		
* = Factory Default				

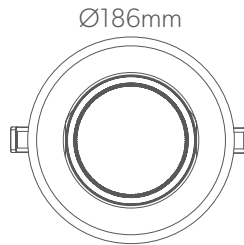
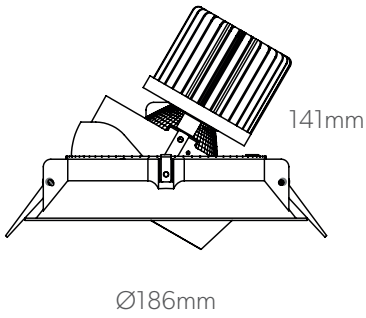
Body selection	Description	Wattage	Lumens Initial	Lumens Exit	mA setting
JE1863101	JAX Eye 40W 3K 40D White	35			900
		40	4029	3453	1050
JE1864101	JAX Eye 40W 4K 40D White	35			900
		40	4312	3696	1050
JE1863102	JAX Eye 40W 3K 40D Black	35			900
		40	4029	3453	1050
JE1864102	JAX Eye 40W 4K 40D Black	35			900
		40	4312	3696	1050
JET3763101*	JAX Eye Twin 40W 3K 40D White	2 x 35			900
		2 x 40	8058	6906	1050
JET3764101*	JAX Eye Twin 40W 4K 40D White	2 x 35			900
		2 x 40	8624	7392	1050
JET3763102*	JAX Eye Twin 40W 3K 40D Black	2 x 35			900
		2 x 40	8058	6906	1050
JET3764102*	JAX Eye Twin 40W 4K 40D Black	2 x 35			900
		2 x 40	8624	7392	1050

*Requires 2 drivers per fitting

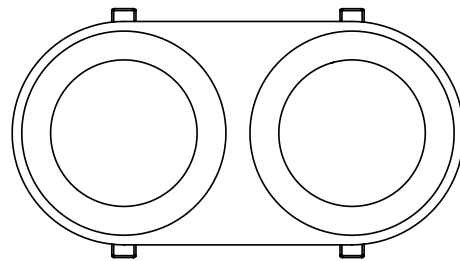
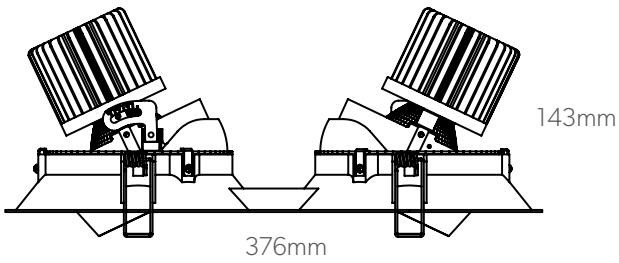
JAX EYE

Adjustable LED Downlights Range

Technical Requirements



Cut out Ø175mm 



Cut out 
R87.5 190

