

## QUADRO MONO EMME

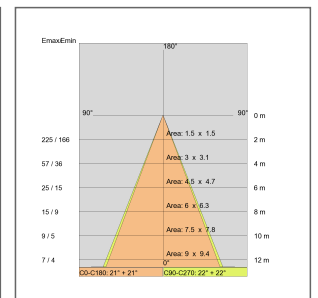
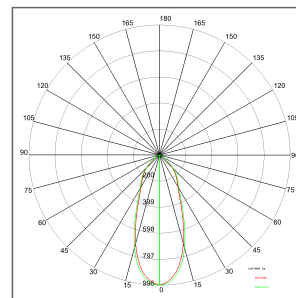
COD: E5362-MLBC-40

Use:  
outside, led  
Installation:  
Wall mounted  
Body/structure:  
EN AB-47100 Die-cast aluminium body  
Coating:  
Polyester powder coating with special treatment for outdoor use

Colour:  
Grey  
Optic/reflector:  
Polycarbonate metallized reflector  
Equipment:  
Silicon rubber gaskets  
Glass/diffuser:  
Clear tempered glass  
Cable gland:  
Silicon rubber cable gland PG11  
Control gear:  
Integrated LED diodes ballast, stabilized output current 350mA dc

Voltage:	220-240V 50/60Hz
Beam angle :	Simmetric flood beam 40 Degrees
Insulation class:	Insulation class 1
Weight:	3 kg
IP rating:	65
Glow wire:	[850 °C]
Lamp included:	Yes
Luminaire wattage:	7.2 W
Luminous flux:	633 lm
Lamp/led rated life:	50000 hours L80 B50
Colour temperature:	3000K
CRI:	80
Color constancy:	5 SDCM

Review board: 24-03-2017



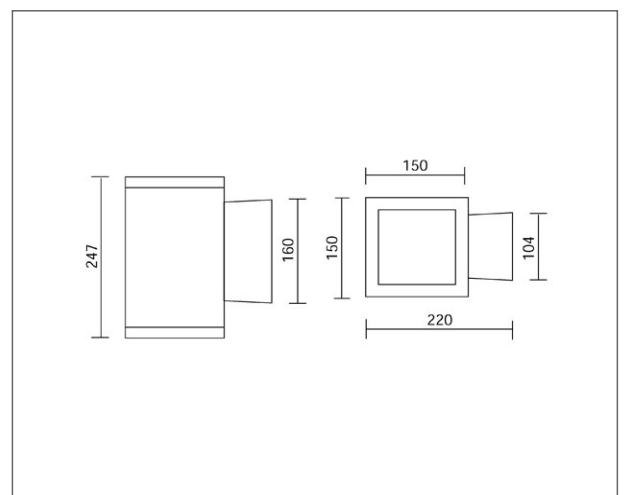
Lamp: 1 x 6.2 W 770 lm



IP 65



RG0



**QUADRO MONO EMME**  
COD: E5362-MLBC-40



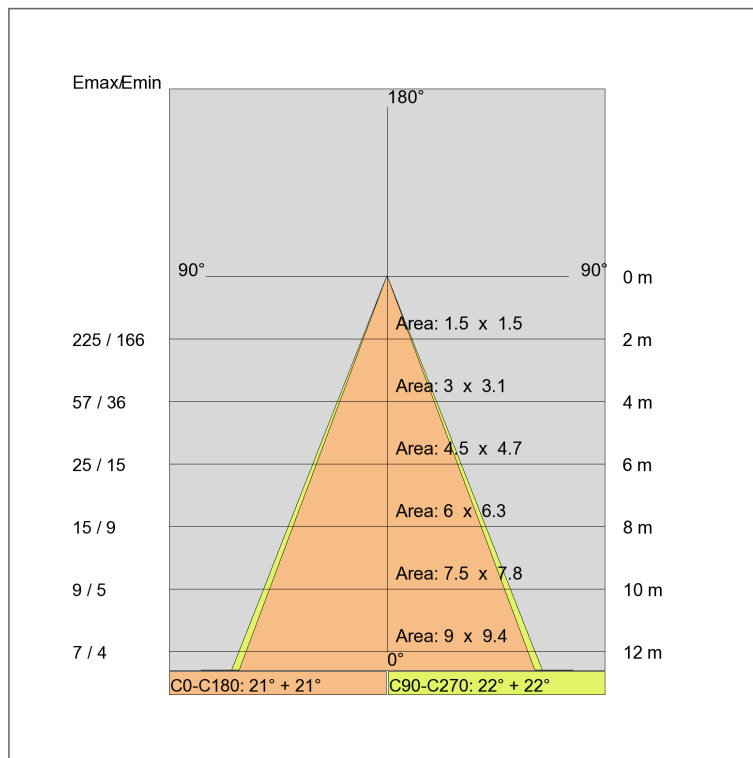
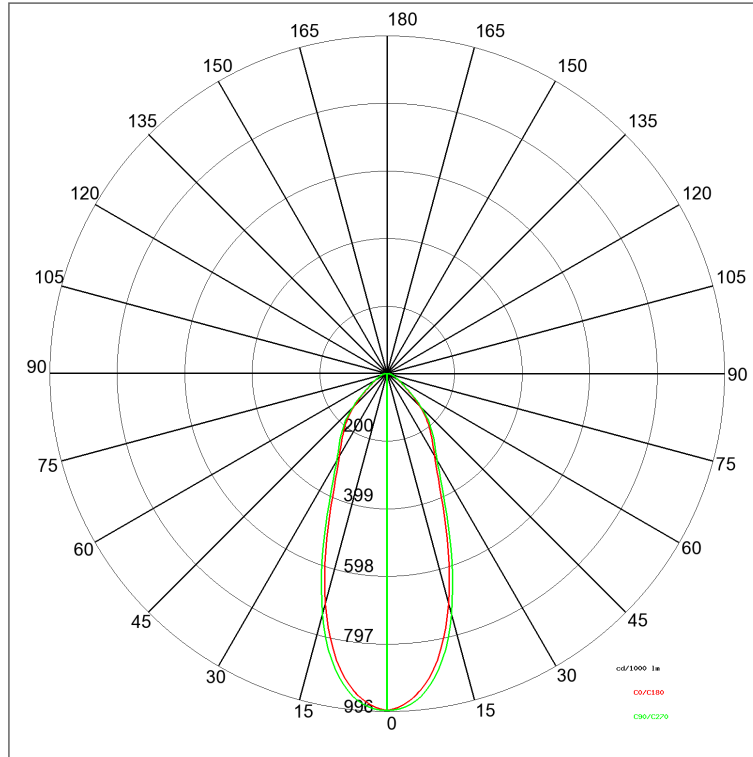
**4056-3**  
PALO DA INTERRARE



**4056-6**  
PALO DA INTERRARE

**QUADRO MONO EMME**

COD: E5362-MLBC-40



**QUADRO MONO EMME**  
COD: E5362-MLBC-40

