



LEDsmart+ Rotary Disc and Wall Mounting Kit

Elegant Interface for LEDsmart+ Rotary Dimmers



Note: LEDsmart+ Dimmer not included

Range MMCE/RT

Overview

The Rotary Disc and Mounting Kit is suitable for use with LEDsmart+™ Rotary Dimmers. It is mounted directly into a plasterboard wall, no wall plate is required. Simply remove the original LEDsmart+ Rotary Dimmer Dial, replace it with the Rotary Disc, and mount using the supplied Mounting Kit. This provides an elegant circular dimming interface for users, with a visible diameter of only 56mm.

Features

Provides an elegant interface for LEDsmart+ Rotary Dimmers

Interface for both rotary dimming and push on/off control (via a Diginet LEDsmart+ Rotary Dimmer with integrated on/off switch)

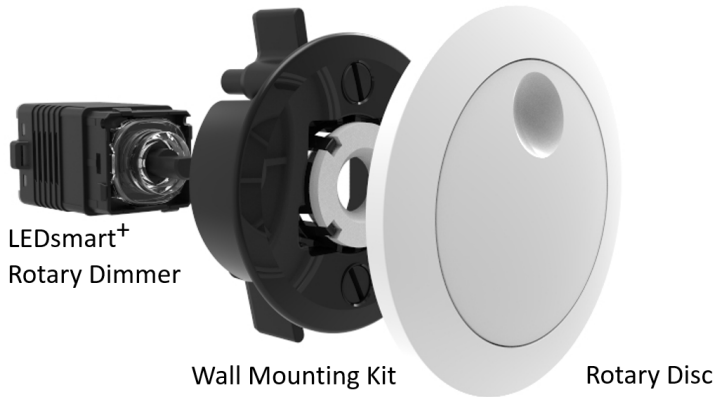
Only the 56mm Rotary Disc is visible on the wall – no additional wall plate is needed

Choice of two Rotary Discs – white and white/faux glass (both included in packaging)

'Adaptor Base' included to allow 3rd party designed and manufactured Rotary Discs to be used (see installation guide for further information)

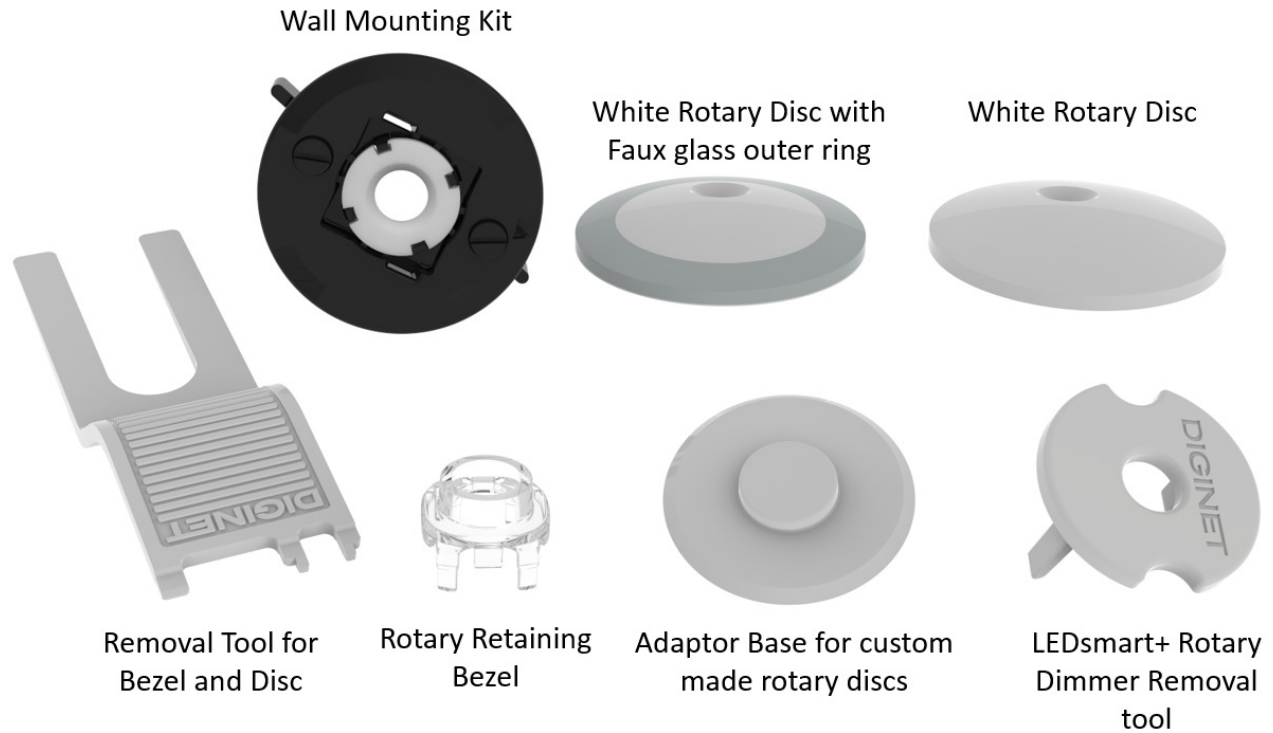


Exploded view



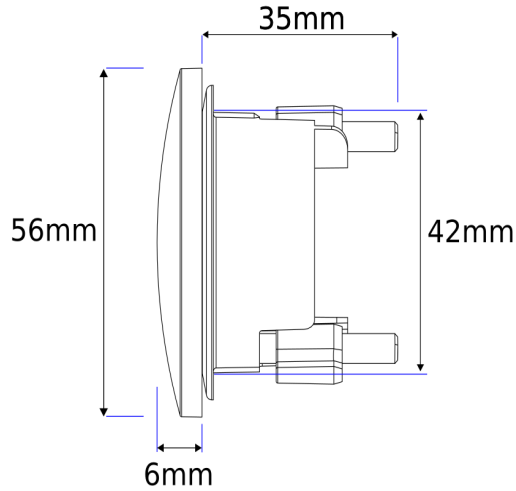
Note: LEDsmart+ Rotary Dimmer not included

Package Contents





Dimensions



Approvals & Compliance

IP20 

CONTACT INFORMATION

Web	www.diginet.net.au	
General Enquiries:	1300 95 DALI (3254)	sales@diginet.net.au
Technical Services:	1300 95 3244	support@diginet.net.au
Fax:	1300 95 3257	

PRODUCT OF GERARD LIGHTING PTY LTD

ABN – 94 122 520 307
96-112 Gow Street
Padstow NSW 2211

DIGINET IS A BRAND OF GERARD LIGHTING GROUP

The product includes a **TWO-YEAR WARRANTY** against manufacturing defects. Fully warranty terms can be found here www.diginet.net.au

COPYRIGHT. ©This document is copyright to Gerard Lighting Pty Ltd. Except as permitted under relevant law, no part of this user and installation guide may be reproduced by any process without written permission of and acknowledgement to Gerard Lighting. **DISCLAIMER.** Gerard Lighting Pty Ltd reserves the right to alter the specifications, designs or other features of any items and to discontinue any items at any time without notice and without liability. While every effort is made to ensure that all information in this user and installation guide is correct, no warranty of accuracy is given and Gerard Lighting shall not be liable for any error. **TRADEMARKS.** The identified trademarks and copyrights are the property of Gerard Lighting Pty Ltd unless otherwise noted. Bluetooth is a registered trademark of Bluetooth SIG, Inc. Avi-on is registered trademark of Avi-on Labs, Inc.