



# Disano Torcia



**Housing/cover:** made of die-cast aluminium.

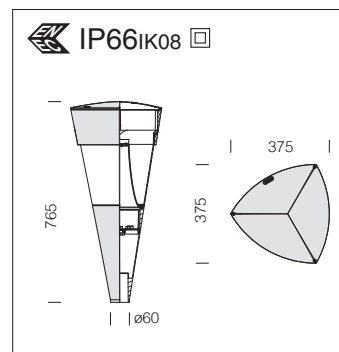
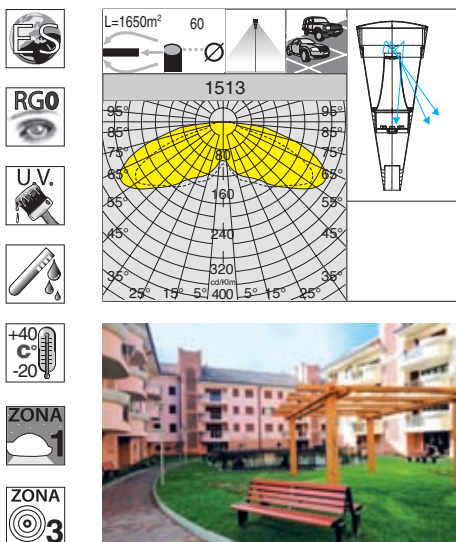
**Diffuser:** in transparent, vandal-resistant and V2 self-extinguishing polycarbonate, UV-stabilized.

**Coating:** In several stages. First stage: black epoxy cationic electro-coating, resistant to corrosive and saline environments. Second stage: UV-stabilizing priming, and lastly rough finish with colour graphite or silver acrylic coating.



**On request:** acetic acid salt spray coating pursuant to standard UNI EN ISO 9227 "Corrosion Tests in Artificial Atmosphere".

**Standard supply:** Automatic temperature control inside the device with automatic resetting. Safety diode to protect against voltage peaks compliant with EN 61547. With dedicated electronic device to protect the LED module. Complete with quick connection. Art. 1513 supplied with double insulation switch.



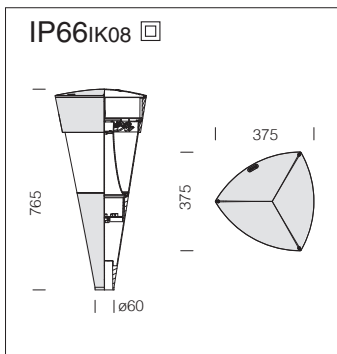
**Reflector art. 1513:** made of specular aluminium

**LED:** Power factor  $\geq 0.9$   
Luminous flux maintenance 70%  
50.000h (L70B50).

1513 Torcia				
		CLD CELL		LED (Tp=25°C)
wattage (1050mA)	colour	weight	code	W
LED COB	s. silver	7.40	423250-00	54
LED COB	graphite	7.40	423251-00	

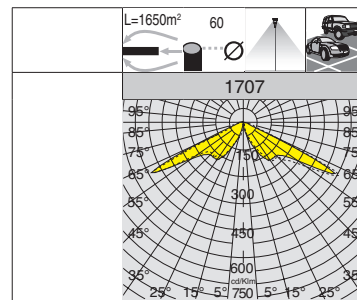
1513 Torcia - anti-light pollution				
		CLD CELL		LED (Tp=25°C)
wattage (1050mA)	colour	weight	code	W
LED COB	s. silver	7.40	423250-0016	54
LED COB	graphite	7.40	423251-0016	

# Torcia - LED

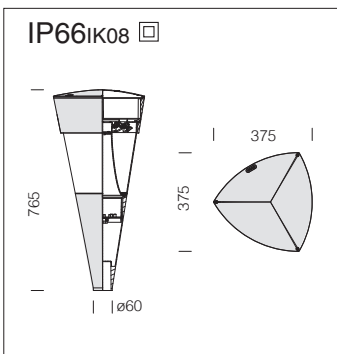


**Optics:** Optics made of PMMA with high temperature resistance and UV rays. Flow recovery in V0 polycarbonate, metallized high yield.

**LED:** Power factor  $\geq 0.9$   
Luminous flux maintenance 70%  
60.000h (L70B20).

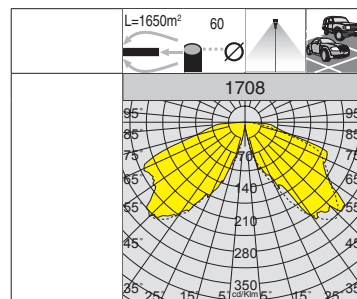


1707 Torcia					
		CLD CELL		W	LED (Tj=25°C)
wattage (700mA)	colour	weight	code		47
LED	s. silver	7.40	423252-00	4000K - 7080lm - CRI>70	
LED	graphite	7.40	423253-00		



**Optics:** Optics made of PMMA with high temperature resistance and UV rays. Flow recovery in V0 polycarbonate, metallized high yield.

**LED:** Power factor  $\geq 0.9$   
Luminous flux maintenance 70%  
60.000h (L70B20).



1708 Torcia					
		CLD CELL		W	LED (Tj=25°C)
wattage (700mA)	colour	weight	code		47
LED	s. silver	7.40	423255-00	4000K - 7080lm - CRI>70	
LED	graphite	7.40	423256-00		

Rated average design life where stated is based upon application of the product's operating and maintenance guidelines; Actual product life may vary dependent upon frequency of maintenance and product application. Lumens noted are chip lumens. Wattages noted are module wattages. Due to continual product improvement, information is subject to change without notification. Gerard Lighting Pty Ltd standard Terms and Conditions apply. Correct as at date 14/3/2017.