



KAOS

Range Of LED Downlights

Kaos range Of Adjustable LED Downlights is the newest range of high performance LED downlights from Concord. Engineered with the latest in LED technology, Kaos offers a range of lumen outputs, beam angles and dimming protocols to cover a range of applications, while guaranteeing the lifetime and quality of LED - tested L70 50,000hrs with no measurable infrared and no harmful UV.

Kaos is fully adjustable being able to rotate 355° with 30° tilt.

KAOS

Range Of Adjustable LED Downlights



Features

- Polycarbonate trim and mandrel with a heat forged heatsink
- Interchangeable aluminium faceted reflectors 20° and 40° , standard 40°
- Cree CXB 95+
- Toolless operation, plug and plug
- Quick and Easy –installation
- Dimmable – refer driver platform for options
- 50,000 Hours (L70)

Applications

- Designed for retail, commercial environments, Breakout areas, corridors, office space

Specifications

	Minor	Major
Colour temp	3000K and 4000K	3000K and 4000K
Lumen output		
CRI	>95	>95
Macadams step	3 SDCM	3 SDCM
Beam distribution	Symmetric	Symmetric
Default beam angle	40°	40°
Lumen maintenance	L70 50,000hrs	L70 50,000hrs
Control	Remote	Remote
Dimensions	Ø108 x 90mm	Ø135 x 111mm
Cutout	Ø104mm	Ø130mm
Min recessed depth	120mm	141mm
Power factor	0.9	0.9
Electrical rating	Class III	Class III

Option

Product Code	Description
KA108RN20	20°Optical Reflector Minor
KA135RN20	20°Optical Reflector Major

KAOS

Range Of Adjustable LED Downlights

Technical Requirements

10/15W	Required Component			
	Driver		10W	15W
	DAD20F01	Non-Dim	250mA	350mA*
	DAD20D01	DALI		
	DAD20V035001	1-10V		
* = Factory Default				

Body selection	Description	Wattage	Lumens Initial	Lumens Exit	mA setting
KA1083351	KAOS MINOR 15W 3K 40D WHITE	10			250
		15	1142	1069	350
KA1084351	KAOS MINOR 15W 4K 40D WHITE	10			250
		15	1181	1106	350
KA1083352	KAOS MINOR 15W 3K 40D BLACK	10			250
		15	1142	1069	350
KA1084352	KAOS MINOR 15W 4K 40D BLACK	10			250
		15	1181	1106	350

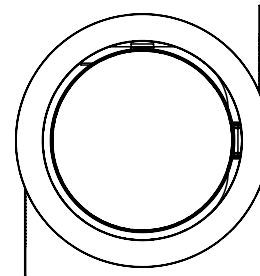
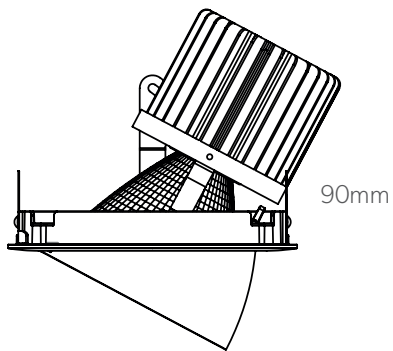
25/30W	Required Component			
	Driver		25W	30W
	DAD32F01	Non-Dim	550mA	700mA*
	DAD32D01	DALI		
	DAD32V07001	1-10V		
* = Factory Default				

Body selection	Description	Wattage	Lumens Initial	Lumens Exit	mA setting
KA1353701	KAOS MAJOR 30W 3K 40D WHITE	25			550
		30	2470	2343	700
KA1354701	KAOS MAJOR 30W 4K 40D WHITE	25			550
		30	2552	2421	700
KA1353702	KAOS MAJOR 30W 3K 40D BLACK	25			550
		30	2470	2343	700
KA1354702	KAOS MAJOR 30W 4K 40D BLACK	25			550
		30	2552	2421	700

KAOS

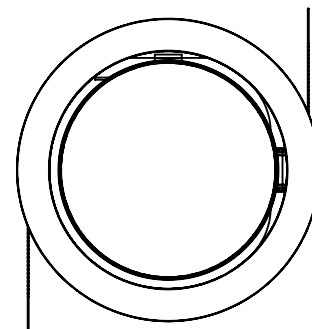
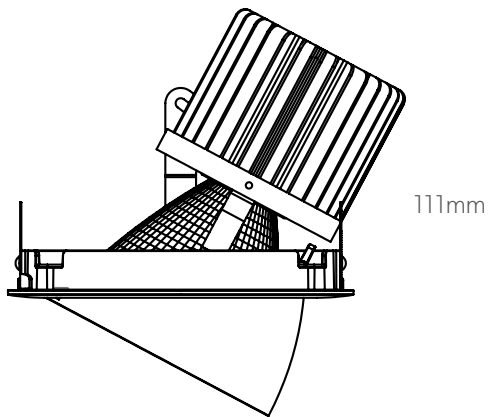
Range Of Adjustable LED Downlights

Technical Requirements



Ø108mm

Cut out Ø104mm



Ø135mm

Cut out Ø130mm

