

DALI Ethernet Interface



www.dignet.net.au



Front interface with upper and lower "slide out" ID tag and label panels shown.

Range

DGLMIFE02



Overview

The DALI Ethernet Interface Device is part of the Dignet Lighting Management System which incorporates the Digital Addressable Lighting Interface (DALI) open standard protocol for lighting.

The device provides an isolated communication path between Ethernet and DALI. Control and monitoring of DALI enabled luminaires and emergency lighting devices can be performed by a PC at any location with LAN connectivity (wired/wireless), including remote from the installation.

Features

Supports two DALI lines and each line can have up to 64 DALI addressable units such as LED Drivers, Fluorescent Ballasts, and Emergency Lighting Drivers.

Current draw on each DALI line of 4mA

Multiple Ethernet/DALI Interface devices may be installed and operate as a single system

Operates with 10/100/1000 Mbits/sec twisted pair network types

Supports SNMP monitoring for managed networks

Supports DHCP for address assignment

Connection on the device uses an RJ45 8 pin socket (T568A termination).

The DALI line terminals and the SELV power supply terminals are both sized to allow 3x1.5mm² or 2x2.5mm² (solid or stranded) conductors to be terminated

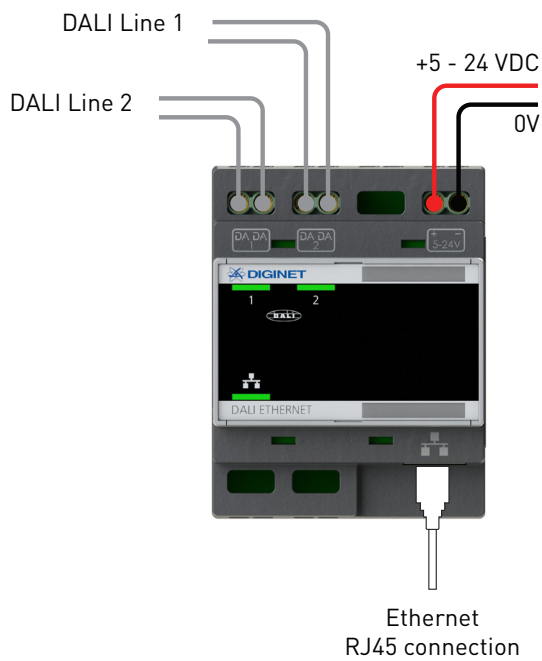
DIN rail mounted

DALI line communication LED indicators for each line

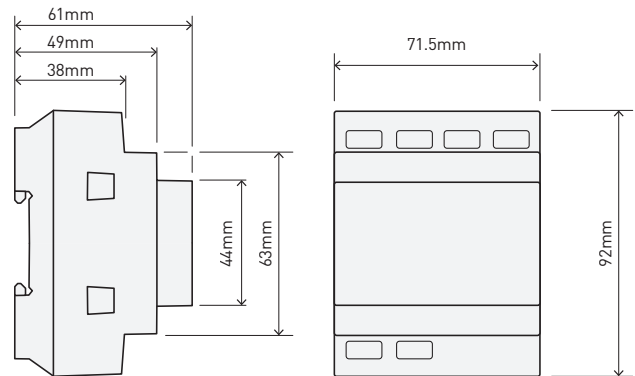
Ethernet communication LED indicator



Connections



Dimensions



Identification Panels



SHUT

OPEN

Both "slide out"
ID panels shown.



Specifications

Electrical

Input voltage	5 to 24Vdc
Input power	1.2VA (active)/2.5VA (start-up)
DALI line capacity	2 DALI lines
DALI line operating voltage	18Vdc (nominal) on each line supplied by external DALI power supply
DALI line current draw	4mA per line
Frequency	50/60Hz
Isolation	≥3.75kV ac Ethernet RJ45 to DALI line terminals
	≥1.5kV ac Ethernet RJ45 to SELV (5-24V DC) terminals
Start-up time	30 sec
Ethernet	10/100/1000Mbps/sec twisted pair network types
	Supports SNMP monitoring for managed networks
	DHCP support – contact Diginet Control Systems

Mechanical

Ethernet connection	RJ45 8 pin plug (T568A termination)
DALI line terminals	Screwed – 3 x 1.5mm ² solid/stranded
dc supply terminals	Screwed – 2 x 1.5mm ² solid/stranded
Ingress protection	IP20
Materials	Enclosure/fascia – flame resistant polycarbonate
	DIN rail clip – ABS
Weight	160 grams
Dimensions 4 DIN modules	92 x 71.5 x 62.2 (H x W x D in millimetres)

Environmental

Ambient operating temperature	0 to 50° C
Ambient storage temperature	-10 to 70° C
Humidity	0% to 95% RH non condensing

Approvals & Compliance



CONTACT INFORMATION

Internet: www.diginet.net.au
 General Enquiries: 1300 95 DALI (3254) sales@diginet.net.au
 Technical Services: 1300 95 3244 support@diginet.net.au
 Fax: 1300 95 3257

PRODUCT OF DIGINET CONTROL SYSTEMS PTY LTD

ABN 89 095 788 864
 96-112 Gow Street
 Padstow NSW 2211 Australia



A MEMBER OF THE GERARD LIGHTING GROUP

The product includes a **TWO-YEAR WARRANTY** against manufacturing defects. Full warranty terms can be found here at www.diginet.net.au **COPYRIGHT.** This document is copyright to Diginet Control Systems Pty Ltd. Except as permitted under relevant law, no part of this user and installation guide may be reproduced by any process without written permission of and acknowledgment to Diginet. **DISCLAIMER.** Diginet Control Systems Pty Ltd (Diginet) reserves the right to alter the specifications, designs or other features of any items and to discontinue any items at any time without notice and without liability. While every effort is made to ensure that all information in this user and installation guide is correct, no warranty of accuracy is given and Diginet shall not be liable for any error. **TRADEMARKS.** The identified trademarks and copyrights are the property of Diginet Control Systems Pty Ltd unless otherwise noted.