

SYLVANIA



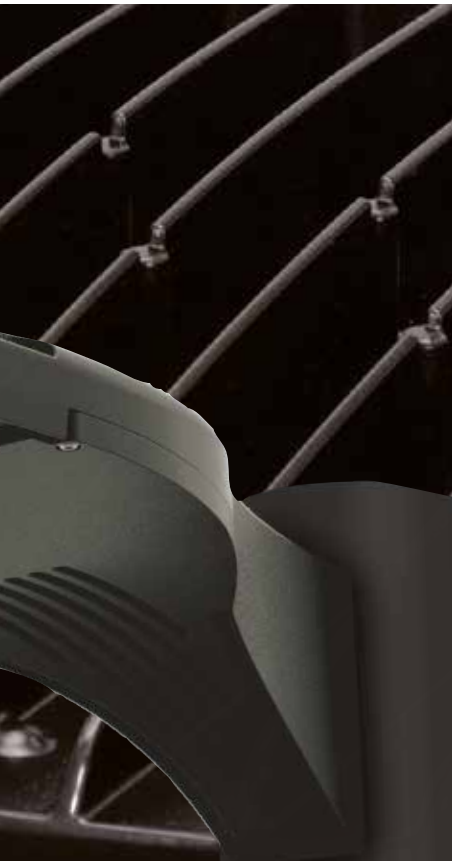
Nightstar LED



Nightstar Series 2



Nightstar Series 1



The modern styling of the **the Nightstar LED** is striking yet unobtrusive - making a bold, progressive statement as it blends seamlessly with its environment.

The Nightstar LED Series takes all the benefits of LED technology and moulds it into a high performance, high efficacy and long life area lighting luminaire.

With its exceptional 'finned' thermal management system, **the Nightstar LED Series** is capable of delivering over 100,000 hours LED module life.*

Offering a wide range of lumen packages and optical distributions, the **Nightstar LED Series** delivers optimised lighting application designs.

With the integrated DALI option, **the Nightstar LED Series** delivers a controllable luminaire that helps you realise energy consumption goals and demonstrate environmental responsibility.

With its unique optics placed below each LED, light is delivered where it needs to be, providing a uniform Nighttime Friendly environment with minimal light pollution.

optics / light source

- > 30, 60, 80 & 100 LED options available.
- > Fully soak tested light engines ensuring LED reliability and eliminating early failures.
- > 4000°K colour temperature.
- > Eight lumen packages available (5,000, 6,000, 8,000, 11,000, 16,000, 22,000, 30,000 & 36,000).

approvals

Complies with AS/NZS 60598.1; AS/NZS 1158.6

IP IP65 luminaire* and LED optic

Ta 40°C

* .TLS option is IP43 rated with IP65 LED optics

CE



Indicative Performance | Selected Wattages

Configuration	Delivered Lumens	Power Consumption	Drive Current	Rated Life of LED Module (L70B50 @Tq 20°C)*
DS1064F7L068	6653	51W	525mA	100,000+ hrs
DS1164F7L137	16437	137W	700mA	100,000+ hrs
DS2304F7L260	30188	260W	1050mA	100,000+ hrs

Note: Data is correct at time of print.

* For other life metric data in line with IEC PAS62722-2-1 and 62717 contact your **Gerard Lighting** Representative for details.

applications

Landscaped areas	Town squares
Car parks	Retail parks
Amenity areas	Entrance roads
	Parks

specification

Single-piece die-cast aluminium housing, that conforms to EN1706 AC-46500, with integral heat sink fins to optimise thermal management through conductive cooling.

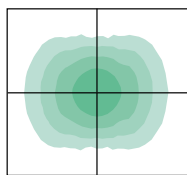
LED modules are IP65 with individual lenses, and high grade aluminium housing to transfer heat away from the LEDs and dissipate through the finned housing for cooling.

The LED driver is mounted in direct contact with the finned housing for cooling to promote low operating temperature and long system life. Housing is completely sealed against moisture and environmental contaminants (IP65).

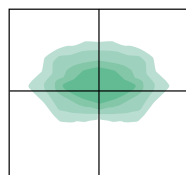
Installation is via the integrated mounting block and integral arm that facilitate a quick and easy installation.

light distribution

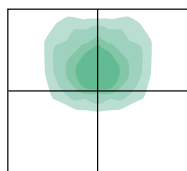
Symmetric - Type 5



Asymmetric - Type 3



Forward Throw - Type 4



features and benefits

System Longevity

- > The Nightstar LED Series' diecast aluminium housing acts as its primary heat sink. Its longitudinal fins employ conductive cooling techniques to dissipate heat away from the key LED components and driver that extends the life of the luminaire.
- > Light engine(s) consist of either 20 or 30 high efficacy LEDs (subject to chosen configuration) mounted to a metal-core circuit board to maximize heat dissipation and promote long life.

exceptional performance

- > Offering eight lumen packages ranging from 5000 lm to 36,000 lm with efficiencies of up to 130 lpw (Lumens Per Watts).
- > Three optimised distributions (asymmetric, symmetric and forward throw) delivered by quality LEDs and bespoke UV stabilised optics.
- > LED light engines with 0% ULOR ensuring night time friendly.

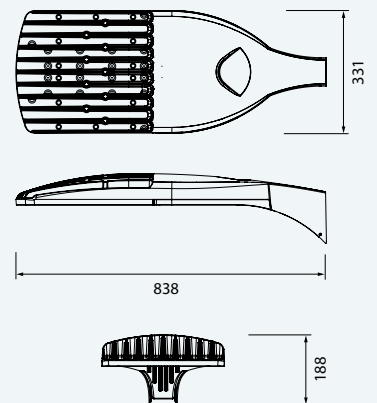
complete light package

Available with DALI compatible driver and photocell options enabling control compatibility.

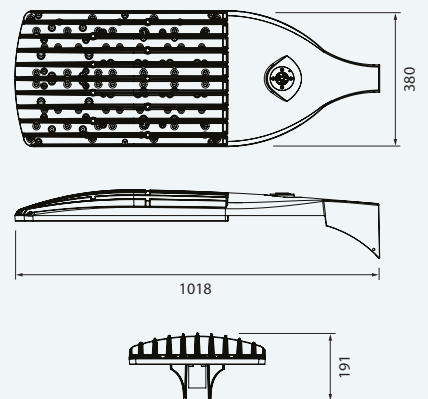


dimensions in mm

Nightstar Series 1



Nightstar Series 2



weight (with control gear)

Series 1	12.2kg
Series 2	15.0kg

windage (effective projected area)

Series 1	0.07m ²
Series 2	0.10m ²

TA

40°C



SYLVANIA

ordering details - luminaire



Ordering Code	Product Descriptor	Series	Wattage	CCT Colour	Lumen Package	Distribution Type	Body (RAL)
DS1054F7L034	NIGHTSTAR DS 34W 4K BLACK T4	1	34W	4000K	~5000 lm	T4	Black RAL9005
DS1054S7L034	NIGHTSTAR DS 34W 4K BLACK T5	1	34W	4000K	~5000 lm	T5	Black RAL9005
DS1054A7L034	NIGHTSTAR DS 34W 4K BLACK T3	1	34W	4000K	~5000 lm	T3	Black RAL9005
DS1064F7L051	NIGHTSTAR DS 51W 4K BLACK T4	1	51W	4000K	~6000 lm	T4	Black RAL9005
DS1064S7L051	NIGHTSTAR DS 51W 4K BLACK T5	1	51W	4000K	~6000 lm	T5	Black RAL9005
DS1064A7L051	NIGHTSTAR DS 51W 4K BLACK T3	1	51W	4000K	~6000 lm	T3	Black RAL9005
DS1084F7L068	NIGHTSTAR DS 68W 4K BLACK T4	1	68W	4000K	~8000 lm	T4	Black RAL9005
DS1084S7L068	NIGHTSTAR DS 68W 4K BLACK T5	1	68W	4000K	~8000 lm	T5	Black RAL9005
DS1084A7L068	NIGHTSTAR DS 68W 4K BLACK T3	1	68W	4000K	~8000 lm	T3	Black RAL9005
DS1114F7L098	NIGHTSTAR DS 98W 4K BLACK T4	1	98W	4000K	~11 000 lm	T4	Black RAL9005
DS1114S7L098	NIGHTSTAR DS 98W 4K BLACK T5	1	98W	4000K	~11 000 lm	T5	Black RAL9005
DS1114A7L098	NIGHTSTAR DS 98W 4K BLACK T3	1	98W	4000K	~11 000 lm	T3	Black RAL9005
DS1164F7L137	NIGHTSTAR DS 137W 4K BLACK T4	1	137W	4000K	~16 000 lm	T4	Black RAL9005
DS1164S7L137	NIGHTSTAR DS 137W 4K BLACK T5	1	137W	4000K	~16 000 lm	T5	Black RAL9005
DS1164A7L137	NIGHTSTAR DS 137W 4K BLACK T3	1	137W	4000K	~16 000 lm	T3	Black RAL9005
DS1224F7L195	NIGHTSTAR DS 195W 4K BLACK T4	1	195W	4000K	~22 000 lm	T4	Black RAL9005
DS1224S7L195	NIGHTSTAR DS 195W 4K BLACK T5	1	195W	4000K	~22 000 lm	T5	Black RAL9005
DS1224A7L195	NIGHTSTAR DS 195W 4K BLACK T3	1	195W	4000K	~22 000 lm	T3	Black RAL9005



Ordering Code	Product Descriptor	Series	Wattage	CCT Colour	Lumen Package	Distribution Type	Body (RAL)
DS2304F7L260	NIGHTSTAR DS 260W 4K BLACK T4	2	260W	4000K	~30 000 lm	T4	Black RAL9005
DS2304S7L260	NIGHTSTAR DS 260W 4K BLACK T5	2	260W	4000K	~30 000 lm	T5	Black RAL9005
DS2304A7L260	NIGHTSTAR DS 260W 4K BLACK T3	2	260W	4000K	~30 000 lm	T3	Black RAL9005
DS2364F7L326	NIGHTSTAR DS 326W 4K BLACK T4	2	326W	4000K	~36 000 lm	T4	Black RAL9005
DS2364S7L326	NIGHTSTAR DS 326W 4K BLACK T5	2	326W	4000K	~36 000 lm	T5	Black RAL9005
DS2364A7L326	NIGHTSTAR DS 326W 4K BLACK T3	2	326W	4000K	~36 000 lm	T3	Black RAL9005

N.B. Mounting blocks are required for all luminaires listed above - both Series 1 & 2

Ordering Code	Product Descriptor	Series	Wattage	CCT Colour	Lumen Package	Distribution Type	Body (RAL)
DSMTGBLKRPA BL	NSTAR MOUNTING BLOCK AND ROUND POLE ADAPTER	1 & 2	N/A	N/A	N/A	N/A	Black RAL9005
DSMTGBLKSPA BL	NSTAR MOUNTING BLOCK BLACK	1 & 2	N/A	N/A	N/A	N/A	Black RAL9005

For more information, contact your Gerard Lighting representative or visit: www.gerardlighting.com.au