

DOT **9700SMXL LED**  
EXCEL SERIES



CREE CXB

CRI Value:  $\leq 92$   
R<sub>g</sub> Value:  $\leq 63$   
MacAdam: 2



MODELS (Reflector Options)

Narrow Beam – 39° Beam Angle



/4

Wide Beam – 60° Beam Angle



/8

OPTION

IP65 Narrow Beam (Factory Fitted)

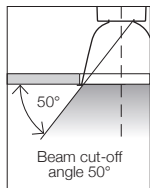


Complete luminaire rated IP65  
/4-IP65

IP65 Wide Beam (Factory Fitted)



Complete luminaire rated IP65  
/8-IP65



White Ceiling Plate A930/01 fitted to downlight as standard.

Total Energy Consumption P <sub>L</sub> (W) – Refer LED Performance Guide	
Weight	1600 gms
IEC 60598.1.2	Complies
AS/NZS60598.1.2	Complies
Cyanosis (Australia only)	4000k option approved
IP Rating	Refer Accessory

Dimming Options Available

- Analogue dimming 1-10 volt AD
- DALI dimming DALI

ORDERING CODE FORMAT

Example: DOT	97	3	8	SMXL	/IP6X	/40	/DALI	/A930
Model Series Number (97)	↑	↑	↑	↑	↑	↑	↑	↑
Driver Code (Refer Table below)		↑	↑	↑	↑	↑	↑	↑
Beam Angle (4-Narrow or 8-Wide)			↑	↑	↑	↑	↑	↑
Series Code (SM-Surface Mount, XL-Excel)				↑	↑	↑	↑	↑
IP65 Option (if required: 4-Narrow or 8-Wide)					↑	↑	↑	↑
LED engine colour (/30-930 or /40-940)						↑	↑	↑
Dimming option if required (/AD or /DALI)							↑	↑
Accessory Code								↑

LED GUIDE – DOT 9700SMXL EXCEL SERIES (Wide Beam Option)

DOT Model No. /30 : 3000k /40 : 4000k	Driver Ordering Code	Driver current (mA)	CRI (Ra)	Wattage (W)	Lumens generated by LED engine <b>B</b>	Luminaire Output Lumens <b>C</b>	Luminaire efficacy (lm/W output)	Lifetime – LED engine (Hours @ L90)
DOT 9738SMXL/30 <b>A</b>	3	350mA	92	13.8	1500	<b>1120</b>	<b>81.2</b>	70,000
DOT 9738SMXL/40	3	350mA	92	13.8	1700	<b>1286</b>	<b>93.4</b>	70,000
DOT 9758SMXL/30 <b>A</b>	5	500mA	92	19.2	2100	<b>1650</b>	<b>85.9</b>	65,000
DOT 9758SMXL/40	5	500mA	92	19.2	2400	<b>1891</b>	<b>98.6</b>	65,000
DOT 9778SMXL/30 <b>A</b>	7	700mA	92	27.1	2900	<b>2180</b>	<b>80.4</b>	60,000
DOT 9778SMXL/40	7	700mA	92	27.1	3300	<b>2509</b>	<b>92.5</b>	60,000
DOT 9798SMXL/30 <b>A</b>	9	900mA	92	34.9	3400	<b>2780</b>	<b>79.6</b>	55,000
DOT 9798SMXL/40	9	900mA	92	34.9	3900	<b>3193</b>	<b>91.5</b>	55,000

**A** Figures extrapolated / interpolated from data at other currents.

**B** Lumens generated : LED Engine lumens before downlight losses incurred.

**C** Output Lumens : Delivered lumen output from downlight, including thermal, electrical and optic losses.  
– Narrow beam option may vary  $\pm 2\%$ .



**AXLOCK ACCESSORIES** Fitted to downlight after installation. Accessory trims available White /01 or Silver /55.

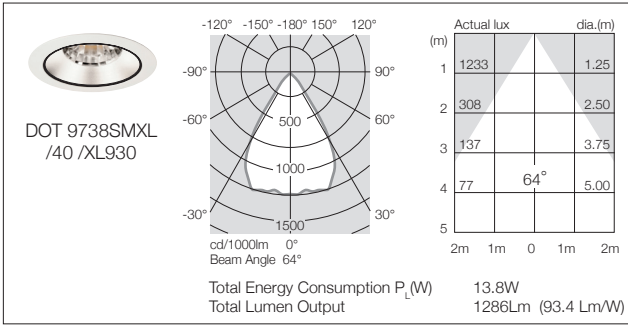
<p>Round Ceiling Plate w/highlight IP20</p>  <p><b>XL930</b></p>	<p>Round Ceiling Plate IP20</p>  <p><b>A930</b></p>	<p>Round Flush Glass IP54</p>  <p><b>A937-FG</b></p>	<p>Round Dropped Glass IP20</p>  <p><b>A937-DG</b></p>
<p>Round Clear Lens w/highlight IP54</p>  <p><b>XL931-CL</b></p>	<p>Round Clear Lens IP54</p>  <p><b>A931-CL</b></p>	<p>Round Soft Diffusion Lens IP54</p>  <p><b>A931-DL</b></p>	<p>Round Washlight Lens IP54</p>  <p><b>A933</b></p>

**SECURED ACCESS ACCESSORIES** Fitted to downlight before installation. Accessory trims available White /01 or Silver /55.

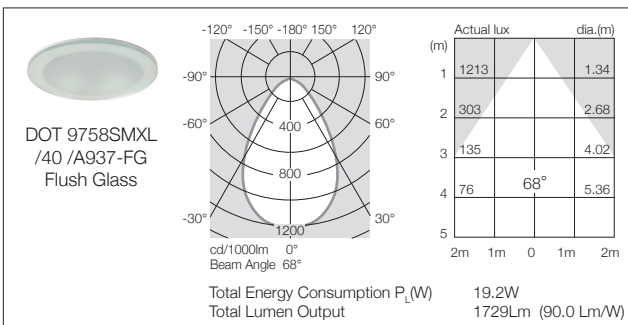
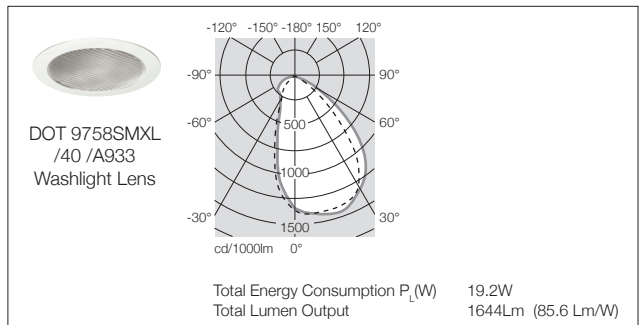
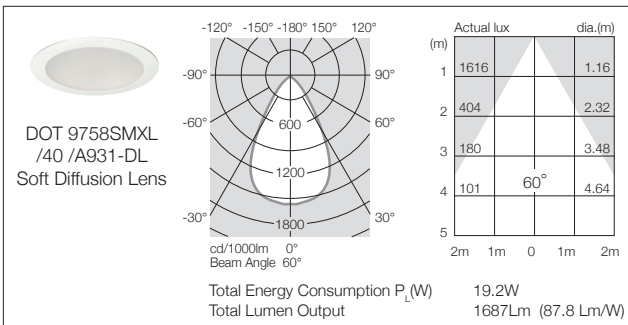
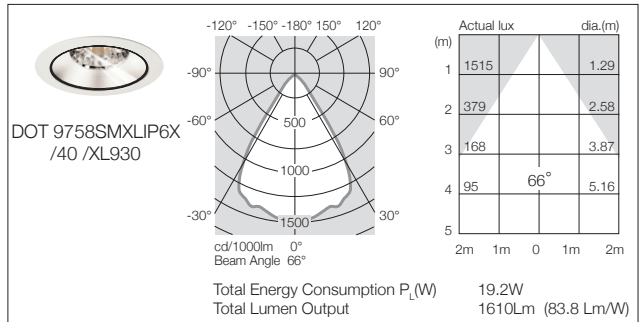
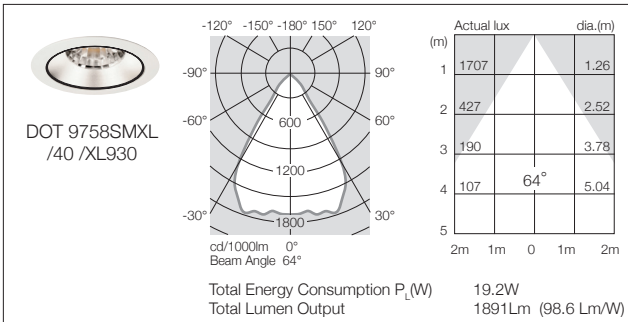
<p>Round Clear Lens IP54</p>  <p><b>XL931-CL/SA</b></p>	<p>Round Clear Lens IP54</p>  <p><b>A931-DL/SA</b></p>	<p>Round Soft Diffusion Lens IP54</p>  <p><b>A931-DL/SA</b></p>	<p>Round Washlight Lens IP54</p>  <p><b>A933/SA</b></p>
--	---	---	--

TORX   
tamperproof  
fasteners

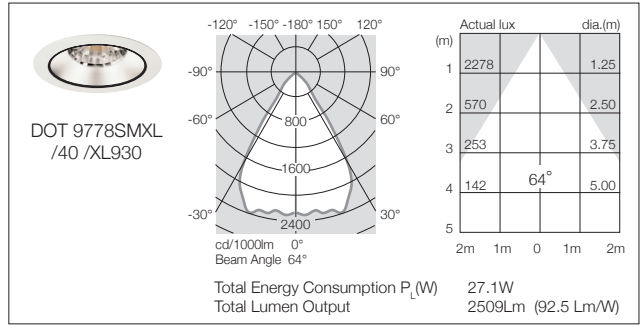
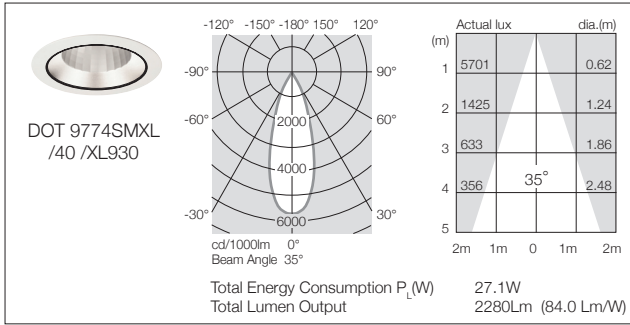
350 mA  
CREE CXA  
LED



500 mA  
CREE CXA  
LED



700 mA  
CREE CXA  
LED



900 mA  
CREE CXA  
LED

