



Innovative and intuitive lighting control

**LEDsmart<sup>+</sup><sub>TM</sub>**  
**Digital Level**  
**Display<sup>TM</sup>**

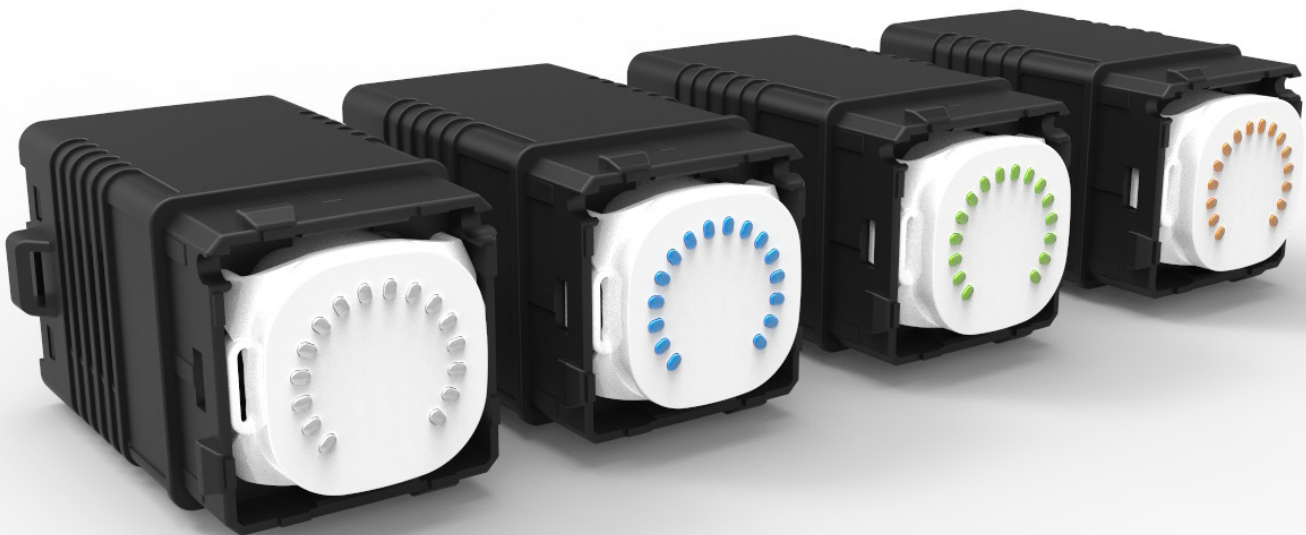


LEDsmart<sup>+</sup> Digital Level Display™

# INNOVATIVE AND INTUITIVE

Controlling the atmosphere within a lighting space just got clever. The **LEDsmart<sup>+</sup> Digital Level Display™** offers an intuitive interface that enables a user to easily set light levels from the LED lit switch unit.

With the ability to change the LED display colour from white to orange, green or blue, the **LEDsmart<sup>+</sup> Digital Level Display™** offers customisation to make your lighting requirements enjoyable and easy.





LEDsmart<sup>+</sup> Digital Level Display

## WHERE TO USE

The Digital Level Display is particularly suitable for use in applications where the lights being dimmed cannot be directly seen from the dimming location.

A perfect edition for users to simply lighting control in such places as hotels, motels, clubs, aged care facilities, museums galleries, restaurants, retail stores, theatres, cinemas, and homes!

The following examples indicate the typical levels displayed on the Digital Level Display.



DIMMER **OFF**



DIMMER @ **MINIMUM**



DIMMER @ **50%**



DIMMER @ **MAXIMUM**

LEDsmart<sup>+</sup> Digital Level Display

## PRODUCT FEATURES

Simply connects in parallel with a dimmer (any 2-wire dimmer and some 3-wire dimmers)

2-wire device, Active and Load connections only, no Neutral required

Compatible with Diginet's MEDM, LEDsmart<sup>+</sup> and Sitara™ Bluetooth® Dimmers

Includes light pipes to change the LED indicators from white to orange, green or blue

Fits standard Australian wall plate apertures



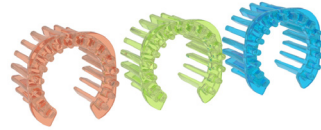
# PACKAGE CONTENTS



Digital Level Display with clear light pipe and white front cover



Alternative front cover with light globe icon



Alternative orange, green and blue light pipes

**The following are also included in the product package**

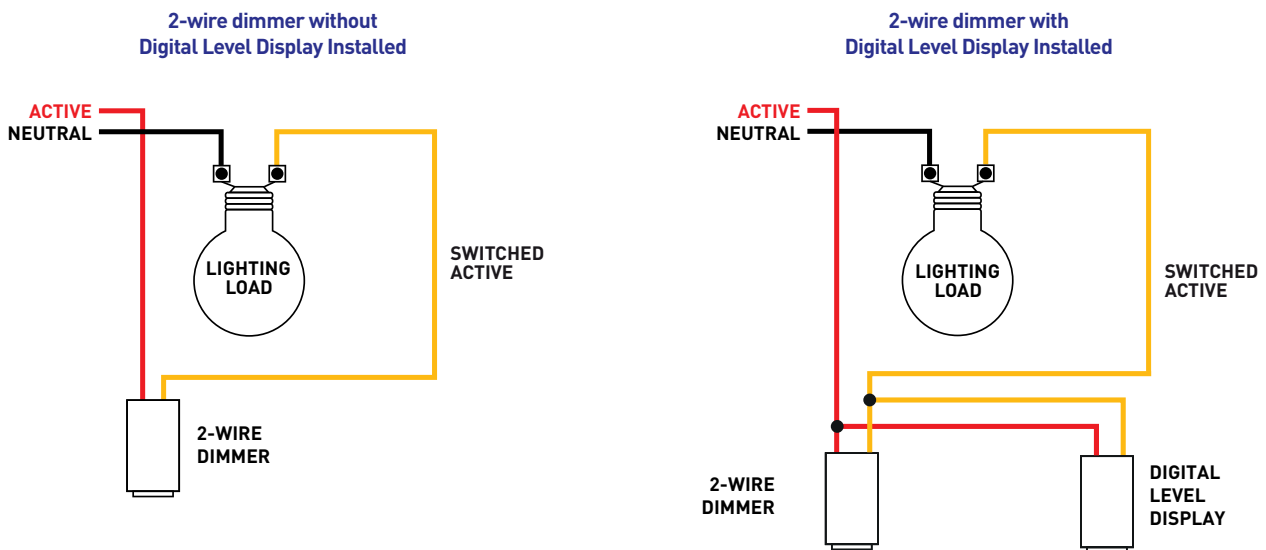
- 1 x Terminal block
- 2 x cables ties (for attaching the terminal block to the rear of the Digital Level Display)
- 1 x 'Megger testing' warning label
- Installation guide

LEDsmart<sup>+</sup> Rotary dimmer (Part Number MMDM/RT) needs to be ordered separately.

# SIMPLE WIRING

The Digital Level Display has the flexibility to be used with commonly available dimmers on the market, connecting in parallel with any 2-wire and some 3-wire phase angle dimmers. It displays the current dimming level via an array of 16 x white LED's. When the dimming level is changed by a user (from a connected dimmer), the displayed LED changes accordingly.

The Digital Level Display is wired in parallel with a 2-wire dimmer, between Active and Load, as shown in the diagram below.



For more information, contact your local electrical wholesaler or visit [gerardlighting.com.au](http://gerardlighting.com.au)