

ARTERIAL ATO LED

CATEGORY V LED LUMINAIRE

A high-performance, energy efficient solution for local, collector and major roadways; the Arterial is also suitable for car parks and area lighting applications. High efficiency LED technology and precision-engineered optics provide exceptional illumination while providing the opportunity to maximise spacing while also saving energy. Design to work seamlessly with NEMA control systems to maximise energy and maintenance savings through enhanced monitoring and control functions, the Arterial is a proven smart city solution.



PERFORMANCE SUMMARY

- Performance is comparable to 70-200W HPS roadway luminaires.
- CCT: 4000K as standard
- CRI >70
- IP66 rated LED light engines provide 0% uplight and restricts backlight to within sidewalk depth, providing optimal application coverage and optimal pole spacing.
- Available in Type II, III, IV, and V roadway distributions.
- Wildlife shield is cast into the housing (not a separate piece).
- Robust Surge Protection: Three different surge protection options provide a minimum of IEEE/ANSI C62.41 Category C (10kV/5kA) protection.
- NEMA 3 pin photocontrol receptacle is standard, with 5 pin and 7 pin receptacles optional.
- Optional onboard Adjustable Output module allows the light output and input wattage to be modified to meet site specific requirements, and also can allow a single fixture to be flexibly applied in many different applications.
- Complies with AS/NZS 60598, CISPR 15 EMC, AS/NZS 1158.6, ANSI: C136.2, C136.10, C136.14, C136.31, C136.15, C136.37



Where innovation comes to light



ARTERIAL ATO LED (cont.)

SPECIFICATIONS

Electrical Characteristics:

- Input Voltage: 220V-240V – 50Hz/60Hz
- Power Factor: 0.9
- System watts: 48W-104W
- Robust Surge Protection: minimum of IEEE/ANSI C62.41 Category C (10kV/5kA) protection. 20kV/10kA protection is also available.

Optical Characteristics:

- CCT: Available in 4000K as standard, 3000K and 5000K optional
- CRI: > 70
- Optical chamber independently sealed to IP66
- One for one replacement for traditional light sources 70W to 200W HPS/MH & MV (depending on wattage)
- 0% uplight
- Available in Type II, III, IV, and V roadway distributions
- IP66 optical chamber, IP43 gear chamber

Mechanical Characteristics:

- Rugged die-cast aluminum housing and door are polyester powder-coated for durability and corrosion resistance
- Tool-less entry.
- Bubble level located inside the electrical compartment for easily leveling at installation
- Rigorous five-stage pre-treating and painting process yields a finish that achieves a scribe creepage rating of 8 (per ASTM D1654) after over 1000 hours exposure to salt fog chamber (operated per ASTM B117). Optional Enhanced Corrosion Resistant finish (CR) increases the salt spray exposure over 5000 hours.
- Wildlife shield is cast into the housing (not a separate piece).
- Mast arm mount is adjustable for arms from 1-1/4" to 2" (1-5/8" to 2-3/8" O.D.) diameter.
- Weight: 7.0kg

Control Characteristics:

- Dimming: DALI or 1-10V Control.
- NEMA 3 pin base as standard; 5, 7pin base option available*

Environmental & Standards:

- Ambient Operation Temps: to 40° C
- Ingress protection for weather proofing
- EMC compliant: AS/NZS CISPR15, EN/IEC 61000-3-2, EN/IEC 61000-3-3 Immunity EN61547.
- Complies to Technical Spec SA/SNZ TS 1158.6 –Luminaires Performance

Options

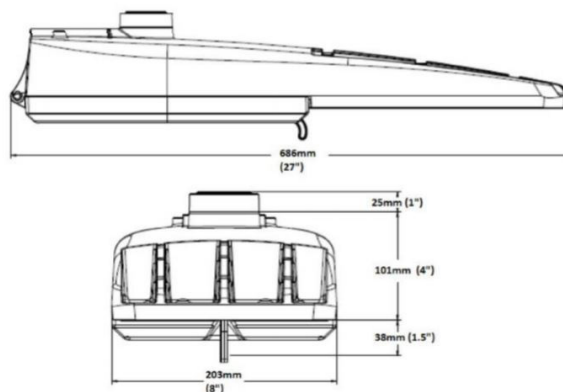
- CCT: 3000K and 5000K available
- Surge protection device to 20kV/10kA protection

SMART CITY SOLUTIONS*

- LOWPAN6, ZIGBEE, LORAWAN, NBIOT technologies
- Devices & sensors for smart city applications
- Customised platform integration

*Please consult your Gerard Lighting representative for the full range of viable control options for your project.

LINE DRAWINGS



Effective Projected Area (EPA): The EPA for the ATO is 0.76 sq. ft.
Approx. Wt. = 7kgs

N.B. All dimensions in mm

Where innovation comes to light



PHOTOMETRICS

Please contact your Roadway & Infrastructure Lighting representative for photometric information specific to your project.

ORDER CODES

Product Code	Name	Dimensions (mm) H x W x L	Mass (kg)	Beam Distribution	System Power (W)	Colour Temperature	Electrical Rating	Installation Type	Dimming Technology	PE Cell Base Type
AT03B10R502L104	ENG ARTERIAL0 104W 4K BLANKP R5 SPD	139 x 203 x 686	7.0	TYPE V	104	4000K	Class I	Spigot Entry	1-10Vdc	N/A
AT03B10R202L104	ENG ARTERIAL0 104W 4K BLANKP R2 SPD	139 x 203 x 686	7.0	TYPE II	104	4000K	Class I	Spigot Entry	1-10Vdc	N/A
AT03B10R402L104	ENG ARTERIAL0 104W 4K BLANKP R4 SPD	139 x 203 x 686	7.0	TYPE IV	104	4000K	Class I	Spigot Entry	1-10Vdc	N/A
AT03B10R302L104	ENG ARTERIAL0 104W 4K BLANKP R3 SPD	139 x 203 x 686	7.0	TYPE III	104	4000K	Class I	Spigot Entry	1-10Vdc	N/A
AT03B10R201L104	ENG ARTERIAL0 104W 4K PEBN7 R2 SPD	139 x 203 x 686	7.0	TYPE II	104	4000K	Class I	Spigot Entry	1-10Vdc	NEMA 7 pin
AT03B10R301L104	ENG ARTERIAL0 104W 4K PEBN7 R3 SPD	139 x 203 x 686	7.0	TYPE III	104	4000K	Class I	Spigot Entry	1-10Vdc	NEMA 7 pin
AT03B10R401L104	ENG ARTERIAL0 104W 4K PEBN7 R4 SPD	139 x 203 x 686	7.0	TYPE IV	104	4000K	Class I	Spigot Entry	1-10Vdc	NEMA 7 pin
AT03B10R501L104	ENG ARTERIAL0 104W 4K PEBN7 R5 SPD	139 x 203 x 686	7.0	TYPE V	104	4000K	Class I	Spigot Entry	1-10Vdc	NEMA 7 pin
AT02B70R202L48	ENG ARTERIAL0 48W 4K BLANKP R2 SPD	139 x 203 x 686	7.0	TYPE II	48	4000K	Class I	Spigot Entry	1-10Vdc	N/A
AT02B70R302L48	ENG ARTERIAL0 48W 4K BLANKP R3 SPD	139 x 203 x 686	7.0	TYPE III	48	4000K	Class I	Spigot Entry	1-10Vdc	N/A
AT02B70R402L48	ENG ARTERIAL0 48W 4K BLANKP R4 SPD	139 x 203 x 686	7.0	TYPE IV	48	4000K	Class I	Spigot Entry	1-10Vdc	N/A
AT02B70R502L48	ENG ARTERIAL0 48W 4K BLANKP R5 SPD	139 x 203 x 686	7.0	TYPE V	48	4000K	Class I	Spigot Entry	1-10Vdc	N/A
AT02B70R201L48	ENG ARTERIAL0 48W 4K PEBN7 R2 SPD	139 x 203 x 686	7.0	TYPE II	48	4000K	Class I	Spigot Entry	1-10Vdc	NEMA 7 pin
AT02B70R301L48	ENG ARTERIAL0 48W 4K PEBN7 R3 SPD	139 x 203 x 686	7.0	TYPE III	48	4000K	Class I	Spigot Entry	1-10Vdc	NEMA 7 pin
AT02B70R501L48	ENG ARTERIAL0 48W 4K PEBN7 R5 SPD	139 x 203 x 686	7.0	TYPE V	48	4000K	Class I	Spigot Entry	1-10Vdc	NEMA 7 pin
AT02B10R202L72	ENG ARTERIAL0 72W 4K BLANKP R2 SPD	139 x 203 x 686	7.0	TYPE II	72	4000K	Class I	Spigot Entry	1-10Vdc	N/A
AT02B10R302L72	ENG ARTERIAL0 72W 4K BLANKP R3 SPD	139 x 203 x 686	7.0	TYPE III	72	4000K	Class I	Spigot Entry	1-10Vdc	N/A
AT02B10R402L72	ENG ARTERIAL0 72W 4K BLANKP R4 SPD	139 x 203 x 686	7.0	TYPE IV	72	4000K	Class I	Spigot Entry	1-10Vdc	N/A
AT02B10R502L72	ENG ARTERIAL0 72W 4K BLANKP R5 SPD	139 x 203 x 686	7.0	TYPE V	72	4000K	Class I	Spigot Entry	1-10Vdc	N/A
AT02B10R201L72	ENG ARTERIAL0 72W 4K PEBN7 R2 SPD	139 x 203 x 686	7.0	TYPE II	72	4000K	Class I	Spigot Entry	1-10Vdc	NEMA 7 pin
AT02B10R301L72	ENG ARTERIAL0 72W 4K PEBN7 R3 SPD	139 x 203 x 686	7.0	TYPE III	72	4000K	Class I	Spigot Entry	1-10Vdc	NEMA 7 pin
AT02B10R401L72	ENG ARTERIAL0 72W 4K PEBN7 R4 SPD	139 x 203 x 686	7.0	TYPE IV	72	4000K	Class I	Spigot Entry	1-10Vdc	NEMA 7 pin
AT02B10R501L72	ENG ARTERIAL0 72W 4K PEBN7 R5 SPD	139 x 203 x 686	7.0	TYPE V	72	4000K	Class I	Spigot Entry	1-10Vdc	NEMA 7 pin

The above codes are for standard offering only. For additional options or product configurations, please consult your Gerard Lighting consultant.



Where innovation comes to light