

LEDsmart⁺™ Rotary Disc and Wall Mounting Kit

Elegant interface for LEDsmart⁺ Rotary Dimmers



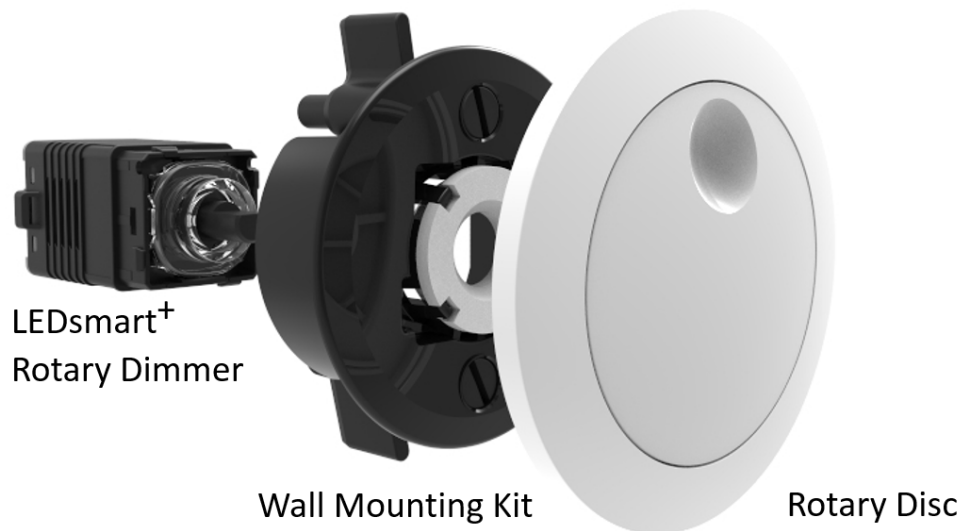
Designed in Australia to meet
Australian Standards and
installation conditions



Introduction

Product Summary

This Rotary Disc and Wall Mounting Kit, item number MMCE/RT, is suitable for use with LEDsmart⁺ Rotary Dimmers, item number MMDM/RT. It is mounted directly into a Gyprock™ wall, with no additional wall plate required. This provides an elegant circular interface for LEDsmart⁺ Rotary Dimmers, with a visible diameter of only 56mm.



A Diginet LEDsmart⁺ Rotary Dimmer is not included with this product. Rotary Dimmer Item Number MMDM/RT must be purchased separately.

Product Features

- Provides an elegant interface for LEDsmart⁺ Rotary Dimmers
- Only the 56mm Rotary Disc is visible on the wall – no additional wall plate is needed
- Provides an interface for both rotary dimming and push on/off control (via a Diginet LEDsmart⁺ Rotary Dimmer with integrated on/off switch)
- Choice of two Rotary Discs included – white and white/faux glass
- 'Adaptor Base' included to allow 3rd party designed and manufactured Rotary Discs to be used (See page 9)

Important Notes and Safety Information

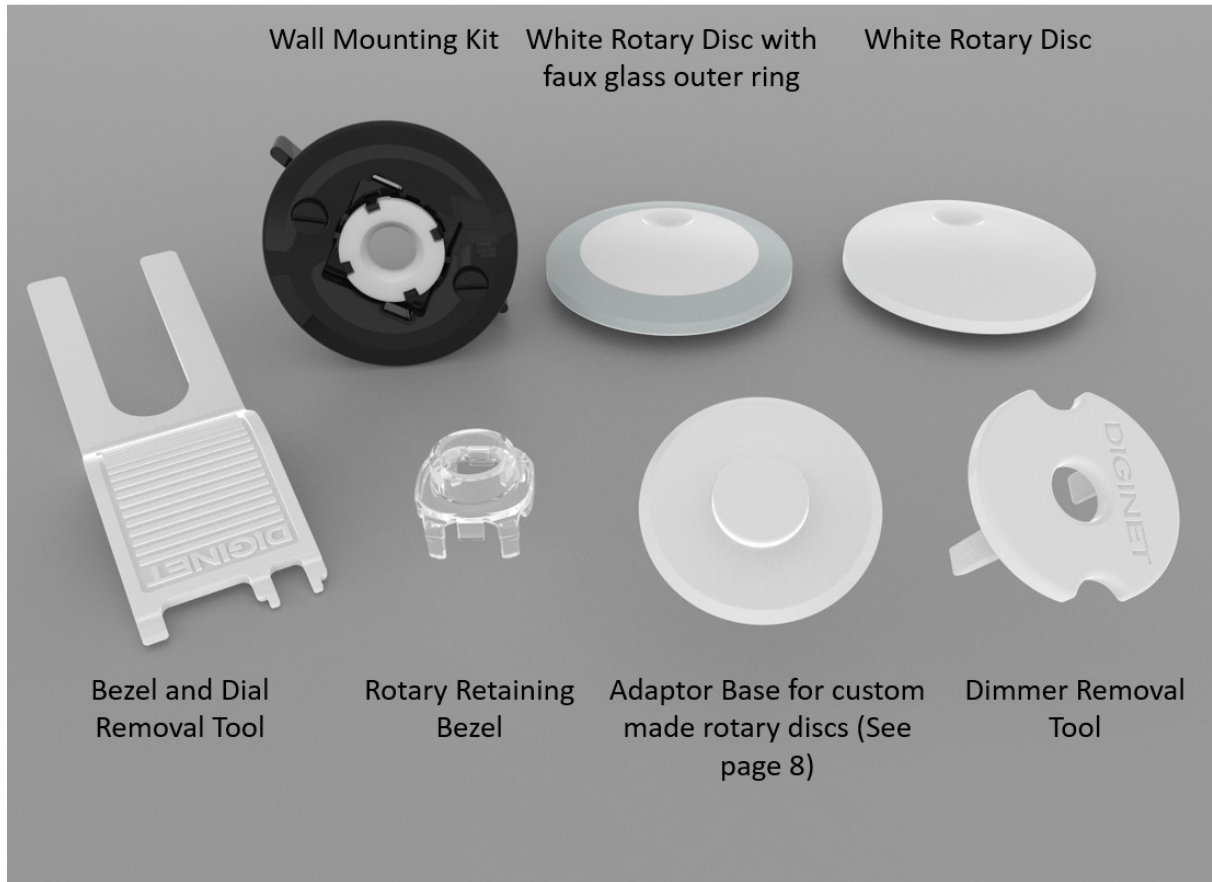


Electric shock may result in serious injury or death. Follow all warnings in this guide and the LEDsmart⁺ Rotary Dimmer installation guide while working in accordance with the latest electrical safety practices.

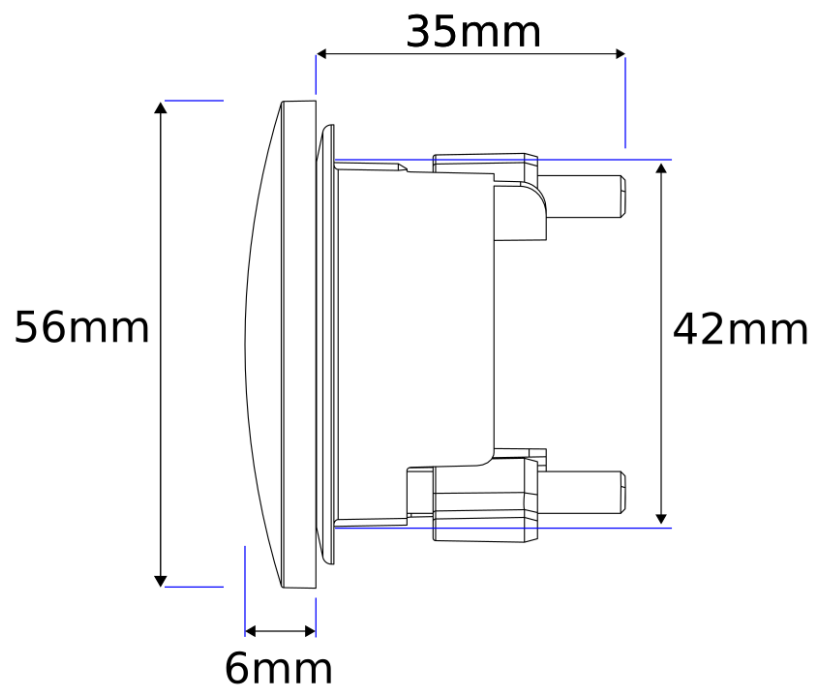
Connecting an LEDsmart⁺ Dimmer to mains must be carried out by a suitably qualified installer who must work in accordance with standard safety procedures for mains-powered electrical equipment.

- The product is intended for indoor use only
- Consult the LEDsmart⁺ Rotary Dimmer Instruction Guide for the dimmer installation
- If you require information or assistance regarding the installation, configuration, or operation of this product, contact Technical Support at Gerard Lighting. See rear page for contact details

Package Contents



Dimensions

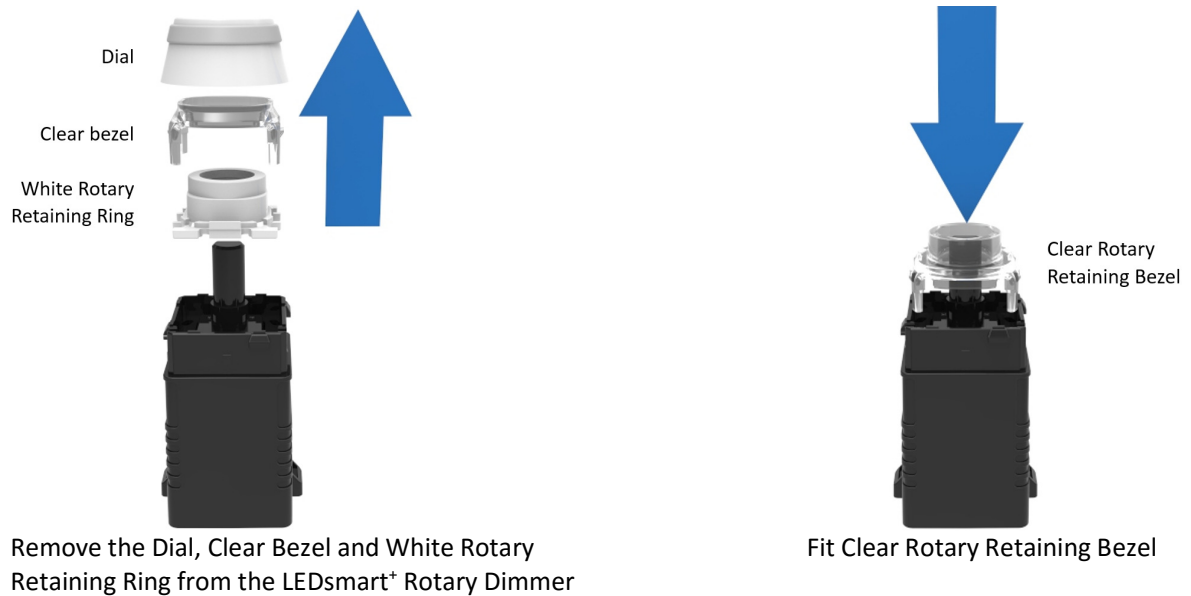


Installation

Preparing the LEDsmart⁺ Rotary Dimmer

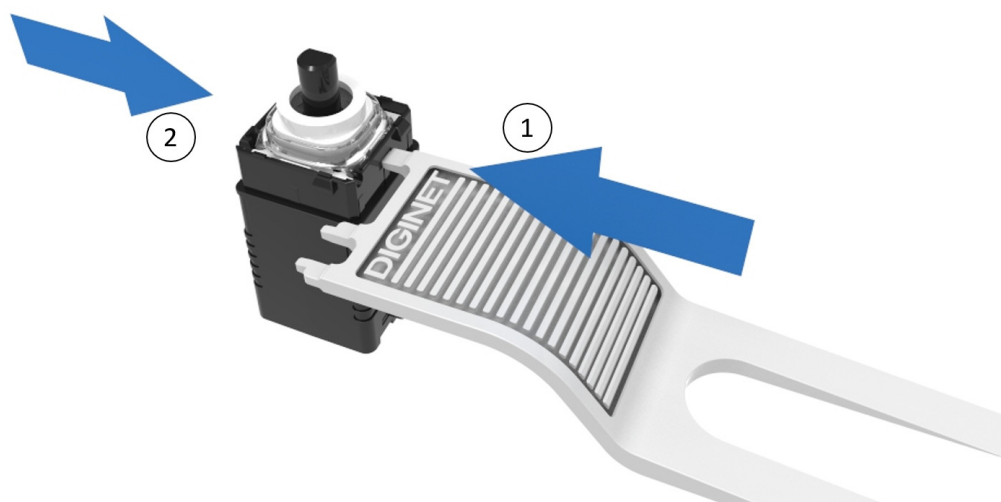
As shown below (left), the Dial, Bezel and Rotary Retaining Ring pre-fitted to a LEDsmart⁺ Rotary Dimmer need to be removed before it can be fitted in the Wall Mounting kit. These parts can easily be removed from the dimmer using the Bezel/Dial Removal Tool included with the packaging.

When these have been removed, the supplied Clear Rotary Retaining Bezel should be fitted as shown below (right).



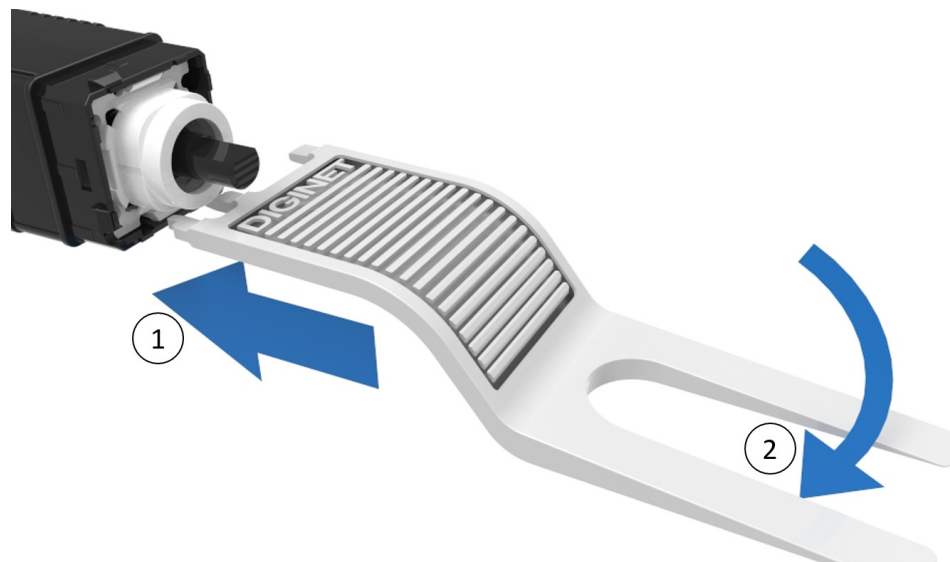
Removing the Clear Bezel

1. Use the Bezel and Dial Removal Tool to engage with the slot on the side of dimmer housing, as shown below
2. Push the tool into the slot until the Clear Bezel releases from the housing. **Repeat** the process on the other side of the housing
3. The clear bezel can now be lifted to remove it from the housing



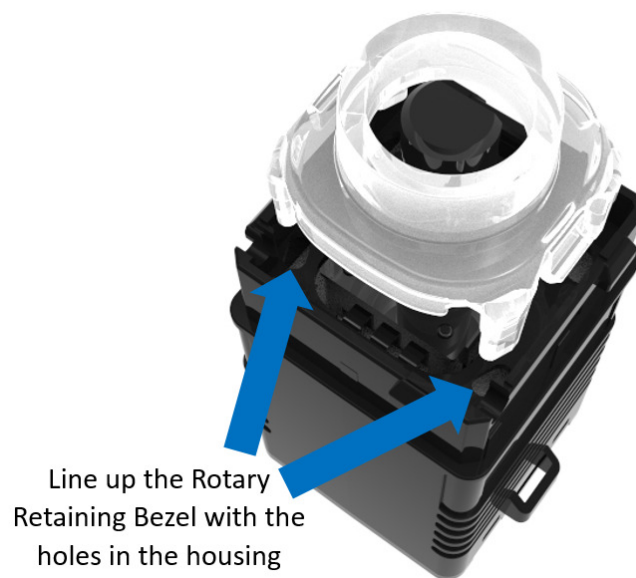
Removing the White Rotary Retaining Ring

1. Use the Bezel and Dial Removal tool to engage with the two holes in the white Rotary Retaining Ring, as shown below
2. Firmly push the tool into the two holes, then rotate the tool away from the housing to release the Rotary Retaining Ring. Repeat the process on the other side of the housing
3. The White Rotary Retaining Ring can now be lifted to remove it from the housing



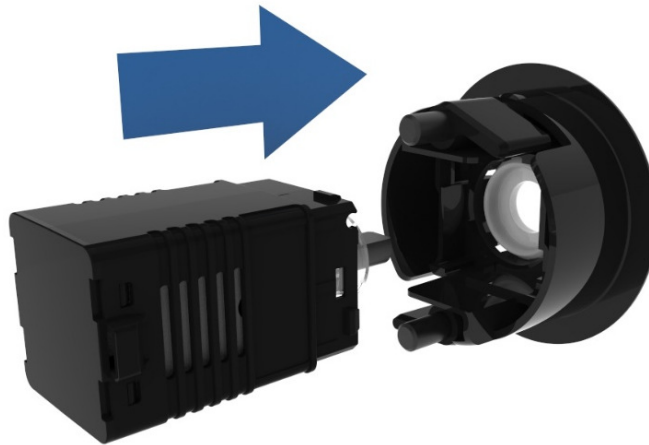
Fitting the Clear Rotary Retaining Bezel

1. Place the supplied Clear Rotary Retaining Bezel into the dimmer housing, ensuring the four bezel legs line up with the bezel retaining holes in the housing
2. Push the bezel firmly until it clicks into place



Mounting the LEDsmart⁺ Rotary dimmer in the Wall Mounting Kit

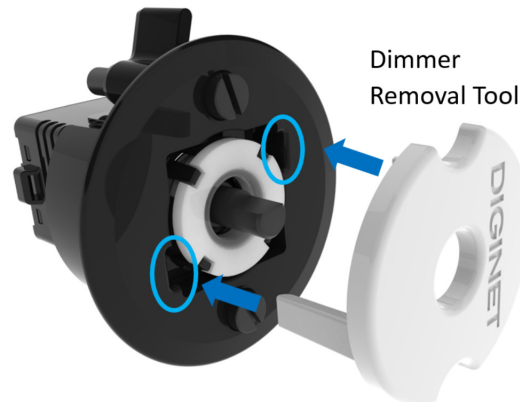
As show below, push the LEDsmart⁺ Rotary Dimmer firmly into rear of the Wall Mounting Kit until it snaps into place. Note that the Dimmer is not keyed and can be installed in any orientation.



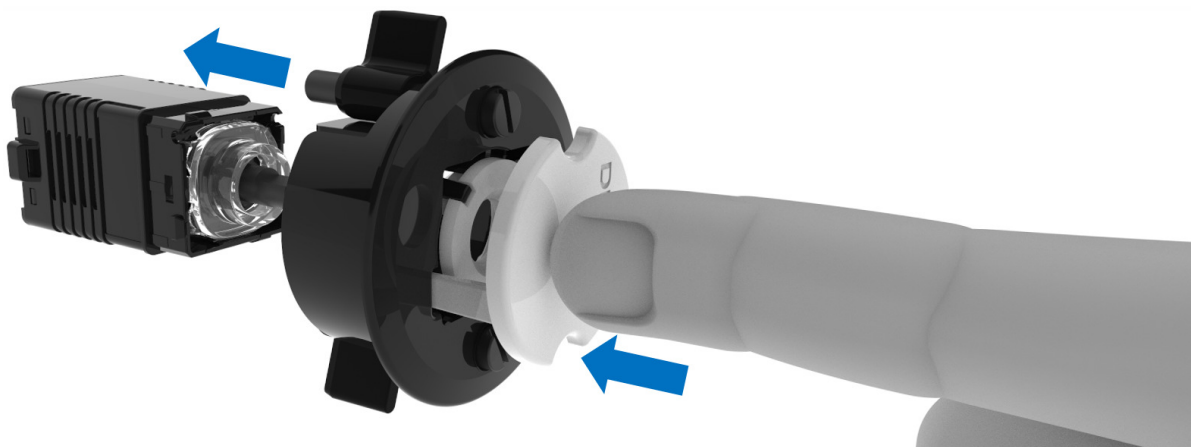
Removing the LEDsmart⁺ Rotary Dimmer from the Wall Mounting Kit

If it is necessary to remove the LEDsmart⁺ Rotary Dimmer from the Wall Mounting Kit at any time, the Dimmer Removal Tool included in the packaging can be used to easily separate the two.

To remove the dimmer, the Dimmer Removal Tool is inserted into the front of the Wall Mounting Kit as shown below, ensuring that the two legs of the tool line up with the key slots in the Wall Mounting Kit.



Firmly push the front of the tool, as shown below. This will disengage the dimmer.



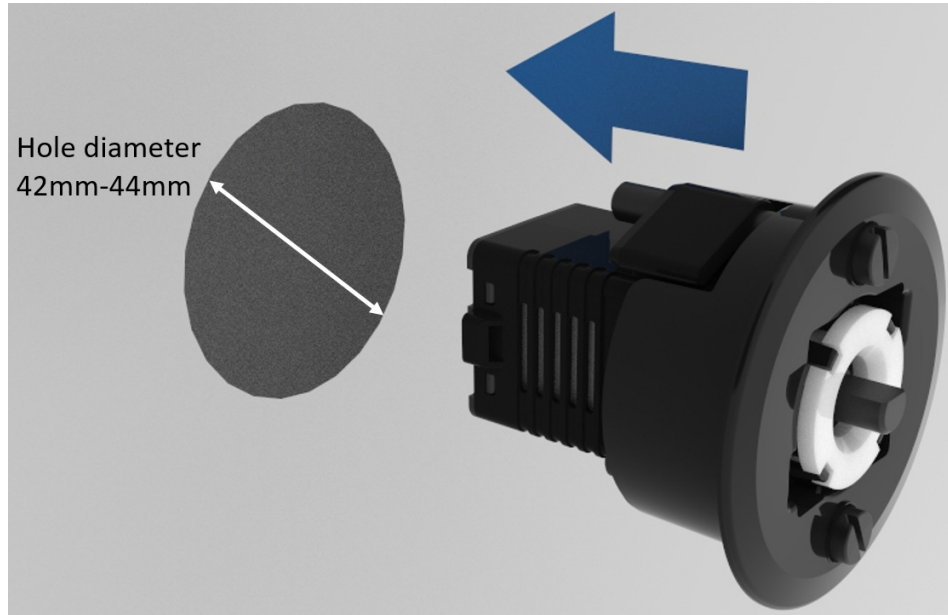
Installing the Wall Mounting Kit and dimmer assembly

1. Cut a circular hole with a diameter of between 42mm and 44mm in the Gyprock™ wall at the required position
2. Wire the LEDsmart⁺ Rotary Dimmer according to the user guide supplied with the dimmer

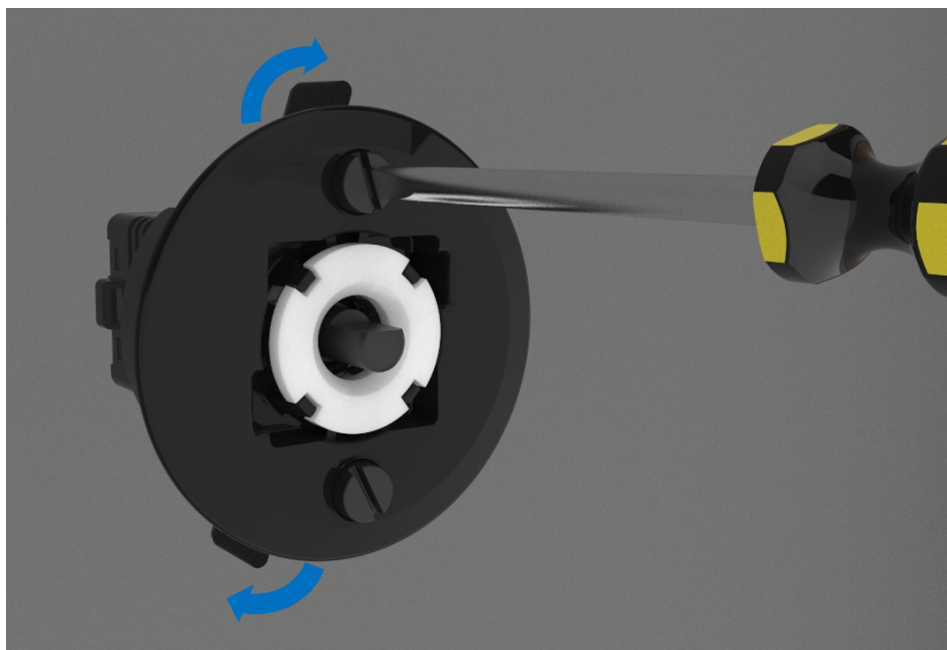


If multiple Rotary Discs are required to be installed at the same location, a template is provided on page 11 of this guide to aid in setting out mounting-hole centres.

3. The Wall Mounting Kit and dimmer assembly can now be placed in the wall

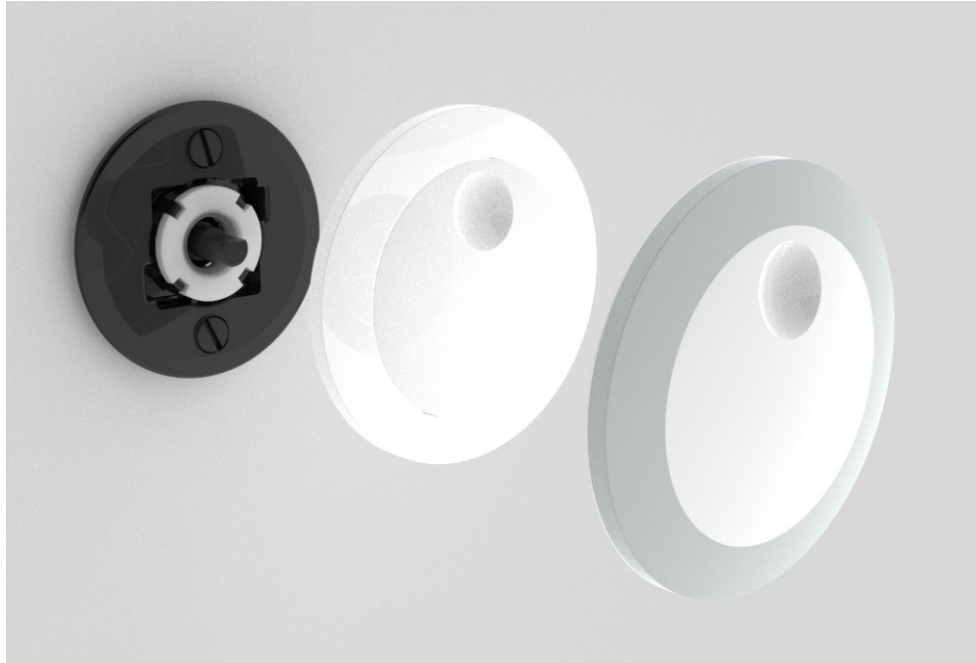


4. Tighten the two mounting screws to rotate and tighten the mounting flaps against the rear surface of the Gyprock™



Installing the Rotary Disc

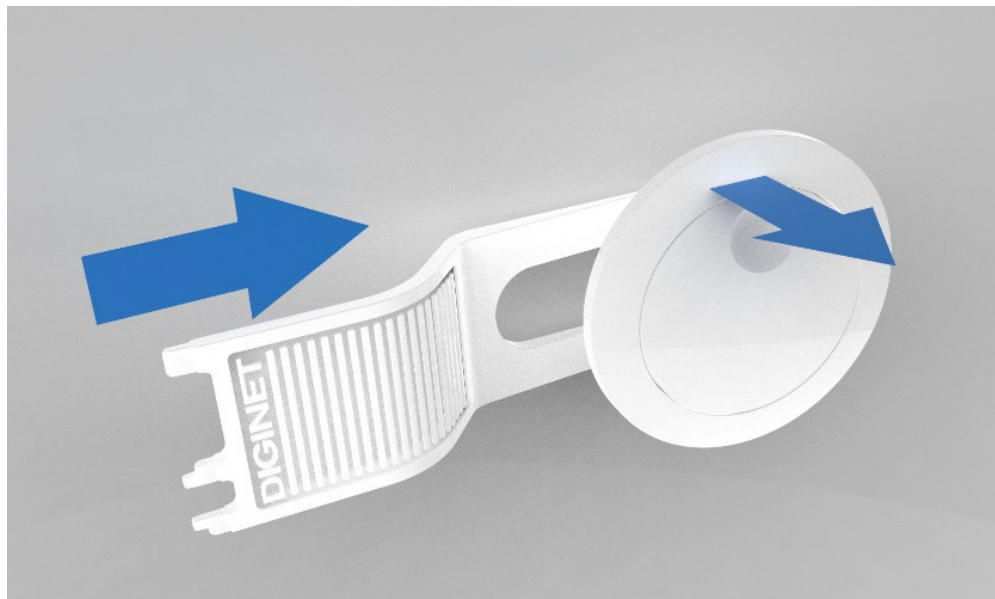
A choice of two Rotary Discs is provided, and either one of these can now be installed. The Rotary Discs are a simple push fit onto the dimmer's rotary shaft. Note that the shaft is keyed and the Rotary Disc needs to be lined up appropriately before it can be pushed onto the dimmer shaft.



The Rotary Disc will need to be removed to setup the LEDsmart⁺ Rotary Dimmer (minimum dimming level, maximum dimming level, indicator setting, etc). See the LEDsmart⁺ Rotary Dimmer Setup Guide for further information.

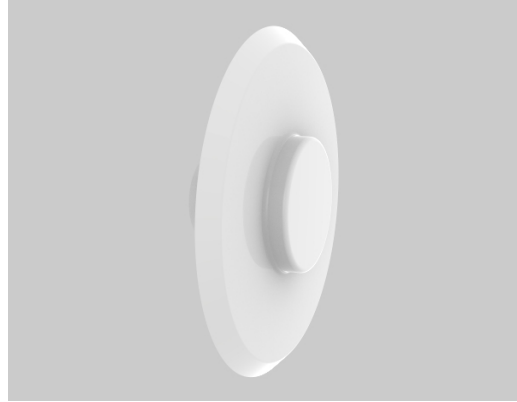
Removing the Rotary Disc

Once the Rotary Disc has been installed, it can be easily removed using the included 'Bezel and Dial Removal Tool', as shown below.

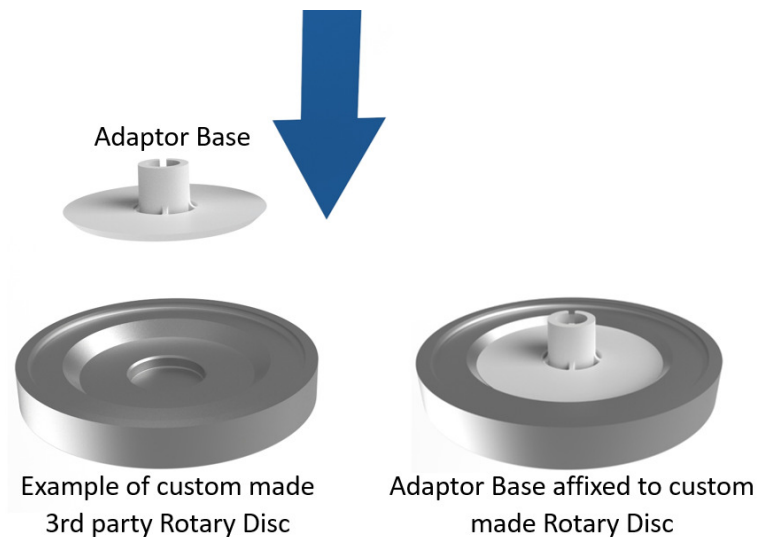


Using 3rd Party Custom Rotary Discs

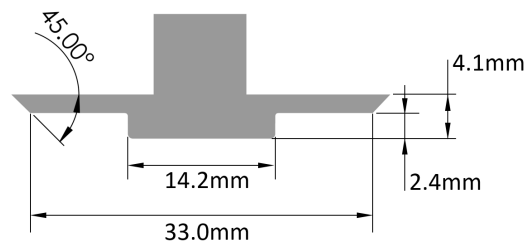
The Adaptor Base shown below can be used to enable 3rd party custom designed and manufactured Rotary Discs to be used with the Wall Mounting Kit and LEDsmart⁺ Rotary Dimmer.



The Adaptor Base is designed to be affixed to the rear of a custom manufactured Rotary Disc, as shown in the example below.



Adaptor Base Dimensions



If intending to design and manufacture custom Rotary Discs, please contact Gerard Lighting for detailed information for mechanical design requirements.

Product warranty

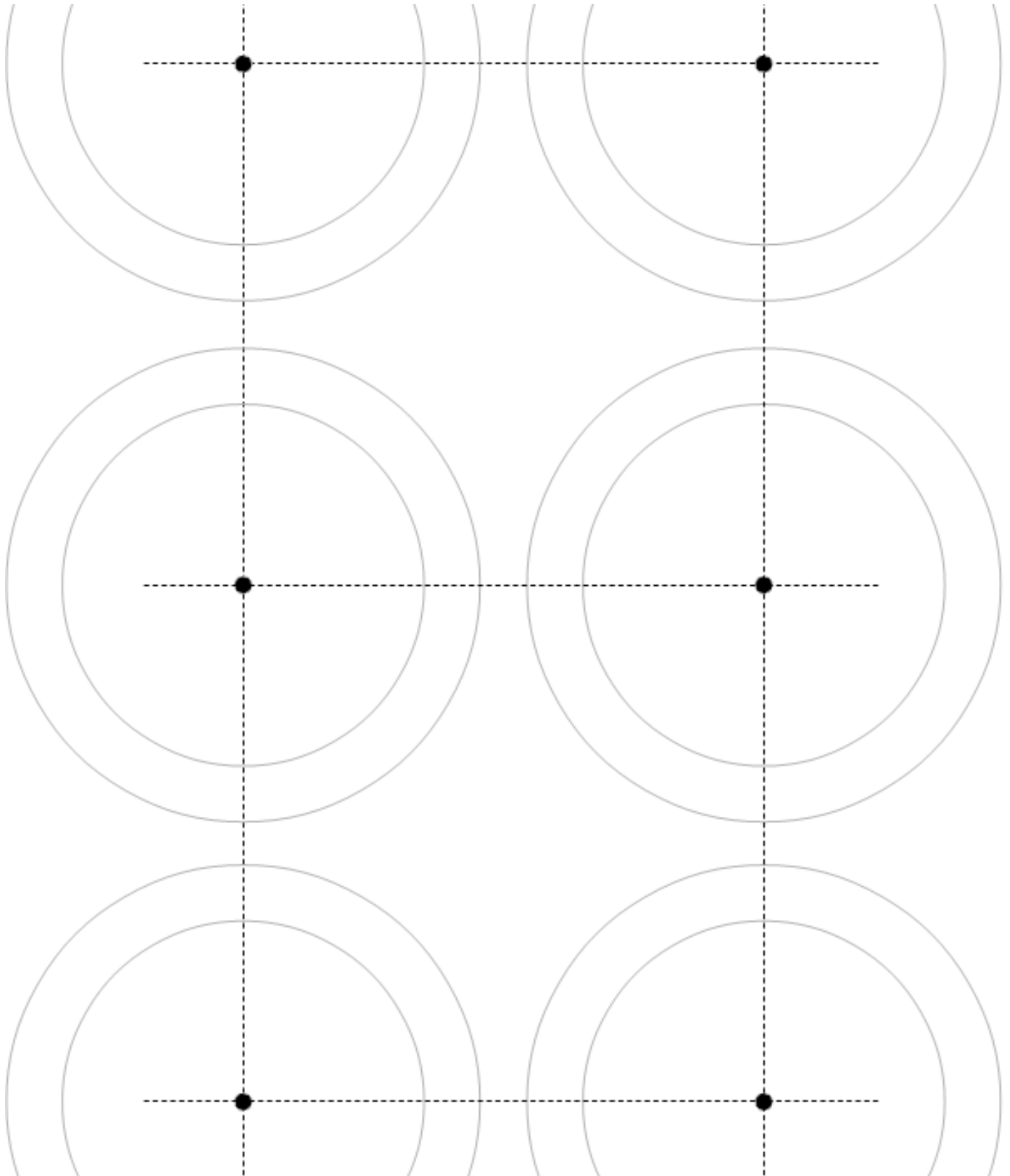
This product, item number MMCE/RT, has a two-year warranty against manufacturing defects in accordance with the following terms:

1. Nothing in this Warranty affects any person's rights under the Australian Consumer Law. The benefits to any person under the Gerard Lighting Warranty are in addition to the rights and remedies available under any Consumer Guarantees.
2. Subject to the other clauses of this Warranty, Gerard Lighting warrants that the Goods will be free of manufacturing defects and will perform to Gerard Lighting's specifications.
3. The benefit of the Gerard Lighting Warranty extends only to the owner of the property in which the Goods are installed (the Owner) for two (2) years after the date of purchase (Warranty Period).
4. If within the Warranty Period the Goods fail to perform to Gerard Lighting's specifications as a result of some defect in material or workmanship in the Goods (Defect) then Gerard Lighting will, at its option, repair the Goods or supply replacement Goods free of charge.
5. The Gerard Lighting Warranty will not apply to Goods:
 - 5.1. installed by any person other than a qualified tradesperson; or
 - 5.2. subjected to misuse, neglect, negligence or accidental damage; or
 - 5.3. operated in any way contrary to any operating or maintenance instructions; or
 - 5.4. improperly handled, installed or maintained; or
 - 5.5. altered or modified prior to or after installation.
6. The Gerard Lighting Warranty does not apply to faulty or defective design of Goods unless Gerard Lighting has designed the Goods and Gerard Lighting expressly accepts responsibility for such design in writing.
7. In order to make a claim under the Gerard Lighting Warranty, the Owner must:
 - 7.1. contact Gerard Lighting to obtain a Returned Goods Authorisation Number for the Goods and to be notified of Gerard Lighting's return address for the Goods by:
 - 7.1.1. freecall 1300 95 DALI (3254); or
 - 7.1.2. post to PO Box 314, Padstow NSW 2211; or
 - 7.1.3. fax to 1300 95 3257; or
 - 7.1.4. email to sales@dignet.net.au.
 - 7.2. return the Goods at the Owners expense to the return address notified by Gerard Lighting together with all accessories, instructions, specifications or other material supplied with the Goods and a notice in writing:
 - 7.2.1. stating the Returned Goods Authorisation Number for the Goods;
 - 7.2.2. describing in detail the defect or fault in the Goods;
 - 7.2.3. setting out the Owner's contact details (including postal address, email address and telephone numbers at which the Owner can be contacted during usual business hours).
 - 7.3. Gerard Lighting will not accept any returned Goods which have not been returned strictly in accordance with the above instructions.
8. Gerard Lighting will examine any returned Goods and if Gerard Lighting determines that they are defective through no fault of the Owner and are otherwise undamaged, Gerard Lighting will repair or replace the Goods free of charge.
9. Gerard Lighting will notify the Owner whether it accepts the Goods are defective within a reasonable time of return.
10. Gerard Lighting will not be responsible for any costs of de-installation, re-installation, returning Goods or for redelivery of the Goods (whether original or repaired and/or replacement Goods) by Gerard Lighting and any other related expenses of the Owner in claiming under the Gerard Lighting Warranty.
11. Gerard Lighting will not be responsible for any loss or damage to the Goods occurring while the Goods are in transit (either on return to Gerard Lighting or upon redelivery to the Owner of the original or repaired and/or replacement Goods).
12. Gerard Lighting will not be responsible (whether arising in contract or tort (including negligence) or under any statute) for any special, indirect, incidental, consequential or economic losses or damages (including loss of data, business, profits, revenue, anticipated savings, bargain, opportunity or goodwill) whether or not the possibility of those losses or damages being suffered had been brought to the attention of Gerard Lighting.

The Australian Consumer Law requires the inclusion of the following statement with the Gerard Lighting Warranty:

Our goods come with guarantees that cannot be excluded under the Australian Consumer Law. You are entitled to a replacement or refund for a major failure and for compensation for any other reasonably foreseeable loss or damage. You are also entitled to have the goods repaired or replaced if the goods fail to be of acceptable quality and the failure does not amount to a major failure.

Cut-out template for aligning multiple Rotary Discs



Gerard Lighting Pty Ltd (Gerard Lighting) reserves the right to alter the specifications, designs or other features of any items and to discontinue any items at any time without notice and without liability. While every effort is made to ensure that all information in this user and installation guide is correct, no warranty of accuracy is given and Gerard Lighting shall not be liable for any error

The identified trademarks and copyrights are the property of Gerard Lighting unless otherwise noted

Gyprock is a Trademark of CSR Building Products Limited

© Copyright

This user and installation guide is copyright to Gerard Lighting. Except as permitted under relevant law, no part of this user and installation guide may be reproduced by any process without written permission of and acknowledgement to Gerard Lighting

Diginet is a brand of Gerard Lighting

April 2017

Printed on recycled paper

WWW.DIGINET.NET.AU

Product of Gerard Lighting Pty Ltd

ABN – 89 095 788 864

96-112 Gow Street

Padstow NSW 2211

Contact

General Enquiries: 1300 95 DALI (3254) or sales@diginet.net.au

Technical Services: 1300 95 3244 or support@diginet.net.au

Fax: 1300 95 3257