



## Pierlite Stellar LED MKII Lowbay

A strong history and a brighter future

The Pierlite Stellar MKII LED Lowbay luminaire has been created as a powerful, and energy efficient alternative to metal halide lowbay light fixtures. Designed in Australia to deliver significant energy savings, this high performing luminaire builds on the success of the well-known Stellar product range.



# Pierlite Stellar LED MKII Lowbay

Optimised with the latest LED technology, Stellar LED MKII Lowbay is the perfect solution for your Industrial and Commercial lighting needs.

## Features

- Low profile, surface mounted or recessed LED luminaire
- Two colour options - 4000K & 5700K CRI80
- Three wattage options – 115W, 150W and 240W
- High efficiency prismatic acrylic lens producing controlled light distribution and glare control
- Fully gasketed lens fixed to the body minimising the ingress of dust, moisture and insects
- Diffuser secured with stainless steel screws and wire lanyard
- 20mm bushed cable entry in the rear of the body
- Australian designed and manufactured for local conditions
- \*Cut out dimension - outer trim 610mm x 610mm - mounting designed for 100mm thick bondor ceiling

## Benefits

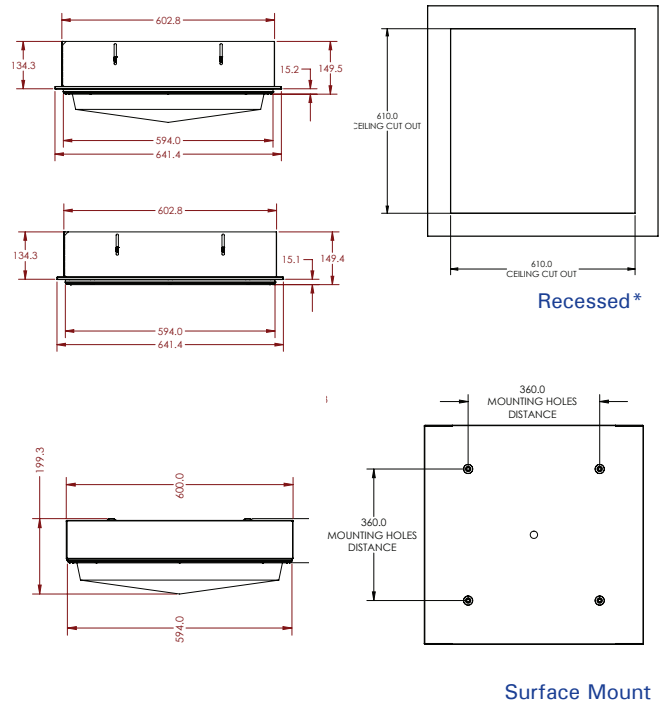
- Ingress protection rating of IP65
- Excellent thermal performance to support a variety of application environments. (Ambient temperature rating of 50° C)
- DALI option available

## Key Applications

Suitable for food processing and packing areas, service station canopies, car parks, retail areas, shopping malls and manufacturing facilities.

## Options

- Flat lens option available – recessed version only
- IK10 option available
- DALI option available



Product Code	Description	Wattage	Lumen	Colour Temp	Dimensions (mm)	Mass (Kg)
STSLED120A84	115W Surface mount 4000K	115W	17,700	4000K	600 x 600 x 200	9.2kg
STSLED120A85	115W Surface mount 5700K	115W	17,700	5700K	600 x 600 x 200	9.2kg
STSLED160A84	150W Surface mount 4000K	150W	22,170	4000K	600 x 600 x 200	9.2kg
STSLED160A85	150W Surface mount 5700K	150W	22,170	5700K	600 x 600 x 200	9.2kg
STSLED240A84	240W Surface mount 4000K	240W	33,085	4000K	600 x 600 x 200	9.2kg
STSLED240A85	240W Surface mount 5700K	240W	33,085	5700K	600 x 600 x 200	9.2kg
STRLED120A84	115W Recessed 4000K	115W	17,700	4000K	641 x 641 x 230*	9.2kg
STRLED120A85	115W Recessed 5700K	115W	17,700	5700K	641 x 641 x 230*	9.2kg
STRLED160A84	150W Recessed 4000K	150W	21,350	4000K	641 x 641 x 230*	9.2kg
STRLED160A85	150W Recessed 5700K	150W	21,350	5700K	641 x 641 x 230*	9.2kg
STRLED240A84	240W Recessed 4000K	240W	31,555	4000K	641 x 641 x 230*	9.2kg
STRLED240A85	240W Recessed 5700K	240W	31,555	5700K	641 x 641 x 230*	9.2kg



\*\*Rated average design life is in accordance with IEC standards. Actual product life may vary dependent upon frequency of maintenance and product application.

